

► **Code Number**
318120

► **Description**
Metal Button Panel Mount (MBPM) Push Button Assembly for use with Sloan Series 900 Hydraulic Flushometers. Recommended for installation on Handicap and similar Stainless Steel Prison Fixtures where a front access panel is provided. Also for use with Sloan Easy Access™ Wall Box when used in locations where extreme vandalism is a concern. Requires access for installation and servicing.

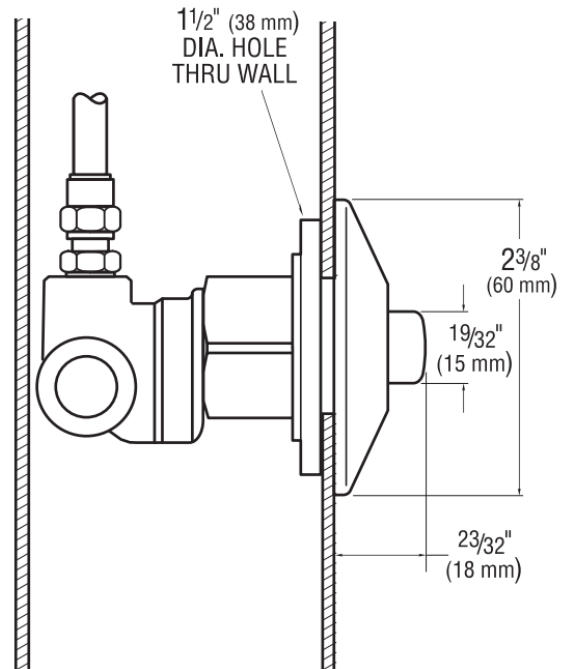
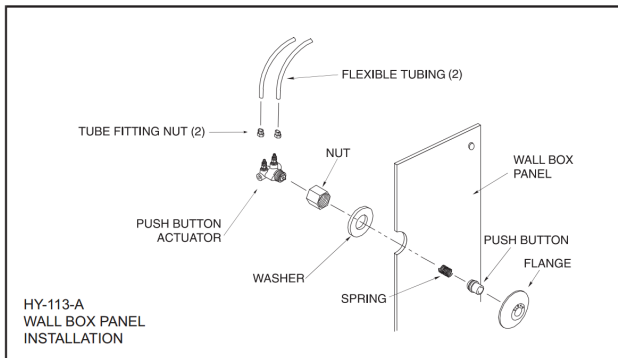
► **Specifications**
Hydraulically Operated Push Button Assembly that includes the following features:

- ADA Compliant Non-Hold-Open feature type Actuator
- Two 24" (914 mm) long flexible tubing for connection to Sloan Series 900 Hydraulic Flushometer"
- Spring Loaded, Metal Button

See Prison Flushometer section of the Sloan catalog for details on Hydraulically Operated Prison Flushometers.

See Hydraulic Flushometer Specification pages in this section for details on Hydraulically Operated Flushometers.

► **ROUGH-IN**



► **Compliance & Certifications**



This space for Architect/Engineer Approval

**SLOAN
REPAIR
.COM**

TOLL FREE: 800-442-6622
www.store.sloanrepair.com