

► **Code Number**
318081

► **Description**

Side Wall (SW) Push Button Assembly for use with Sloan Series 900 Hydraulic Flushometers. Recommended for installation where access behind the wall is not available. Installation requires electrical box with cover plate (not supplied by Sloan).

► **Specifications**

Hydraulically Operated Push Button Assembly that includes the following features:

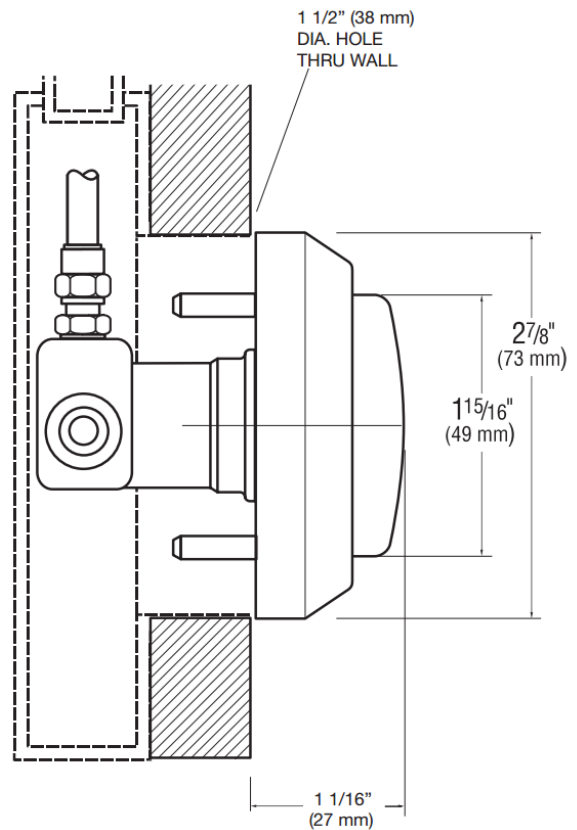
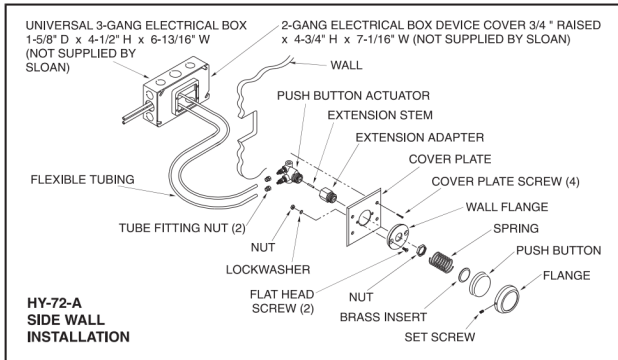
- ADA Compliant Non-Hold-Open feature type Actuator
- Large diameter, Spring Loaded Button
- Mounting fasteners for installation on 2-gang electrical box cover plate
- Two 120" long flexible tubing for connection to Sloan Series 900 Hydraulic Flushometer

Installation requires 3-gang Electrical Box (6-1316" (173 mm) long x 4-1/2" (114 mm) wide x 1-5/8" (41 mm) deep) and 2-gang over Plate (3/4" (20 mm) raised max. x 4-3/4" (121 mm) high x 7-1/16" (179 mm) long) — NOT supplied by Sloan.

► **Accessories (Sold Separately)**

See Accessories Section of the Sloan catalog for details on these and other Flushometer variations.

► **ROUGH-IN**



► **Compliance & Certifications**



This space for Architect/Engineer Approval

**SLOAN
REPAIR
.COM**

TOLL FREE: 800-442-6622
www.store.sloanrepair.com