

► Code Number
318049

► Description

"Metal Partition (MP) Push Button Assembly for use with Sloan Series 900 Hydraulic Flushometers. Recommended for installation on 1" (25 mm) metal toilet stall partition."

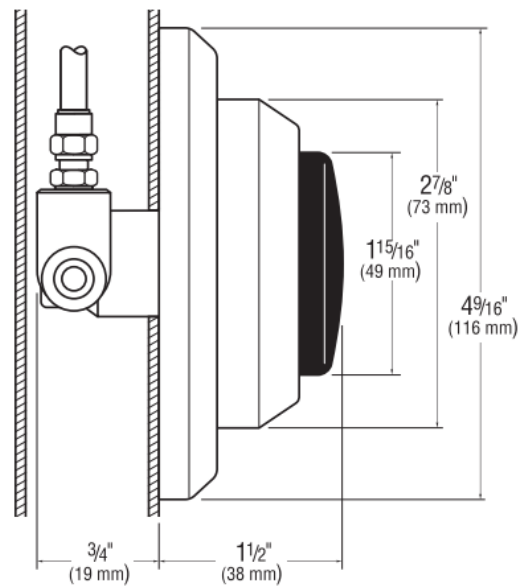
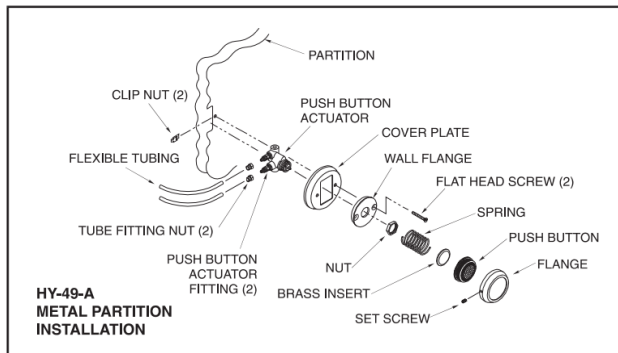
► Specifications

Hydraulically Operated Push Button Assembly that includes the following features:

- ADA Compliant Non-Hold-Open feature type Actuator
- Large diameter, Spring Loaded Button
- "Mounting fasteners for installation on 1" (25 mm) thick metal toilet stall partition"
- Two 24" (914 mm) long flexible tubing for connection to Sloan Series 900 Hydraulic Flushometer"

See Hydraulic Flushometer Specification pages in this section for details on Hydraulically Operated Flushometers.

► ROUGH-IN



► Compliance & Certifications



This space for Architect/Engineer Approval

**SLOAN
REPAIR
.COM**

TOLL FREE: 800-442-6622
www.store.sloanrepair.com