



CATCH LOUNGE JH14

BY JAIME HAYON
2017



CATCH LOUNGE JH14

BY JAIME HAYON

2017

With its outstretched arms like a friend ready to greet you with a warm, welcoming hug, the Catch Lounge Chair builds on Hayon's penchant for humour and personification. At the same time, it introduces a higher back and elongated seat in a singular shell supported by a metal armature. The result is a leisure chair that's angled back just a bit – so you can sit down, relax and, as the name implies - lounge.

“The more we work with Hayon, the more we appreciate his ability to bring humanity and warmth to all his concepts,” says &tradition Brand Director Martin Kornbek Hansen. “Historically, classic lounge chairs had a somewhat aloof aspect to them. However Hayon has managed to make the Catch Lounge Chair more personal and inclusive, setting the scene for a more intimate atmosphere and conversation. Which coincides with our Danish idea of cosy. Something we call hyggeligt.”

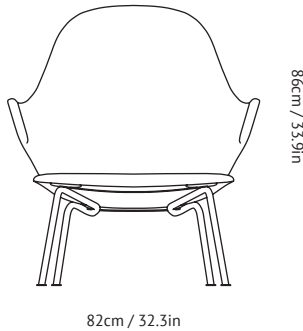
As Hayon sees it, “A lounge chair should be inviting to look at. In a way, it should be almost irresistible. Meaning you can't help but sit back, get comfortable and have a chat. That's what I wanted to achieve. With the added element of the two arms, like a friend, happy to welcome you.”



CATCH LOUNGE JH14

BY JAIME HAYON
2017

Product category	Lounge chair with armrest
Production Process	The Catch lounge is made from a molded PU foam core covered in soft CMHR foam for superior comfort. The base is made from Ø20mm steel tubes.
Environment	Indoor
Material	Molded PU foam, CMHR foam, steel tube base, fabric or leather upholstery.
Dimensions (cm/in)	H: 86cm/33.9in, W: 82cm/32.3in, D: 92cm/36.2in. Armrest height: 58cm/22.8in. Seat height: 36cm/14.2in.
Weight (kg)	13kg
Base finishes and gliders	Satin matt warm black powder coating (RAL 8022). The base is fitted with felt gliders as standard.
COM - Material Consumption	Fabric usage; 3 meters based on 140cm roll. Leather usage; 6 square meters. COM must be approved by &tradition to ensure suitability for upholstery.
Strength, Durability and Safety Testing	The Catch lounge is tested for strength, durability and safety according to EN 16139 Level 1 - General contract use.
Cleaning Instructions	Please download our Material Cleaning Instructions through www.andtradition.com
Package Dimensions (cm/in)	H: 90cm/35.4in, W: 84cm/33in, D: 94cm/37in.



82cm / 32.3in



92cm / 36.2in

PRODUCT



FRAME



Round steel tube

FABRIC



Divina 3 793



Round steel tube



Steelcut 2 365