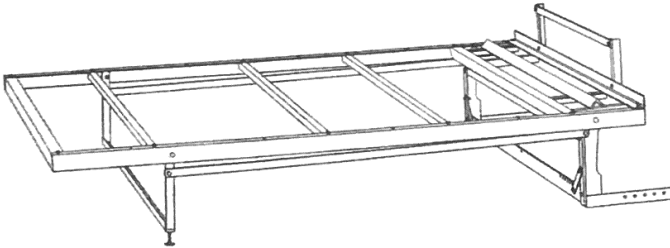


MurphyBedDepot.com
 Murphy Door Bed Frame Assembly Instructions
 Updated 08/14/2018

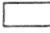

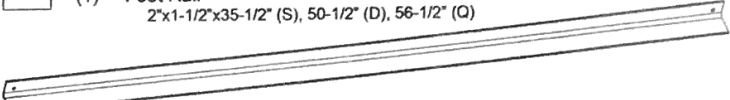
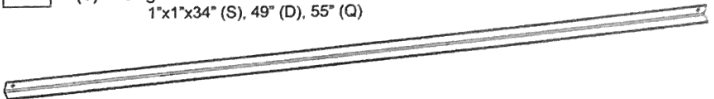
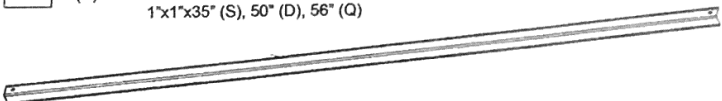
(904)823-9255
 office@murphybeddepot.com








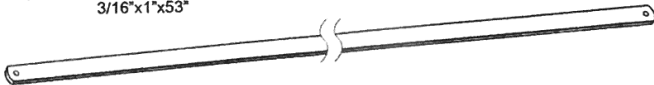
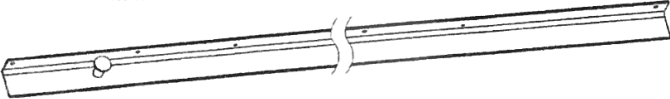
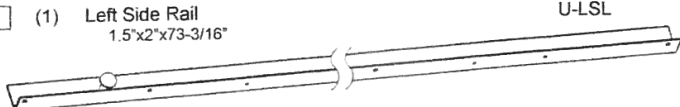
See the videos at
<https://murphybeddepot.com/pages/video-instruction>

Note: For King Size Bed, use two Single Frames, spaced approximately 1-2" apart. The plywood mattress support will attach the two frames together, and strengthen the frames.















ANGLE BOX CONTENTS

-  (1) Bottom Spring Bar
2"x2"x33-3/4" (S), 48-3/4" (D), 54-3/4" (Q) **S/D/Q-BSB**
-  (1) Yoke Connector Bar
1/8"x1"x33-3/4" (S), 48-3/4" (D), 54-3/4" (Q) **S/D/Q-YCB**
-  (1) Foot Rail
2"x1-1/2"x35-1/2" (S), 50-1/2" (D), 56-1/2" (Q) **S/D/Q-FR**
-  (1) Leg Connector Bar
1"x1"x34" (S), 49" (D), 55" (Q) **S/D/Q-LCB**
-  (3) Stiffeners
1"x1"x35" (S), 50" (D), 56" (Q) **S/D/Q-ST**

MURPHY BEDS - UNIVERSAL BOX CONTENTS

- (Quantity)
-  (1) Right Leg
3/16"x1"x11" **U-RL**
 -  (1) Left Leg
3/16"x1"x11" **U-LL**
 -  (2) Angle Braces
1/8"x1"x5-1/4" **U-AB**
 -  (2) Mattress Arms
1"x1"x6-1/2" **U-MA**
 -  (1) Mattress Retainer Bar
1/4"x1"x33" **U-MRB**
 -  (2) Leg Actuator Bars
3/16"x1"x53" **U-LAB**
 -  (1) Right Side Rail
1.5"x2"x73-3/16" **U-RSR**
 -  (1) Left Side Rail
1.5"x2"x73-3/16" **U-LSL**

MURPHY BEDS - HARDWARE BOX CONTENTS

-  (1) Right Floor Yoke
11.5"x11.5" **RFY**
-  (1) Left Floor Yoke
11.5"x11.5" **LFY**
-  (1) Weldment
Single - 10"x35"
Double - 10"x50"
Queen - 10"x56" **SWELD
DWELD
QWELD**
-  (28) Hex Hd Screws
5/16" x 1" **UMB75**
-  (2) Hex Hd Screws w/Nuts
1/4" x 1.25" **UMB125**
-  (28) Nylon Insert Locknuts
5/16" **UMNNYL**
-  (8) Concrete Anchors **UMANC**
-  (2) Leg Levellers **UMLEV**
-  (4) Nylon Washers **UMWNY**
-  (2) Nylon spacers
.500-O.D. x .26-I.D. **UMSPNY**
-  (2) Zinc Washers
3/4"-O.D. x 3/16" **ZW**
-  (2) Quadrex Pan Hd. Screws
8 x 5/8" **PHS-.625**
-  (1) Strap With Buckle **'S-46**
-  (6/8/10) Springs **1225**

MURPHY BEDS - YOKE ASSEMBLY

LEGEND

S - Single
D - Double
Q - Queen
U - Universal

LFY - Left Floor Yoke
RFY - Right Floor Yoke
LAB - Leg Actuator Bar
YCB - Yoke Connector Bar
BSB - Bottom Spring Bar
AB - Angle Brace
UMWNY - Nylon Washer
UMNNYL - Nylon Insert Locknut
UMB75 - 3/4" Bolt

1. Fasten right floor yoke (RFY) and left floor yoke (LFY) loosely to the bottom spring bar (BSB) with 1" bolts (UMB75) and nylon insert locknuts (UMNNYL). See Fig. 2.

2. Fasten angle braces (U-AB) to the front of the L&RFY's & BSB, and yoke connector bar (YCB) to L&RFY's, all with 1" bolts (UMB75) and nylon insert locknuts (UMNNYL). See Fig. 2. U-AB & YCB may be attached either in front of or behind Floor Yokes.

3. Tighten down bolts and nuts from steps 1 & 2.

4. Attach leg actuator bars (U-LAB) to floor yokes using 1" bolts (UMB75), nylon washers (UMWNY) and nylon insert locknuts (UMNNYL). Hand-tighten until later. See Figures 1 & 2.

5. Position frame on floor inside cabinet/closet, etc., with equal space on the left and right.

6. Position front of Yoke against rear of Toe Kick if being installed in a cabinet, or 14" (minimum) from wall (to calculate proper minimum distance from wall, add 6" to your mattress thickness). Mark anchor holes on floor, or attach Wall Mount Brackets (see WMB instructions). If installing in a cabinet, we recommend installing as far forward as cabinet allows.

Substitute Wall Mount Brackets instructions for steps 7-8 if using Wall Mount Brackets.

7. If concrete subfloor, Remove frame and drill 5/16" holes. Install anchors (UMANC) in holes. See Fig. 3.

If wood subfloor, drill 3/16" pilot hole, and secure using 5/16" x 1 1/2" Lag Screws (not included). If floor-mounting over carpet, it is recommended that the carpet be cut back so that the floor yokes sit directly on the subfloor.

8. Attach frame to floor with anchor bolts or lag screws

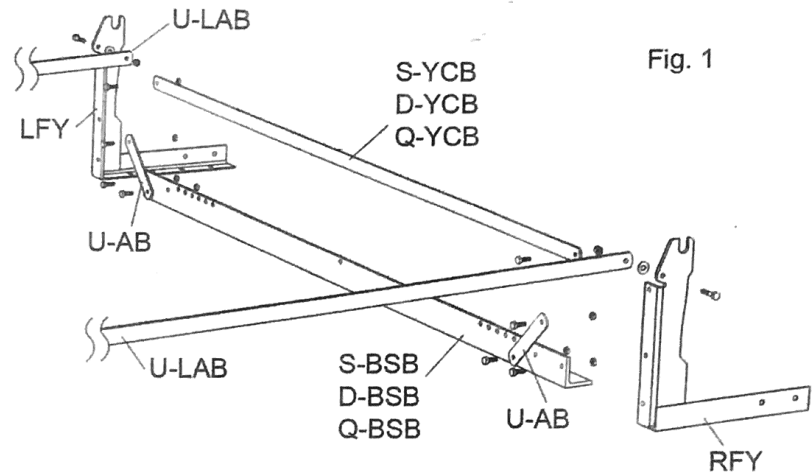


Fig. 1

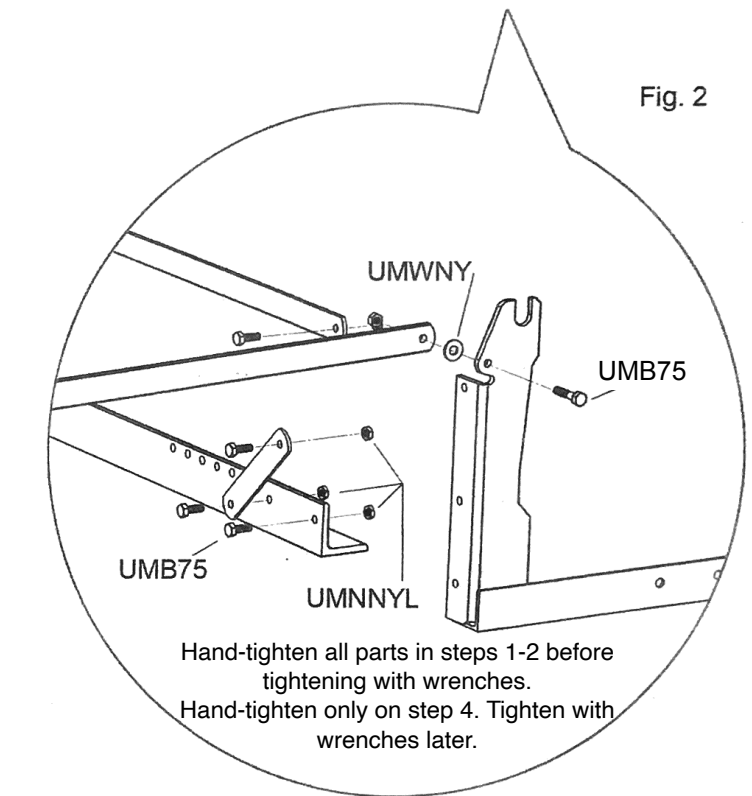
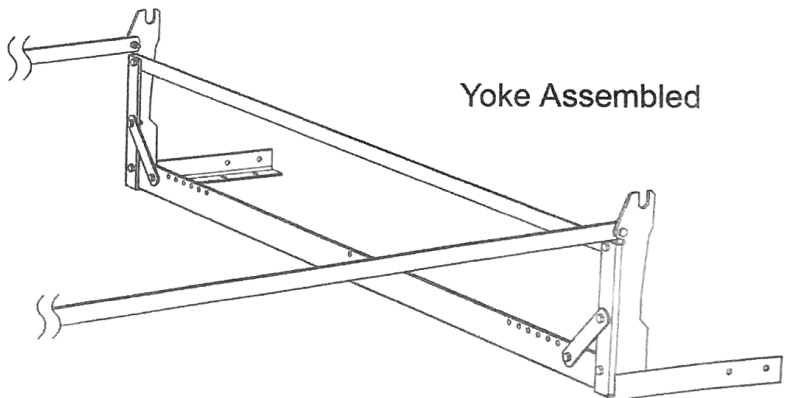


Fig. 2

Hand-tighten all parts in steps 1-2 before tightening with wrenches.

Hand-tighten only on step 4. Tighten with wrenches later.



Yoke Assembled

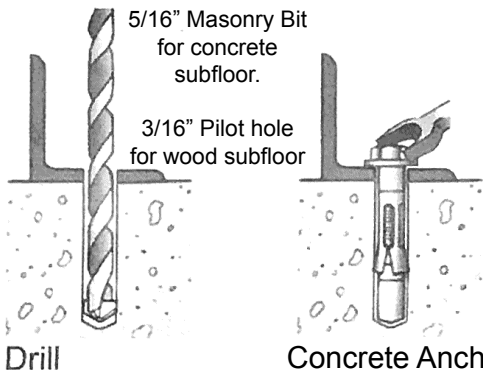


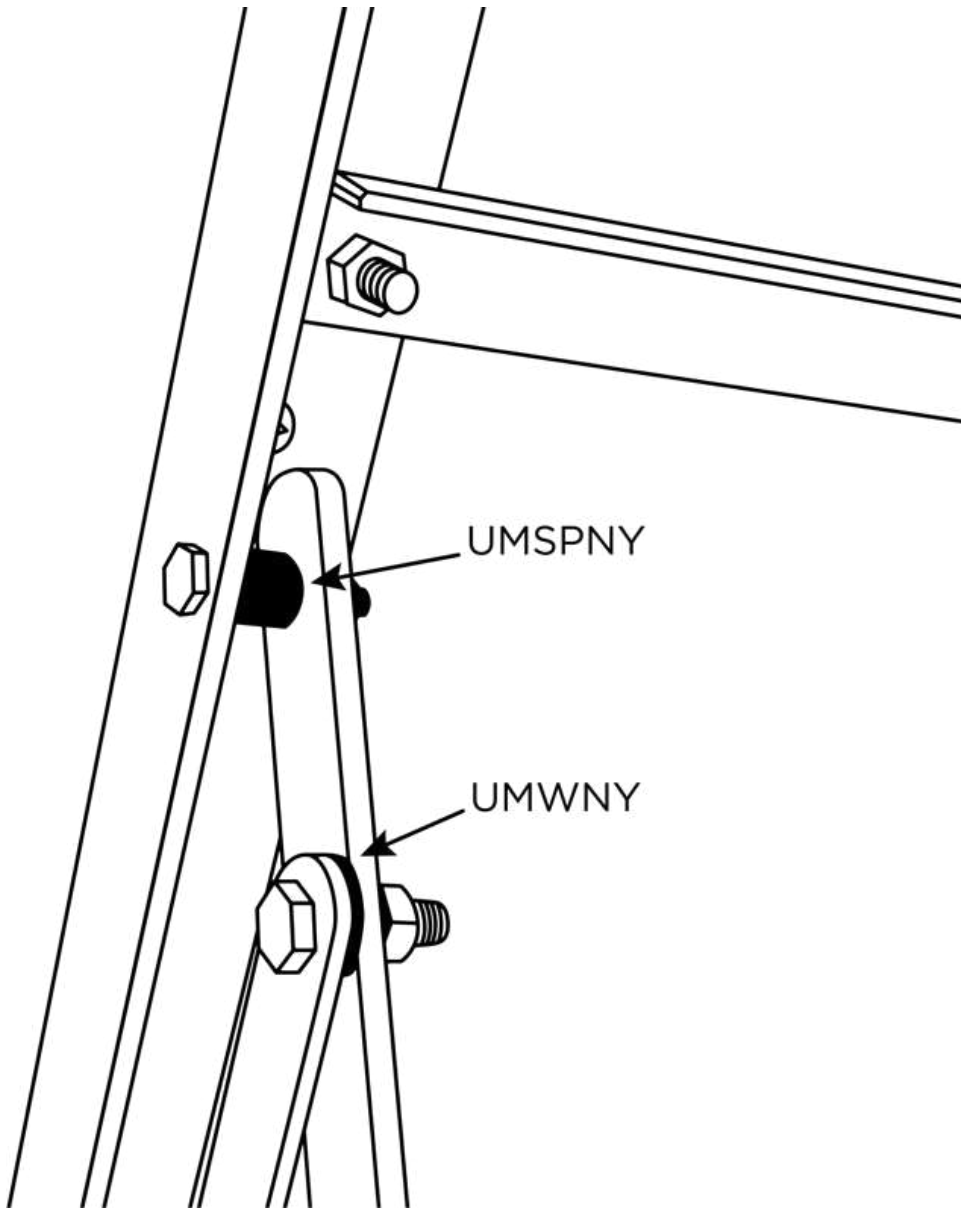
Fig. 3

Drill

Concrete Anchor

MURPHY BEDS – FRAME ASSEMBLY

Clarification of Steps 13 and 17 of the Door Bed Frame Instructions:



For Step 13, note the nylon spacers (UMSPNY) between the leg (U-LL) and the side rail (U-LSR),

For Step 17, note the nylon washer (UMWNY) between the leg and the leg actuator bar (U-LAB).

MURPHY BEDS - FRAME ASSEMBLY

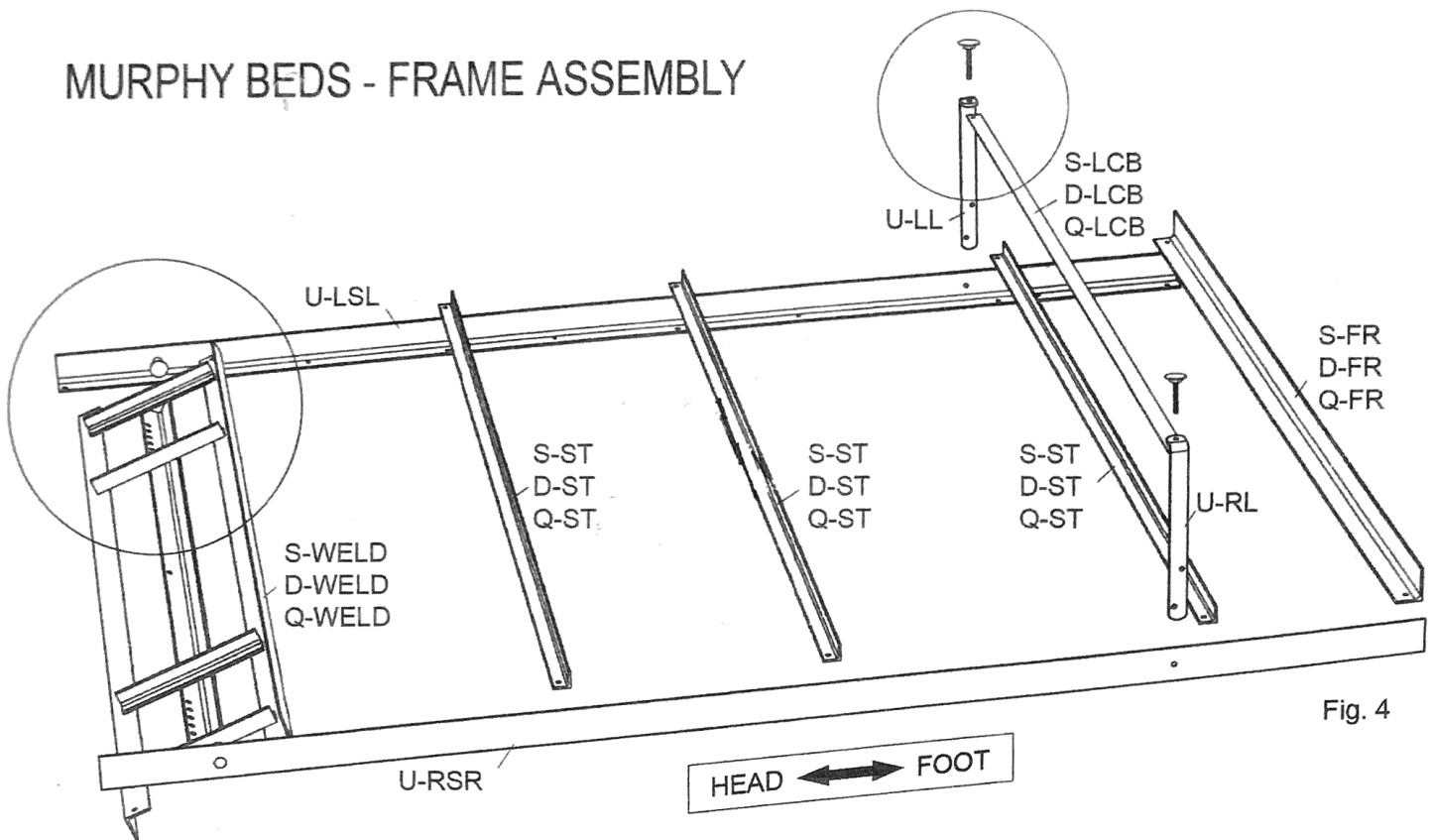


Fig. 4

LEGEND

S - Single	WELD - Weldment	LL - Left Leg
D - Double	ST - Stiffener	RL - Right Leg
Q - Queen	LCB - Leg Connector Bar	RSR - Right Side Rail
U - Universal	FR - Foot Rail	LSR - Left Side Rail

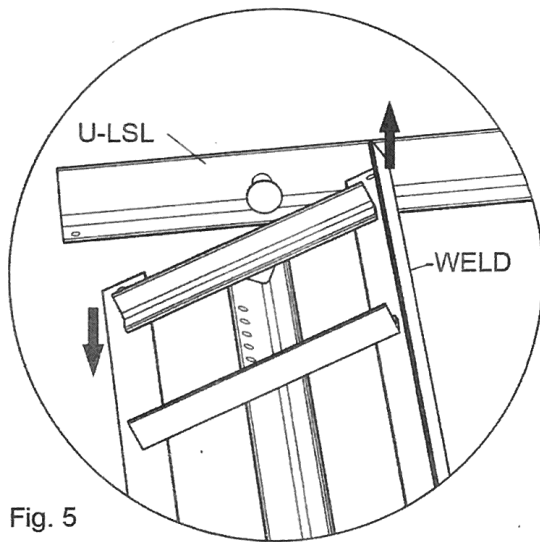


Fig. 5

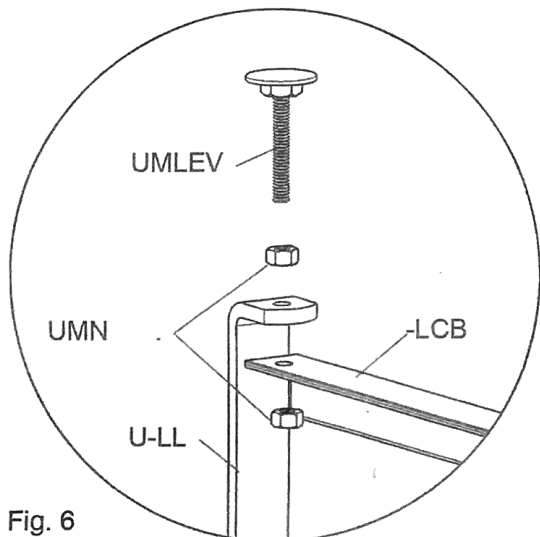


Fig. 6

9. Lay parts on floor upside-down, as shown in Fig. 4 (with short side of Side Rails on the floor). It will be helpful to raise the foot end of the side rails off the floor a couple of inches with 2x4 wood blocking, etc. Loop the straps around the side rails (U-LSR / RSR) between the foot rail (-FR) and first stiffener (-ST).

10. Hand-tighten stiffeners (-ST) and foot rail (-FR) to side rails (U-LSR / RSR) with 1" bolts (UMB75), bringing bolt through side rail and into ST's and FR. Fasten loosely with nylon insert locknuts (UMNNYL). The ST's secure to the inner-most holes on the side rails, approximately 12", 33", and 48" from the foot end of the Side Rails.

11. Using 1" bolts (UMB75) and nylon insert locknuts (UMNNYL), hand-tighten the provided weldment (WELD) to the side rails with the spring holes towards the head of the bed. Make sure the weldment straddles the side rails as shown in Fig. 5. The head end is below the side rails, and the foot end is above the side rails.

12. Square the frame (make sure diagonal measurement from left-head-to-right-foot match from right-head-to-left-foot), then tighten all bolts and nuts. Do not over-tighten. A mid-range setting on a variable torque driver will be sufficient.

13. Attach left and right legs to side rails of frame using the 1-1/4" bolts (UMB125), through the outside of the side rails, through the nylon spacers (UMSPNY), then through the leg, secured with nylon insert locknuts (UMNNYL), and tighten snug. Note: The holes used to connect to the legs to the side rails are offset toward the head of the bed. See Fig. 4.

14. Attach leg connector bar (LCB) using the adjustable leg levellers (UMLEV) and nylon insert locknuts (UMNNYL). See Fig. 6.

MURPHY BEDS - FRAME ASSEMBLY

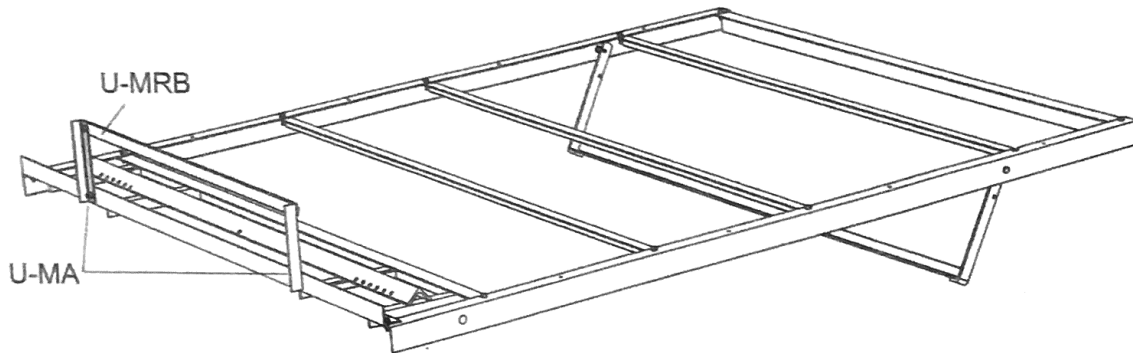


Fig. 7

15. Turn the frame right-side up. Attach the mattress arms (U-MA) to the head end of the weldment (WELD). If no tilting head board is being added, attach the mattress retainer bar (U-MRB) to the ends of the mattress arms. Fasten together with 1" bolts (UMB75) and locknuts (UMNNYL), inserted through the WELD into the U-MA's, with the nut on the outside.

16. Place the bed frame assembly vertically onto the floor yoke assembly, as shown in Fig. 8. Install 1-2 springs on each side of the frame, starting with the outermost holes. Have a helper hold the frame assembly steady while springs are installed. See SPRING video. Place spring hooks into the bottom spring bar (BSB) first and with Vice-Grips (aka locking pliers) locked onto the back of the top hook, using the yoke connector bar (YCB) as a pivot point, pry the spring into the weldment (WELD).

17. Attach the tops of the leg actuator bars (U-LAB) to the leg assembly. See Fig. 9. The frame may need to be tilted forward slightly for this step. If the LAB hole on each leg is not nearer the foot when the leg is raised, the legs have been installed on the wrong side.

18. Install mattress support atop the frame, using wood screws (included only if a mattress support was ordered) through the remaining holes in the side rails. The strap is best attached, sandwiched between the mattress support and the side rails, with a wood screw through the strap to keep it in place, using the holes closest to the foot end of the side rails. Place the mattress on the mattress support and secure in place with the strap. Strap can be unbuckled and hidden under bed when bed is in use.

19. Install remaining springs, one pair at a time until the frame and mattress are properly counter-balanced (an odd number may be used by installing one spring in the center holes). See SPRING video.

Fig. 9

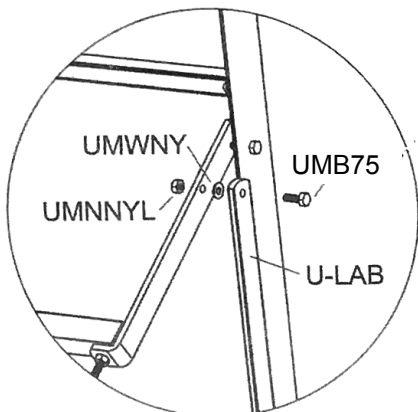


Fig. 8

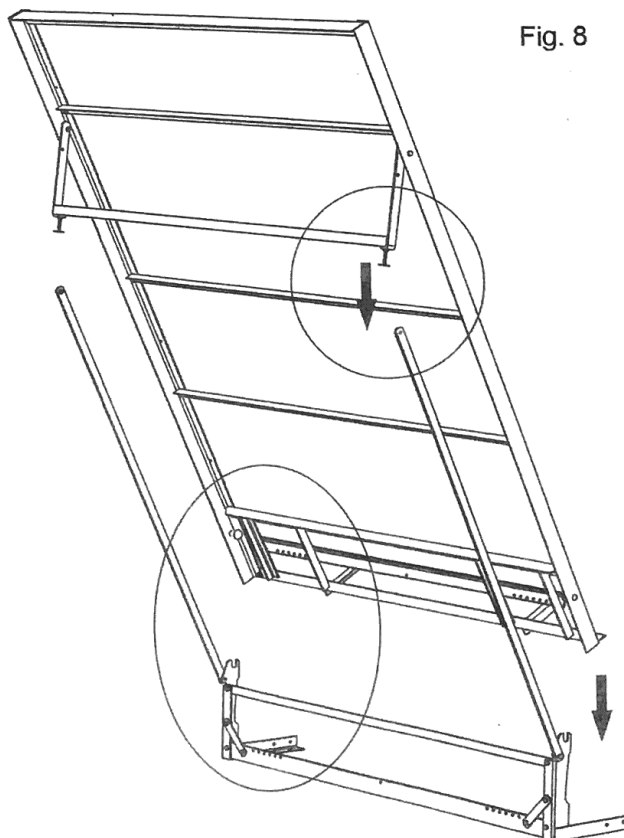
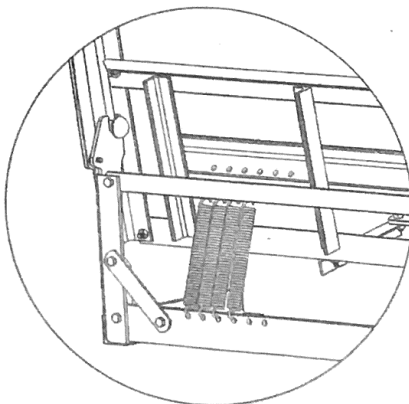


Fig. 10



For the spring installation, see the video at <https://murphybeddepot.com/pages/video-instruction>

WALL MOUNT BRACKETS



1. Attach Frame Floor Yokes to Wall Mount Brackets using 5/16" Bolts, Washers, and Nuts.
2. Locate Frame on wall and attach Wall Mount Brackets to bottom of wall using 3" Screws, securing to wood wall plate.

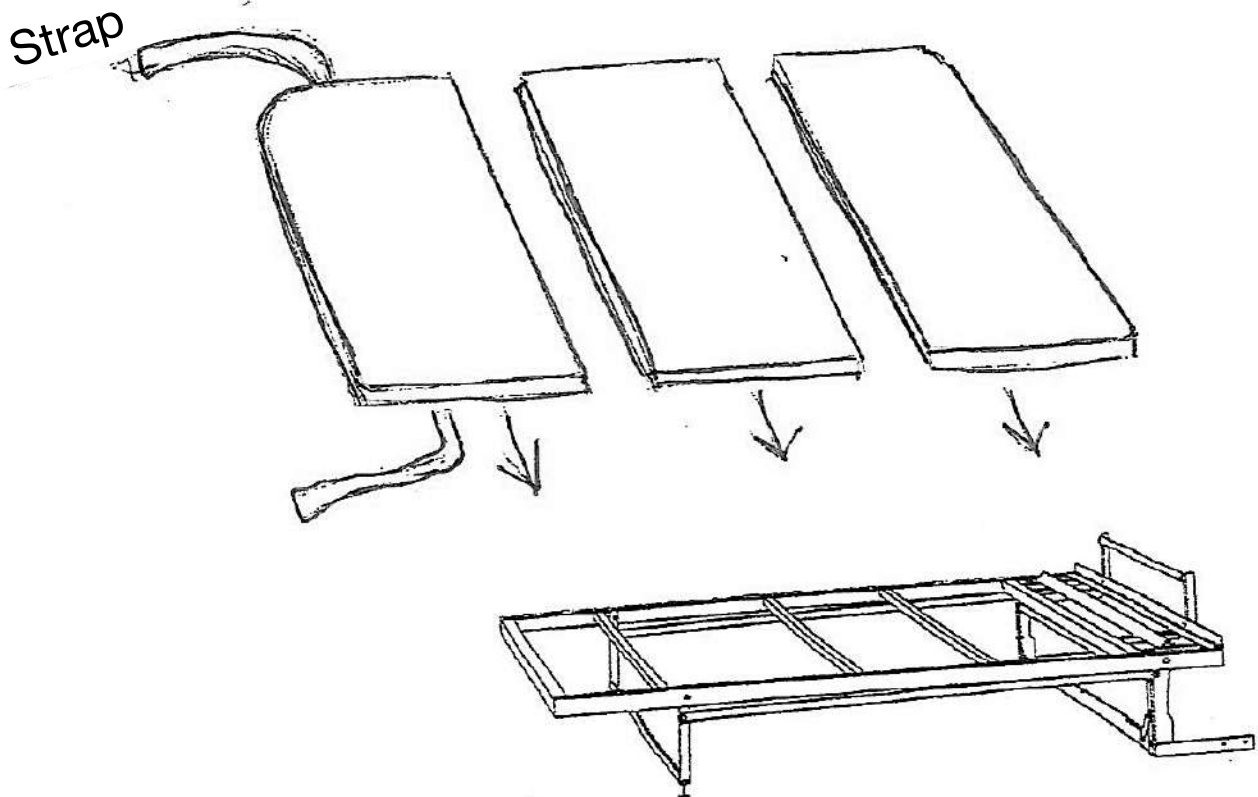
Note: Be sure to mount the frame as far forward from the wall as needed to allow for your mattress thickness, etc. (no less than 14" from the wall to the bolt heads on the front of the Yoke Assembly).

MATTRESS SUPPORT

Install frame and 2 springs per side (4 springs total) before installing mattress support.

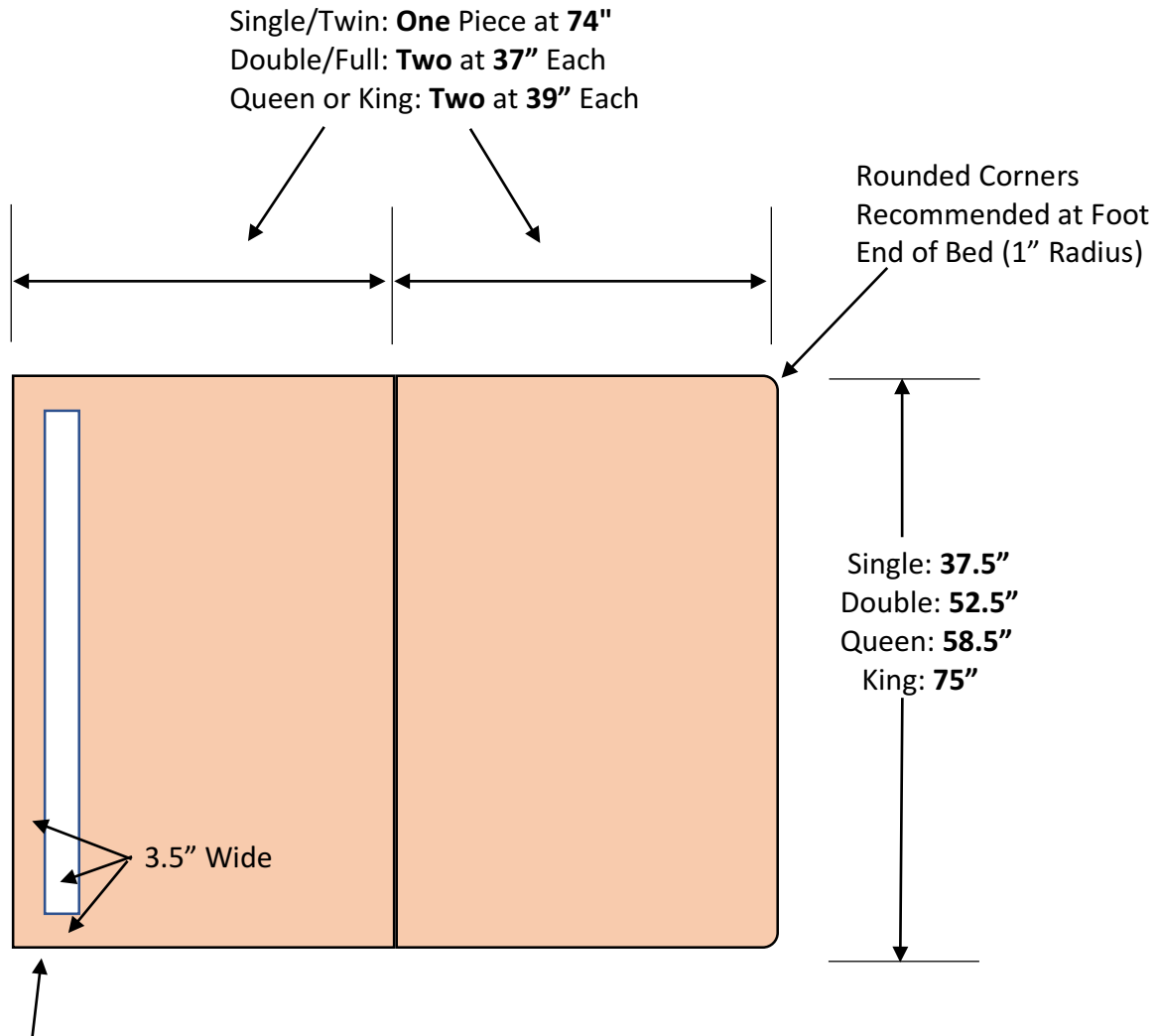
Attach Mattress Support (3 pieces) to Frame, using twelve #8 x 1 inch pan head wood screws:

- Frame is pre-drilled for attaching Mattress Support from below.
- Lay "Head" Portion on frame, with the indentation in the fabric atop the weldment, and the word "Head" facing down.
- Tilt frame up, and attach using 4 screws.
- Repeat with Center (unmarked and no rounded corners).
- Repeat with Foot Section (the section with the rounded-off corners), securing the strap with the screw closest to the foot of the bed, between the Mattress Support and the frame, before tightening.



Murphy Bed Depot
2 Piece Plywood Mattress Support

For Single/Twin or Double/Full Size Beds, 1/2" thick plywood recommended. For Queen or King, 5/8" thick plywood recommended.



Note: Mattress Support requires a cut-out as shown to accept the Top Spring-Bar Weldment from the Murphy Door Bed Frame. Cut-out dimensions are symmetrical and identical in width and inset distance for all bed sizes.

Cut-Out Placement: 3.5" from sides and end. 3.5" wide.

The Murphy Door Bed Frame has pre-drilled holes in the Rails for attaching the Mattress Support to the Frame, using wood screws, from below the bed.