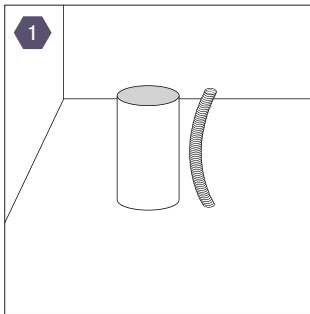


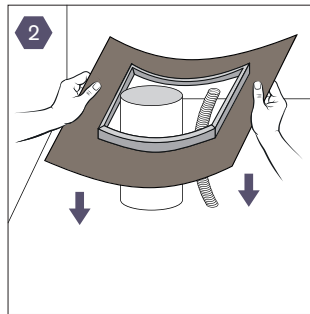
# KABSEAL™ SLAB

## INSTALLATION GUIDE

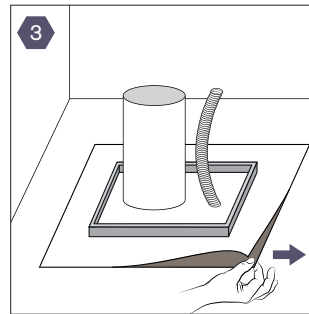
Radon-resistant seal potting grommet for the floor slab



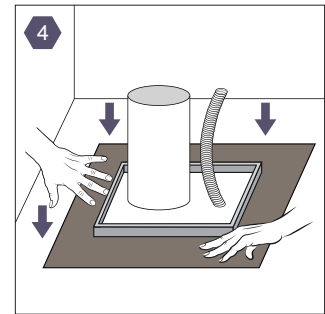
1 Nearly spaced penetrations in the floor slab.



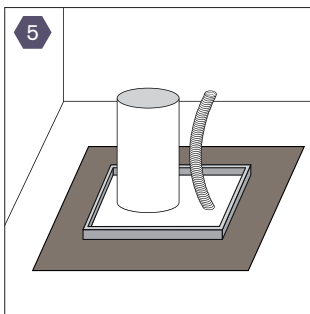
2 Position the KABSEAL SLAB sleeve centrally over the penetrations.



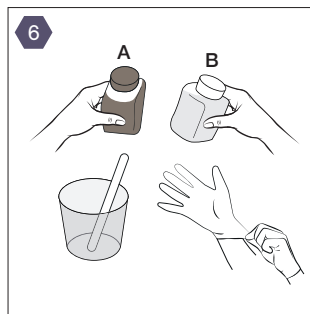
3 Remove the protective release backing film.



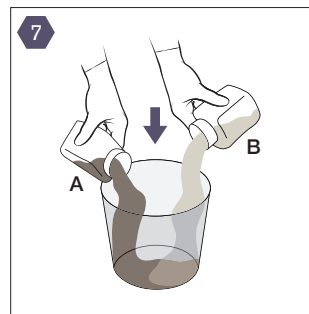
4 Press the tape surface and edges firmly with Partel tape pressure applicator.



5

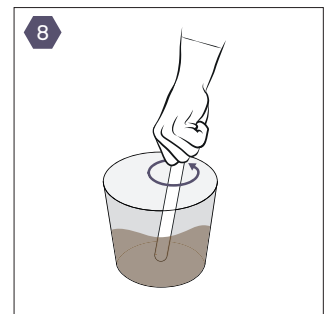


6 Items included: component A and B, stirring rod, a mixing cup, and 1 x protective gloves.



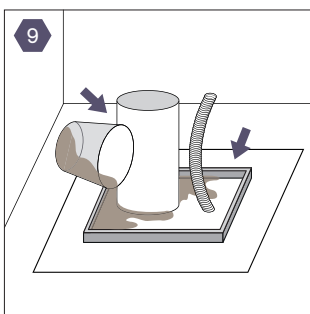
7

7 For processing, tip the two components into the mixing cup.



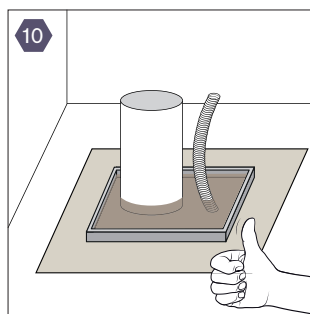
8

8 Mix with the stirring rod for 2-3 minutes.



9

9 Tip the mixed mass into the cuff and allow it to solidify.



10

10 After 30 minutes the casting compound is completely hardened.

### Instructions for application:

The surface must be clean, dry, and free from dust and grease. For seamless connections against the substrate, it's recommended to avoid creases.

To improve the adhesion of KABSEAL adhesive tapes on porous surfaces and various substrates like concrete, plaster, soft wood fibre boards etc., using ACRAPRIME® LIQUID or ACRAPRIME® SPRAY primer is recommended.

When bituminous membranes are installed, the sanding and/or protective film should be removed (e.g. by heat). The potting compound hardens and bonds with the material of the KABSEAL sleeve. For precautionary measures and safety recommendations please consult the safety- or the technical data sheet. Openings - holes or cracks in the area to be sealed are recommended to be closed in advance to prevent the reaction mass from running off.