

Instructions and Parts List



Classic Series 6" & 8" Grinding & Polishing Arbors

Ideal for lapidary and glass work, Lortone Arbors are used for grinding and polishing. Their widely spaced wheel centers are easy to use and can accommodate a variety of grinding/polishing wheels and drums. We use a sturdy welded steel frame coated with a high quality powder-coat finish for durability and smooth running rubber mounted bearings for quiet operation. Tapped shaft ends make installing spin-on polish heads simple. Requires the use of an overhead drip or pump fed coolant system. Motor and wheels not included.

- Comfortable, widely spaced wheel centers
- Clean, Quiet and efficient
- Sturdy welded steel frame
- Replaceable rubber mounted bearings for quite operation.

SETTING UP YOUR MACHINE

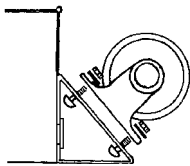
- Check the parts list to make sure all parts are included. If any parts are missing, please contact your dealer or the factory immediately.

Note: Unit does not come with a drive motor. It may be purchased separately.

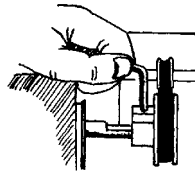
- Place unit on a clean, sturdy work table. Secure the unit to the work surface using the included hold-down clips. If not using the hold-down clips, place a non-slip rubber mat under the unit.

MOTOR INSTALLATION

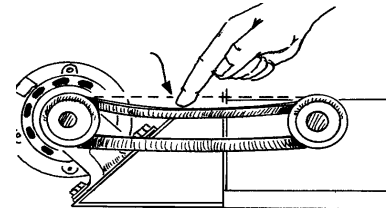
- Secure motor to motor mount with bolts provided.
- Place motor pulley on the motor shaft and tighten set screw securely.
- Install belt and adjust motor for correct belt alignment and tension. Do not overtighten the belt as this will lead to excessive noise and premature bearing wear.



Secure motor to mount with bolts.



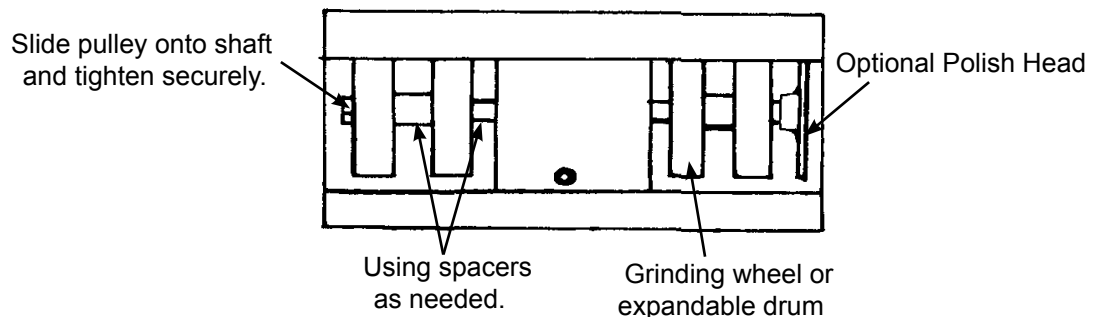
Slide pulley onto shaft and tighten securely.



Adjust belt tension to about 3/4".

WHEEL & BELT INSTALLATION

- Carefully install belts on drums. Slightly compress the drums if required.
- Install the drums & wheels on the shaft using the flanges and spacer provided. Flanges must be installed with the concave side toward the grinding wheel or expandable drum. Note the proper direction of rotation.
- Install spacers between wheels as needed and tighten the threaded nuts securely.
- Polish heads may be installed on either side depending upon your preference.

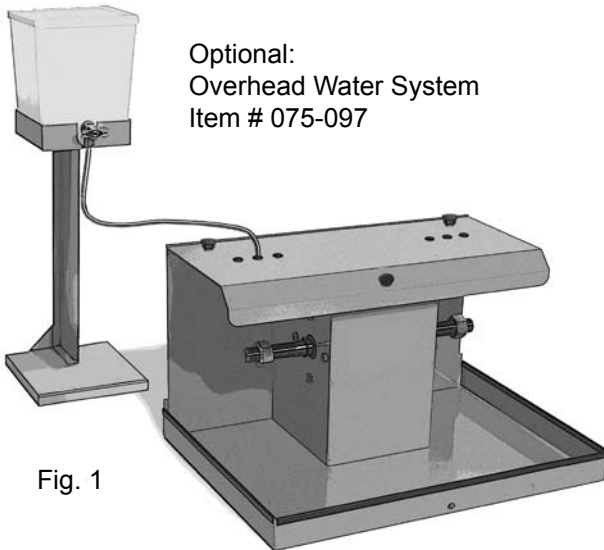


CAUTION!

Do not run drums without belts in place. Failure to follow instructions can result in damage to the machine or serious injury.

OPERATION

- Do Not Operate Without Water! Using this machine without water can generate significant amounts of dust and result in reduced life of sanding belts and wheels.
- A gravity feed water system (Fig. 1) or an under wheel water spitter with pump (Fig. 2) should be used to supply water to the wheels during operation.
- Always wear eye protection and dust mask when using equipment. Failure to do so can result in severe injury or illness.
- Turn on motor and run arbor up to speed prior to applying water to wheels.
- After use, turn water source off and run wheels and drums for several seconds to remove excess water.
- Drain unit and wipe dry after use. If desired, a drain system can be attached for continuous draining during use (Fig. 3). If water will be left in machine, add a small amount of rust inhibitor.



Optional:
Overhead Water System
Item # 075-097

Fig. 1

CAUTION
Do not operate without water.
Injury to operator or damage to
belts and wheels may occur.

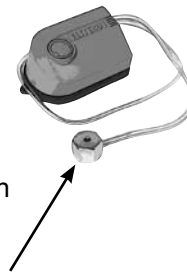


Fig. 2

Optional:
Underwheel Water Fountain
Item # 075-096

If using a spitter head, fill unit with 1/2" of water
and position spitter head below wheel in use.

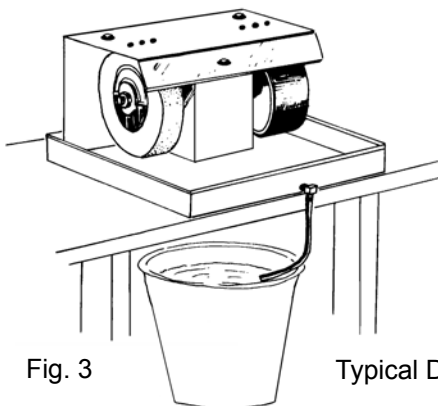
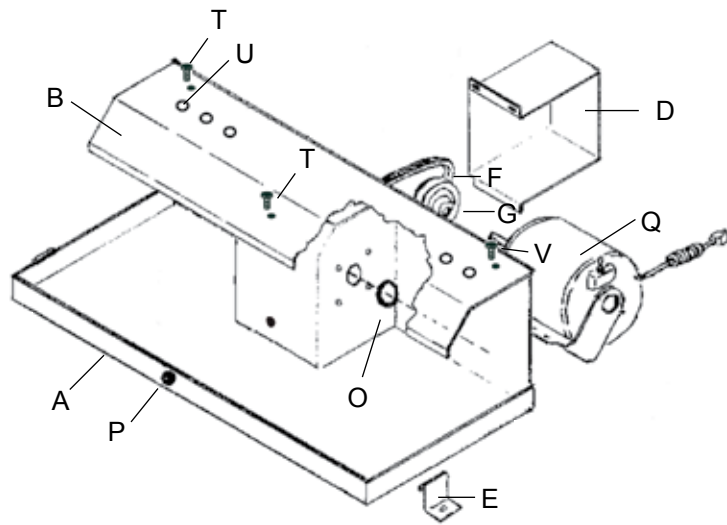


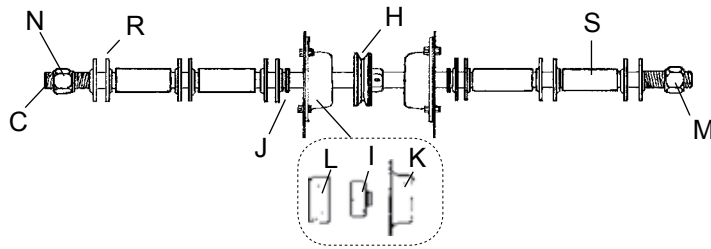
Fig. 3

Typical Drain System

Classic Arbor



Classic 6-6
Arbor Shaft
(shown)



Part No.	Description	Model				
		6-2	6-4	6-6	8-2	8-4
A	Frame	035-200	036-200	039-200	037-200	038-200
B	Removable Hood	035-201	036-201	039-201	037-201	038-201
C	Arbor Shaft	037-001	036-001	039-003	037-001	036-001
D	Belt Guard	039-205	039-205	039-205	038-205	038-205
E 033-025	Hold Down Clip	2	2	2	2	2
F	Drive Belt	210-030	210-030	210-030	210-031	210-031
G 211-013	Motor Pulley, 2 1/2" x 1/2"	1	1	1	1	1
H 211-015	Arbor Pulley, 2 1/2" x 3/4"	1	1	1	1	1
I 200-006	Arbor Bearing	2	2	2	2	2
J 206-023	Retaining Ring	2	2	2	2	2
K	Bearing Hat (2)	063-008	063-008	063-008	063-008	063-008
L 240-069	Rubber Bearing Isolator	2	2	2	2	2
M 481-026	Hex Nut, 3/4-16 RH	1	1	1	1	1
N 481-046	Hex Nut, 3/4-16 LH	1	1	1	1	1
O 217-020	Insulating Bushing	2	2	2	2	2
P 216-052	1/8" MPT Tube Connector	1	1	1	1	1
Q 300-022	1/3 HP Motor (optional)	-	-	-	-	-
R 101-013	Plated Flange, 2" x 3/4"	4	8	12	-	-
R 101-023	Plated Flange, 3" x 3/4"	-	-	-	4	8
S 105-002	1/4" Aluminum Spacer	2	2	-	2	2
S 105-006	3/4" Aluminum Spacer	2	2	-	2	2
S 105-008	1" Aluminum Spacer	2	2	-	2	2
R 105-010	1-1/2" Aluminum Spacer	-	2	-	-	2
S 105-013	2" Aluminum Spacer	-	2	4	-	2
T 290-015	Thumb Screw	3	3	3	3	3
U 320-006	Grommets	4	10	10	6	10