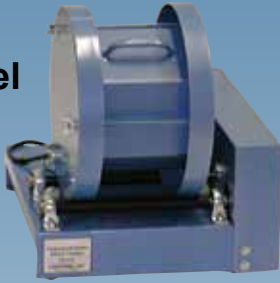


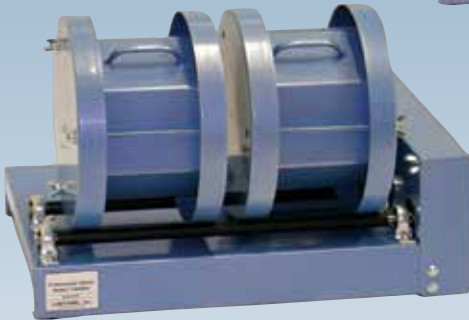
ROTARY TUMBLER

INSTRUCTIONS AND PARTS LIST

**Model
C20**



**Model
C40**



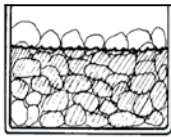
**Model
C20-2**

LORTONE

12130 Cyrus Way
Mukilteo, WA 98275
(425) 493-1600

GETTING STARTED

- I. **Open the Barrel:** Remove wing nuts and washers. Lift off lid and rubber gasket.
- II. **Add Rocks:** Fill Barrel about 1/2 to 2/3 full of rock. Rocks should be of assorted sizes for best results.
- III. **Add Abrasive:** Add 60/90 Silicon Carbide Abrasive (See chart on next page for amount). Add water to top layer of rocks and abrasive. Do not overfill.

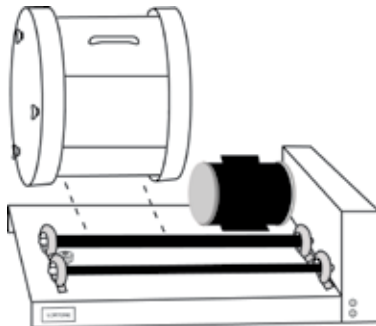


Add rocks
until 2/3 full.
Add water to
top layer of rocks.

- IV. **Close the Barrel:** Wipe the mating surfaces of the barrel and inner gasket clean with a damp cloth. Press inner gasket onto barrel. Press outer lid firmly down over gasket onto the barrel. Install washers and tighten wing nuts.

Wing nuts only need to be snug. Do Not Use tools to tighten. Over tightening of the nuts can cause damage to the lid, gasket and barrel.

- V. **Tumble:** Plug the tumbler into a suitable outlet. Place the barrel on the tumbler. Tumble for 2-3 days. Open and check the rocks. After 5-7 days, open the barrel and rinse the rocks in a bucket of water. **DO NOT** put the rinse water down a household drain as it will clog the drain.



VI. Repeat steps II through V: Use successively finer abrasive according to the chart below.

	Step 1	Step 2	Step 3	Step 4
Compound	60/90 Silicon Carbide	120/220 Silicon Carbide	Pre-Polish Aluminum Oxide	Polish Aluminum Oxide
20 lb Barrel	2-1/8 Cups	2-1/8 Cups	2-1/2 Cups	2-1/2 Cups
40 lb Barrel	4-1/4 Cups	4-1/4 Cups	5 Cups	5 Cups

IMPORTANT: The outside of the barrel should be kept clean. Clean by wiping with a wet soapy cloth and rinse well with fresh water.

TROUBLESHOOTING

If your tumbler fails to operate correctly, check the following:

Barrel does not turn, turns very slowly, or stops after being placed on tumbler.

No power to unit.	Make sure machine is plugged in correctly. Make sure electrical circuit is operational.
Barrel too heavy.	Do not exceed rated capacity.
Belt slipping.	Tighten belt.
Drive belt broken.	Remove cover and replace belt.
Motor doesn't run or runs intermittently.	Replace motor.

Barrel leaks or barrel lid comes off during operation.

Inner lid not seated correctly.	Make sure inner lid and barrel shoulder are clean and free of contaminants. Make sure inner lid is seated on barrel liner.
Gas build-up in barrel.	Open barrel occasionally to vent gas that might be formed during tumbling.
Barrel or boot gasket damaged.	Replace damaged barrel or boot gasket.

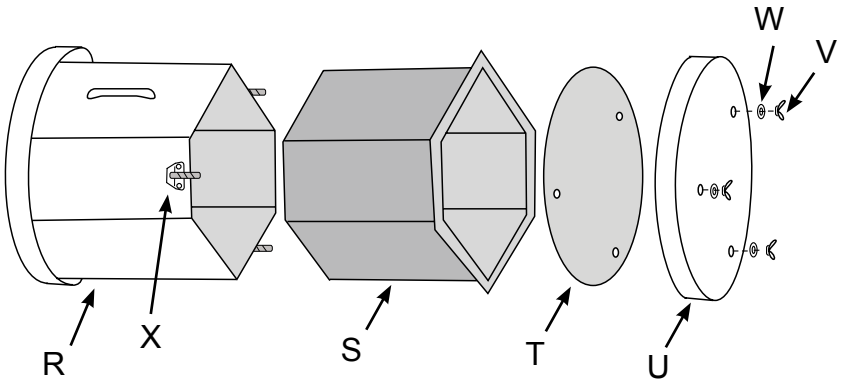
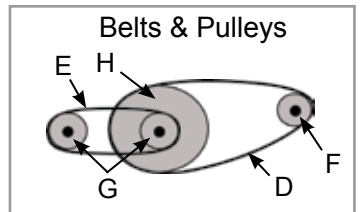
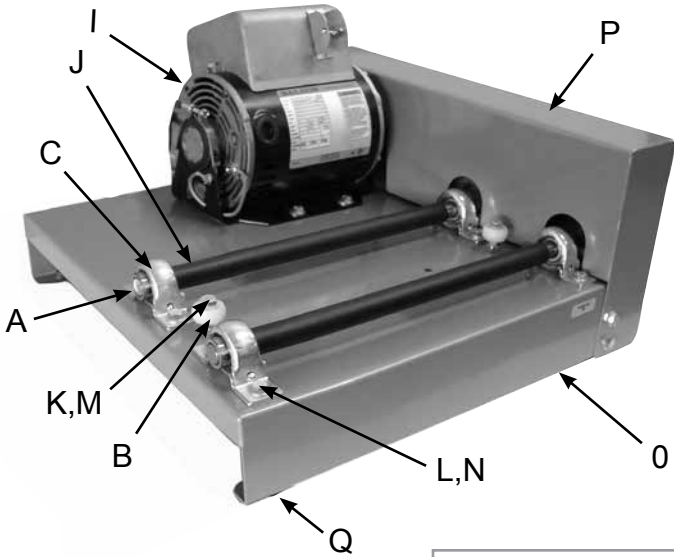
PARTS LIST C20

Part No.	Description
A 200-002	Bearing
B 203-920	Bearing, Nylon
C 204-002	Bearing Strap
D 210-023	Belt, Drive
E 210-025	Belt, Idler
F 211-001	Pulley, 1-1/2" x 1/2"
G 211-006	Pulley, 2" x 5/8"
H 211-041	Pulley, 5" x 5/8"
I 300-030	1/6 HP Motor
J 009-005	Shaft with cover
K 481-029	Nut, Hex, 5/16"-18 x 1-1/2"
L 484-015	Bolt, Hex, 1/4"-20, 3/4"
M 484-026	Bolt, Hex, 5/16"-18, 1-1/2"
N 489-012	Washer, Flat, 1/4"
O 009-070	Base
P 009-012	Belt Guard
Q 209-001	Rubber Foot

20 Lb. Barrel Parts List

Part No.	Description
021-097	Complete Barrel Assembly, 20 lb Capacity (for C20 & C20-2)
R 021-001	Barrel Body
S 240-007	Barrel Liner
T 240-017	Barrel Gasket
U 220-004	Barrel Lid, C20
V 481-080	1/4-20 Barrel Wing Nut
W 489-012	Washer, Flat, 1/4"
X 009-015	Barrel Lid Bracket

C20 Base



20 Lb. Barrel

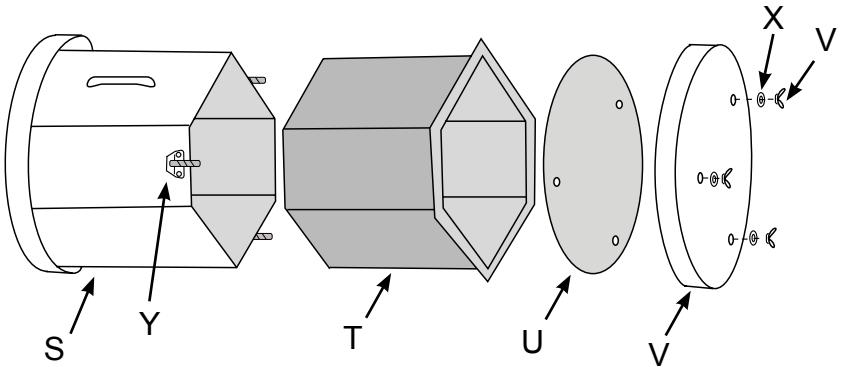
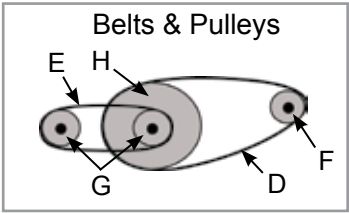
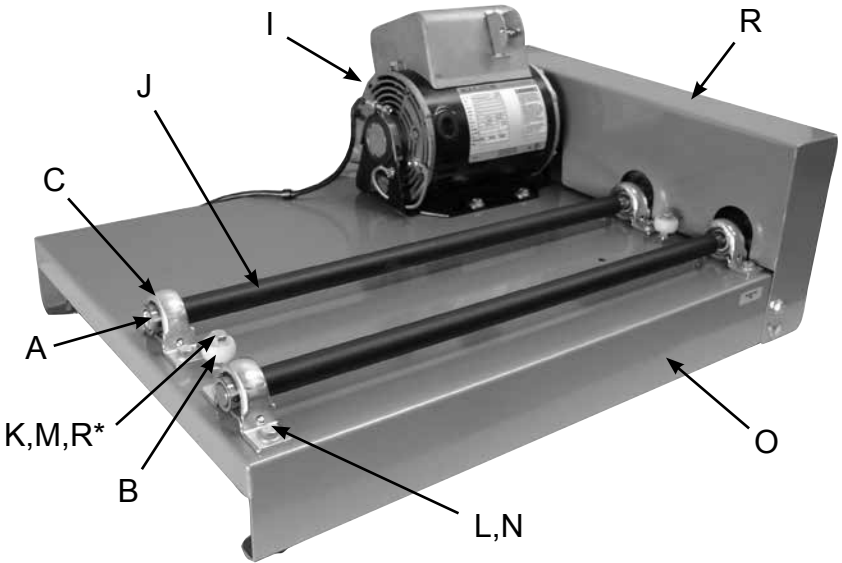
PARTS LIST C40 & C20-2

Part No.	Description
A 200-002	Bearing
B 203-920	Bearing, Nylon
C 204-002	Bearing Strap
D 210-023	Belt, Drive
E 210-025	Belt, Idler
F 211-001	Pulley, 1-1/2" x 1/2"
G 211-006	Pulley, 2" x 5/8"
H 211-041	Pulley, 5" x 5/8"
I 300-030	1/6 HP Motor
J 009-006	Shaft with Cover
K 481-029	Nut, Hex, 5/16"-18 x 1-1/2"
L 484-015	Bolt, Hex, 1/4"-20, 3/4"
M 484-026	Bolt, Hex, 5/16"-18, 1-1/2"
N 489-012	Washer, Flat, 1/4"
O 009-071	Base
P 009-012	Belt Guard
Q 209-001	Rubber Foot
R* 009-017	Barrel Guide Bracket (*C40 Only)

40 Lb. Barrel Parts List

Part No.	Description
021-098	Complete Barrel Assembly, 40 lb Capacity (C40)
S 021-002	Barrel Body
T 240-008	Barrel Liner
U 240-018	Barrel Gasket
V 220-005	Barrel Lid, C40
W 481-080	Barrel Wing Nuts
X 489-012	Washer, Flat, 1/4"
Y 009-016	Barrel Lid Bracket

C40/C20-2 Base



40 Lb. Barrel

(see page 3 for 20 Lb Barrel)

LORTONE Rotary C-Series Tumblers are commercial quality machines built to accommodate high capacity loads. Follow these basic operating instructions to keep your tumbler in optimal running condition.

LORTONE

12130 Cyrus Way
Mukilteo, WA 98275
(425) 493-1600