

# CULLEN

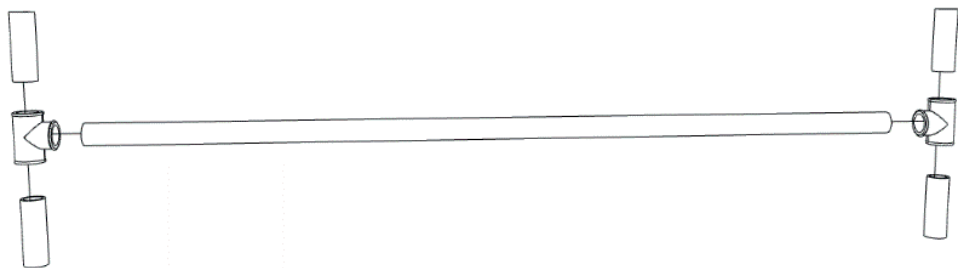


Please follow the assembly instructions to make sure your RackBuddy experience will serve you the way you deserve.

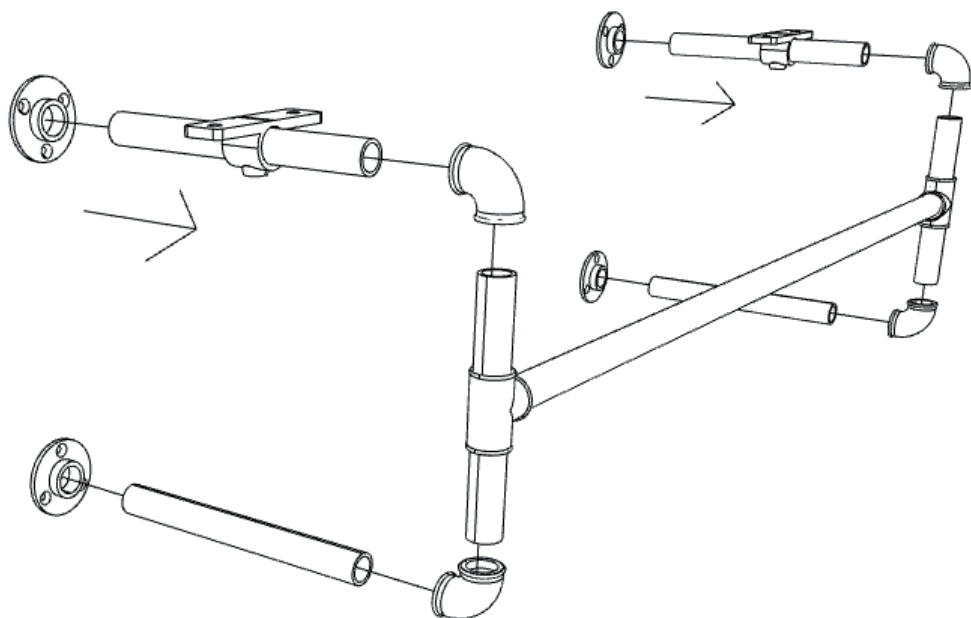
**RackBuddy**

# INSTRUCTIONS

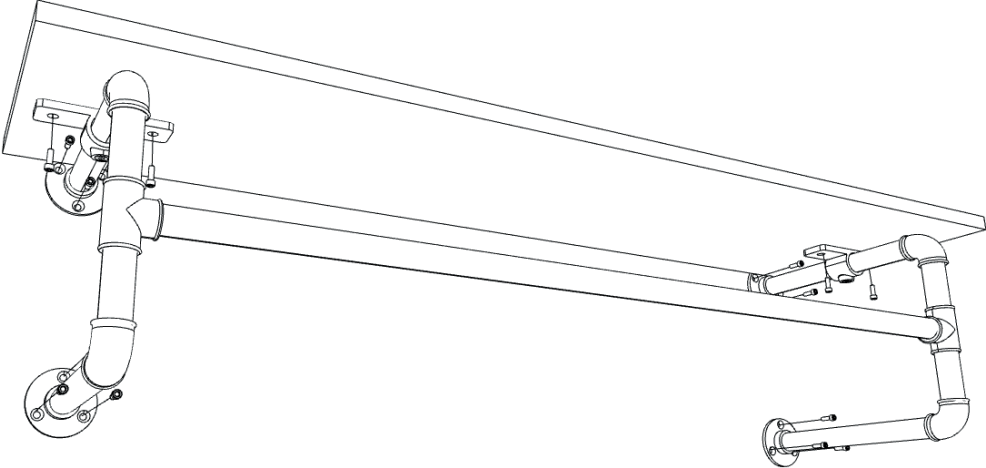
1



2



3





OBS! Please be aware that the pipes might be dirty. Please apply the gloves attached.

RackBuddy racks can be assembled manually. We recommend using tools (pipe wrenches) and that everything is tightened well to achieve the best possible stability and result.

Once RackBuddy rack has been assembled, remember to wipe it clean before use.

# RackBuddy

[rackbuddy.com](http://rackbuddy.com)

