

BOSWELL

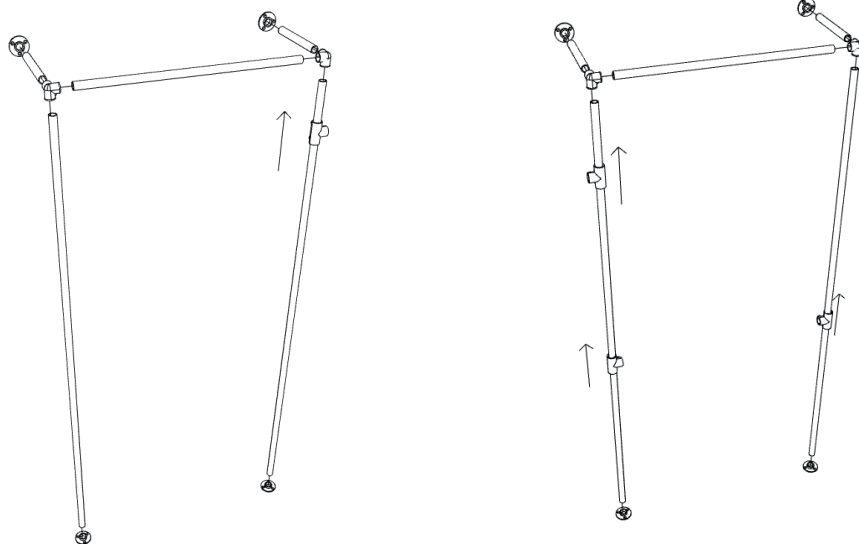


Please follow the assembly instructions to make sure your RackBuddy experience will serve you the way you deserve.

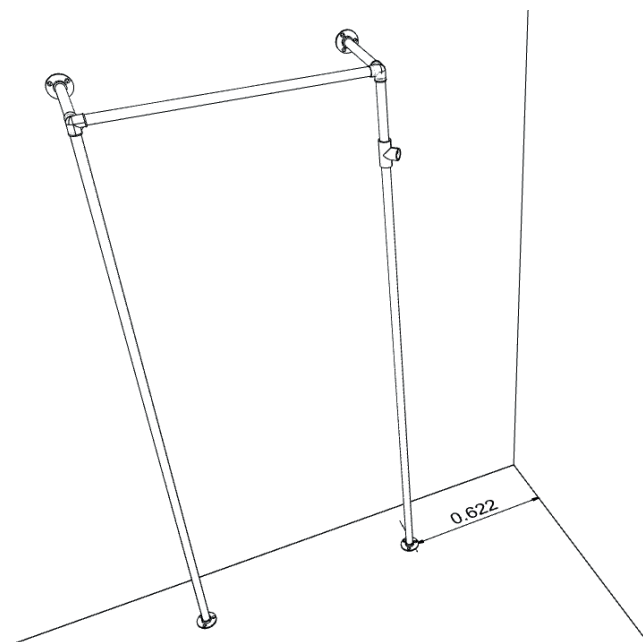
RackBuddy

INSTRUCTIONS

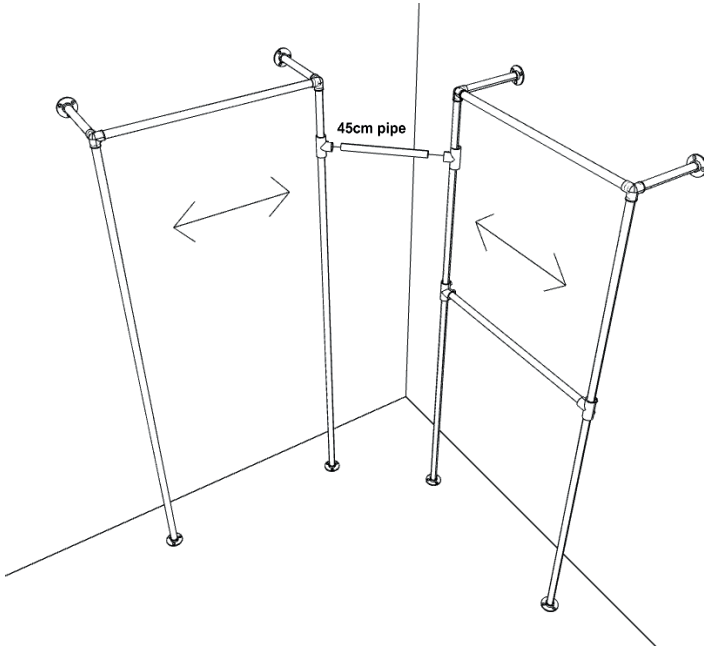
1 Build the two sides on their own



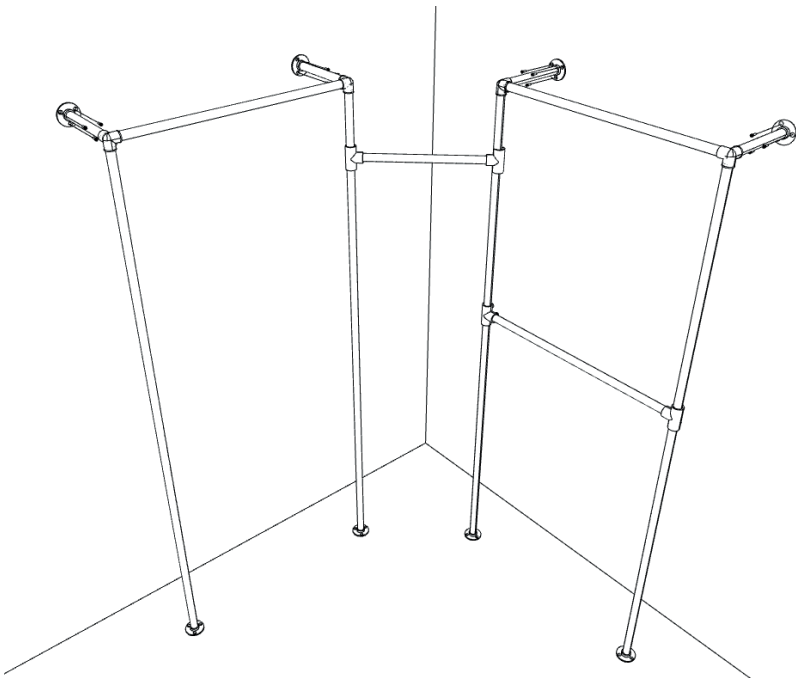
2 Position one part approx. 62 cm away from the corner



3 Add second side with short pipe and adjust positions



4 Mount to wall





OBS! Please be aware that the pipes might be dirty. Please apply the gloves attached.

RackBuddy racks can be assembled manually. We recommend using tools (pipe wrenches) and that everything is tightened well to achieve the best possible stability and result.

Once RackBuddy rack has been assembled, remember to wipe it clean before use.

RackBuddy

rackbuddy.com

