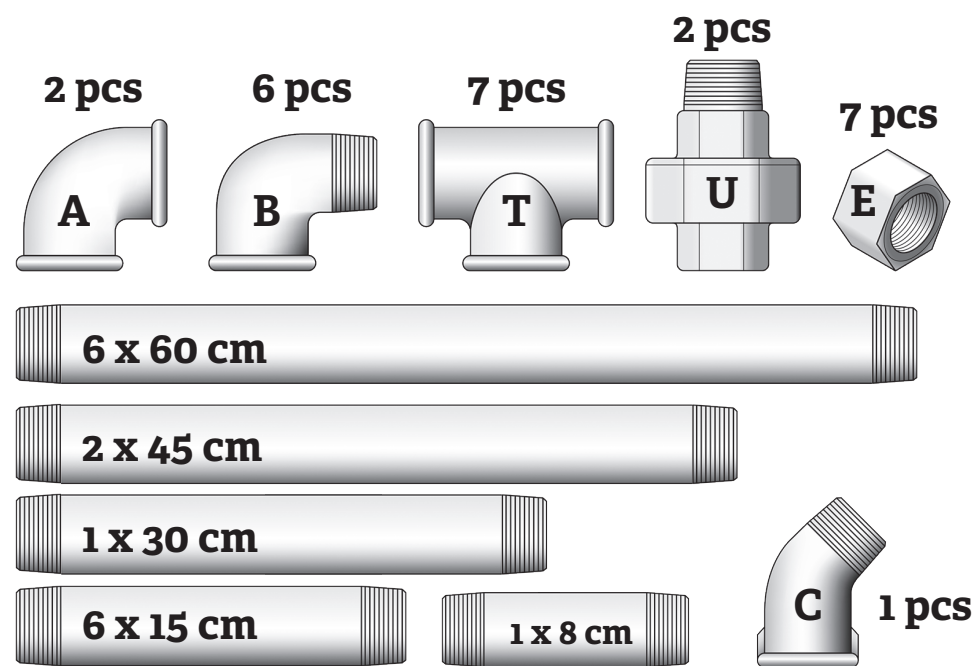


OBS! Be aware that the pipes might be dirty.
Please apply the gloves attached.

Your RackBuddy rack can be assembled manually by hand. However, we do recommend you use proper tools in order to achieve the best possible stability and results.

Once the rack has been assembled, remember to wipe it clean before you use it first.

Product List:



RackBuddy Benny

CONGRATULATIONS
WITH YOUR NEW
RACKBUDDY
PRODUCT.

PLEASE FOLLOW
ASSEMBLY

INSTRUCTIONS
TO MAKE SURE
YOUR RACKBUDDY
EXPERIENCE
WILL SERVE
YOU THE WAY
YOU DESERVE



