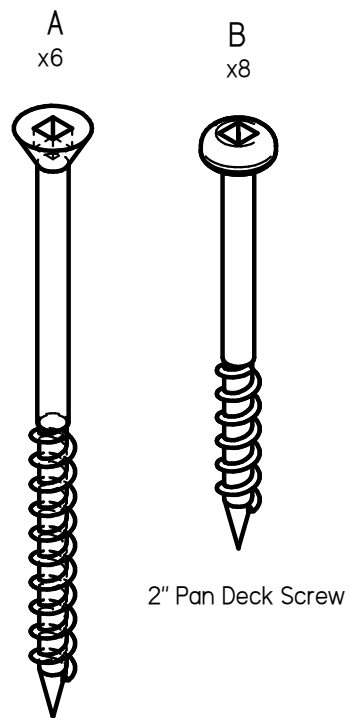


# Assembly Guide



MHSDAC2236  
Mayhew Sling Dining Arm Chair

## Hardware Included



3" Bugle Head Screw

2" Pan Deck Screw

## Tools Needed



Cordless Drill

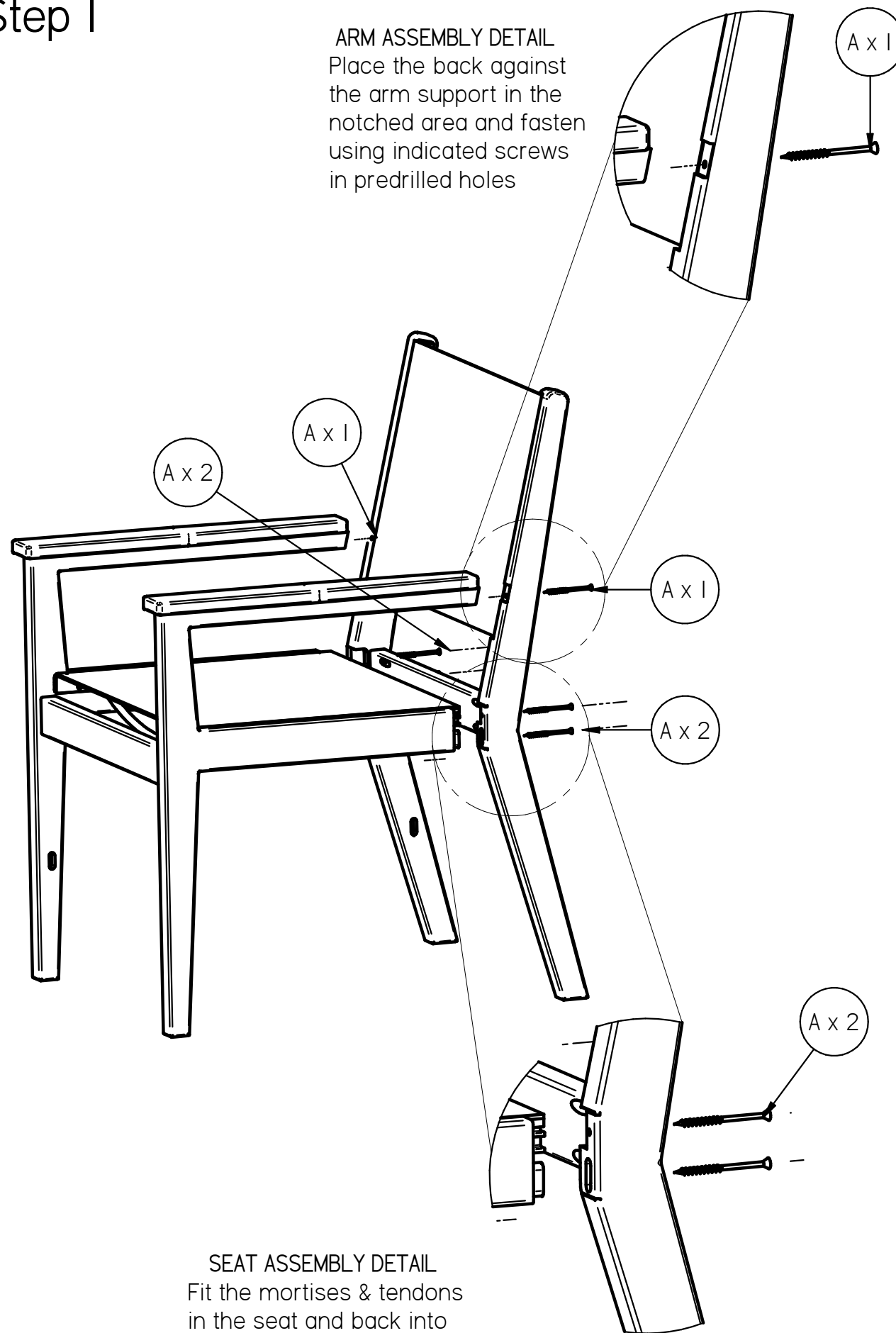
+



#2 Square Drive Bit  
(included)

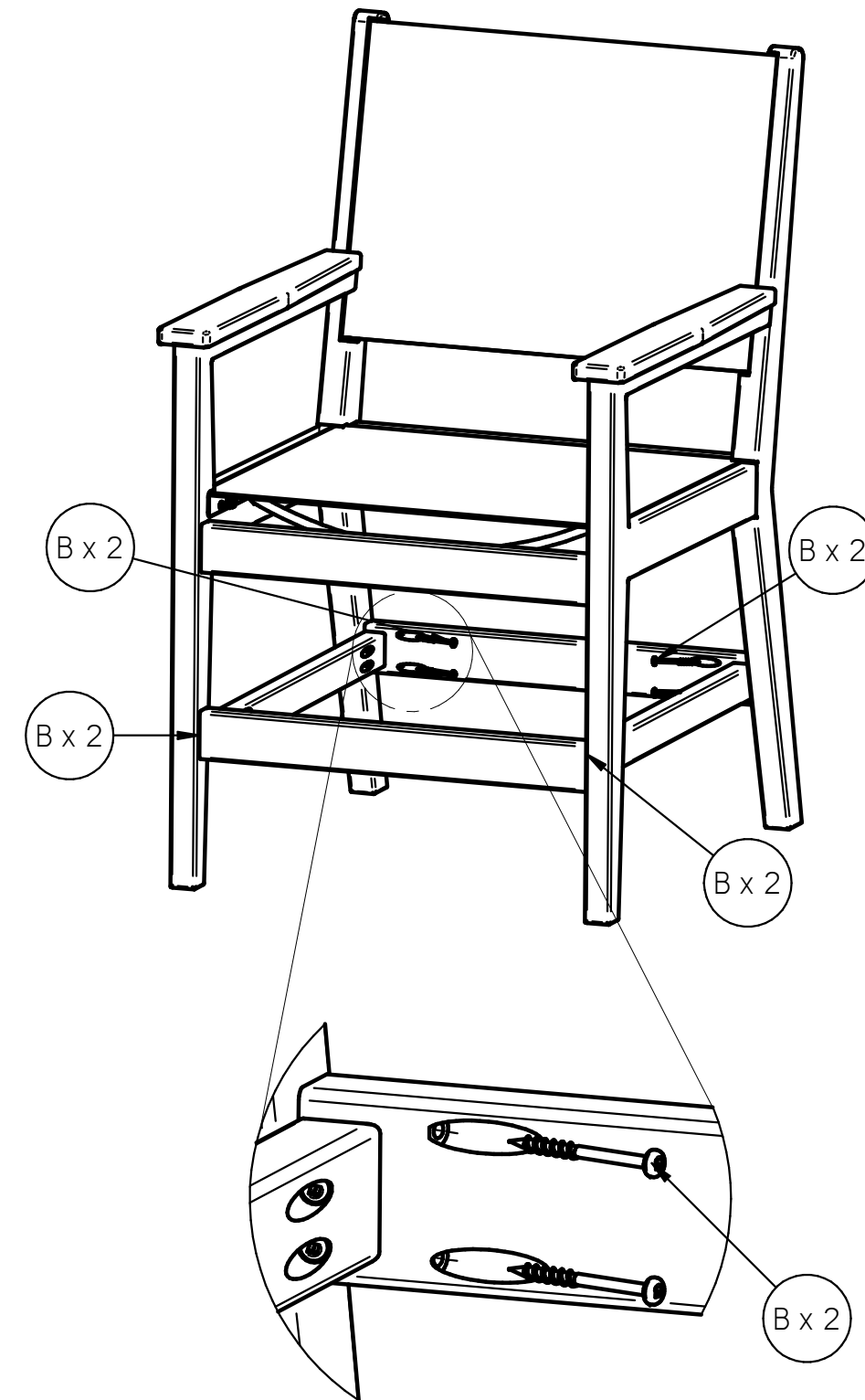
## Step 1

**ARM ASSEMBLY DETAIL**  
Place the back against the arm support in the notched area and fasten using indicated screws in predrilled holes



**SEAT ASSEMBLY DETAIL**  
Fit the mortises & tendons in the seat and back into each other and fasten using the indicated screws in pre-drilled holes

## Step 2



**LEG BRACE ASSEMBLY DETAIL**

Properly position the leg brace assembly between the chair legs by fitting the mortise and tendon jointery in each corner.

Fasten the leg brace assembly to each chair legs using the indicated screws in the pre-drilled pocket holes