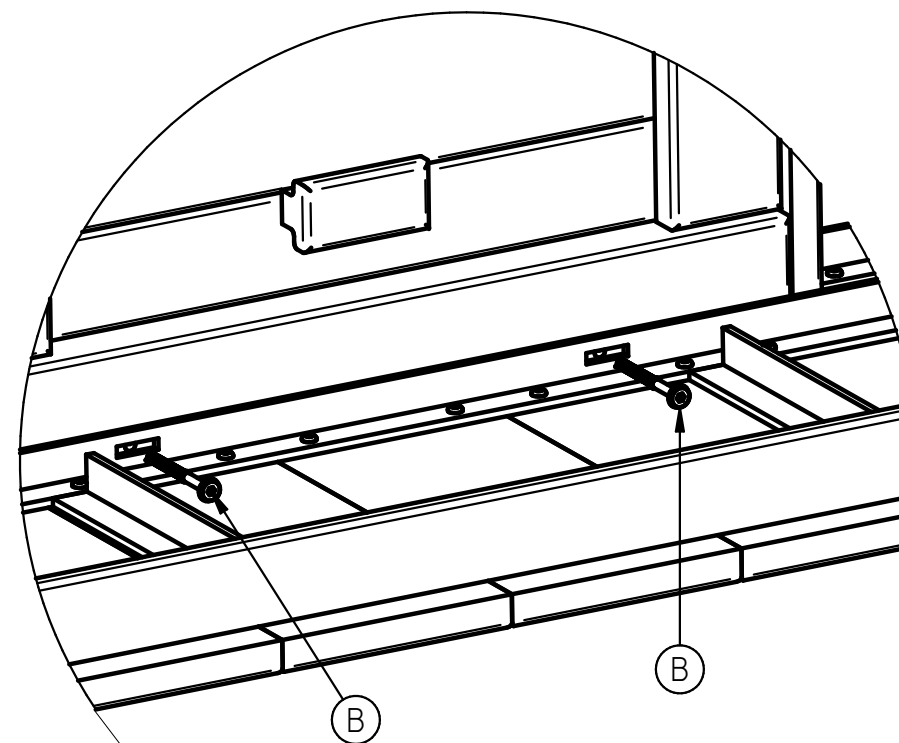




# Assembly Guide

Garden Classic 44"x72" & 44"x96" Fire Tables  
(Dining, Counter & Bar Heights)

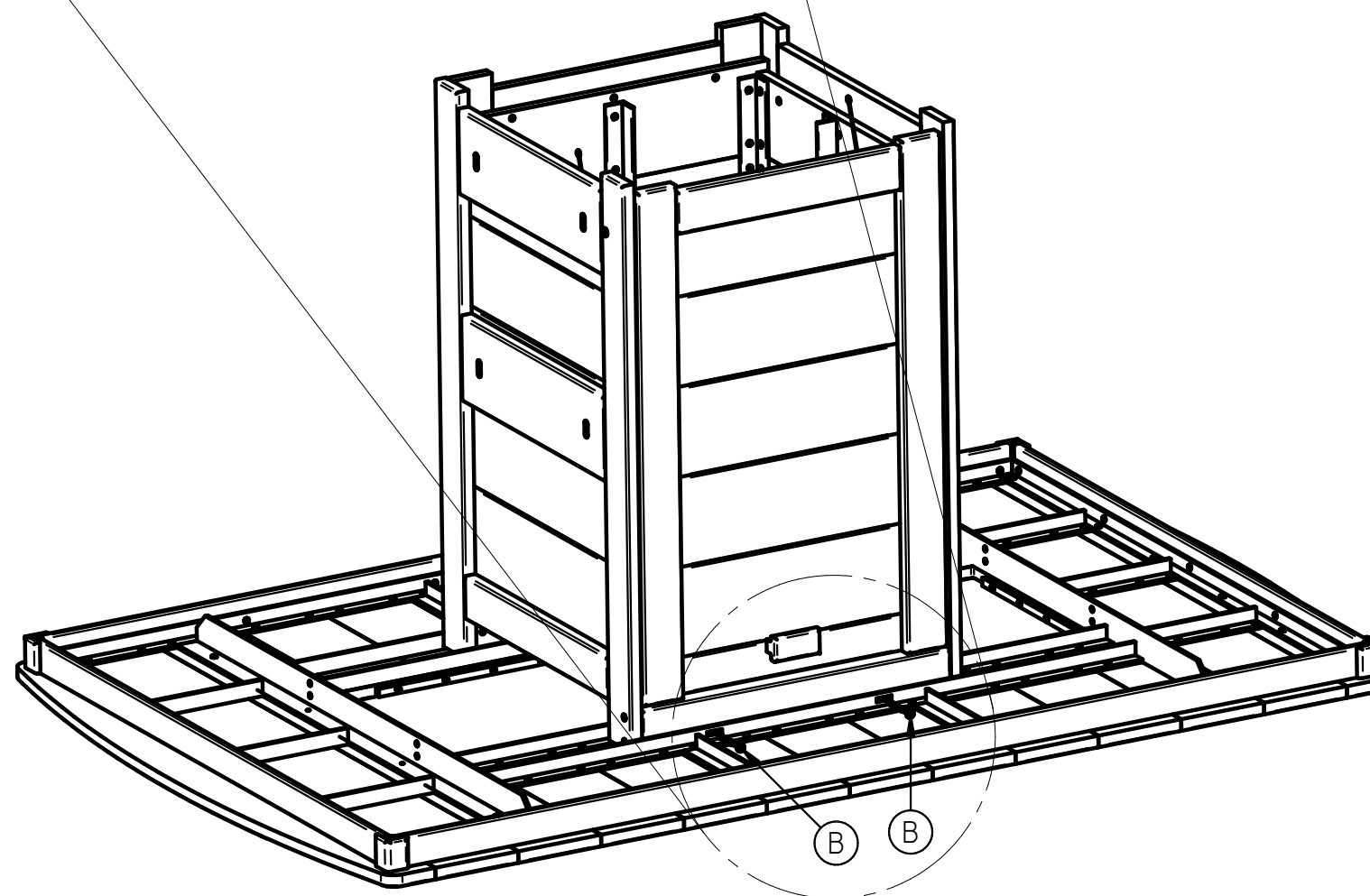


## Step 1

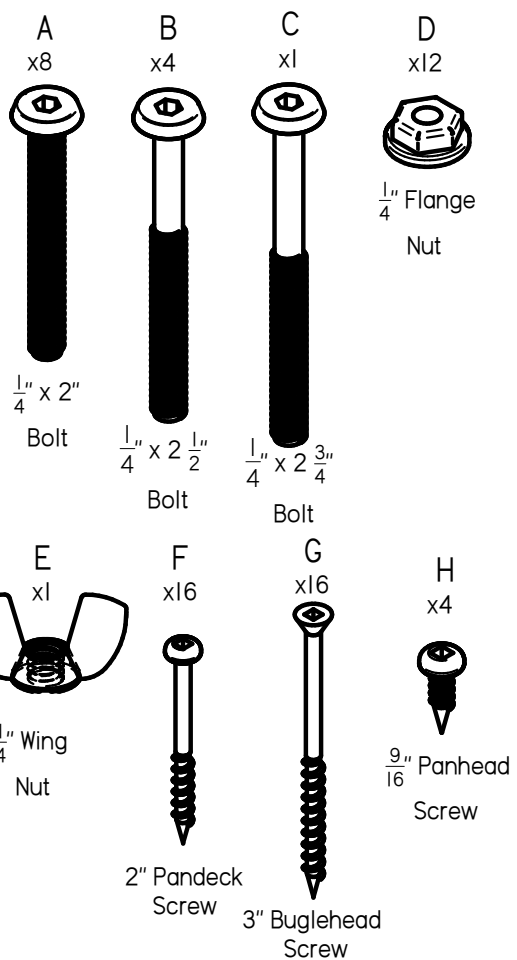
Open the box containing the Fire Table top on all sides but leave the top laying in the box for assembly steps 1 and 2.

Place the Propane Tank Cabinet onto the Fire Table Top and attach it using 4 -  $\frac{1}{4}$ " x  $2\frac{1}{2}$ " bolts (B) and 4 -  $\frac{1}{4}$ " flange nuts (D) as show.

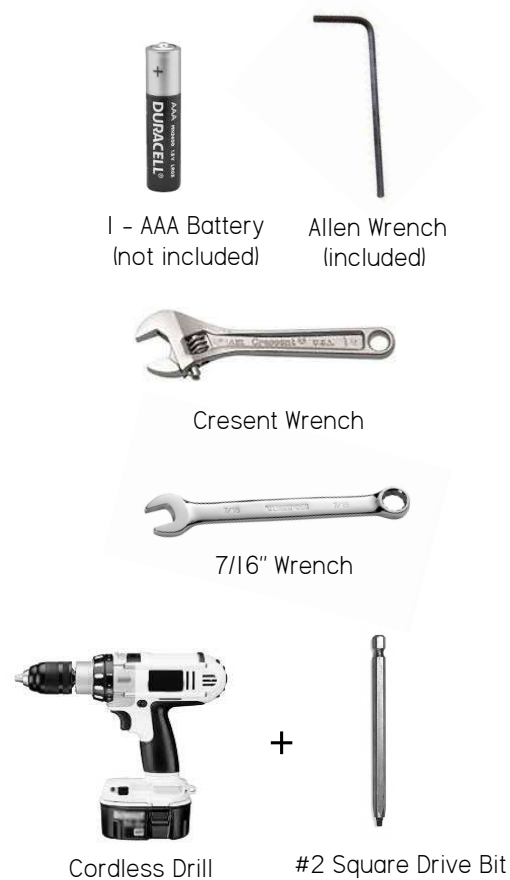
*Please Note:*  
Tightening the flange nuts requires reaching inside the tank cabinet.



### Hardware Included



### Tools / Items Needed

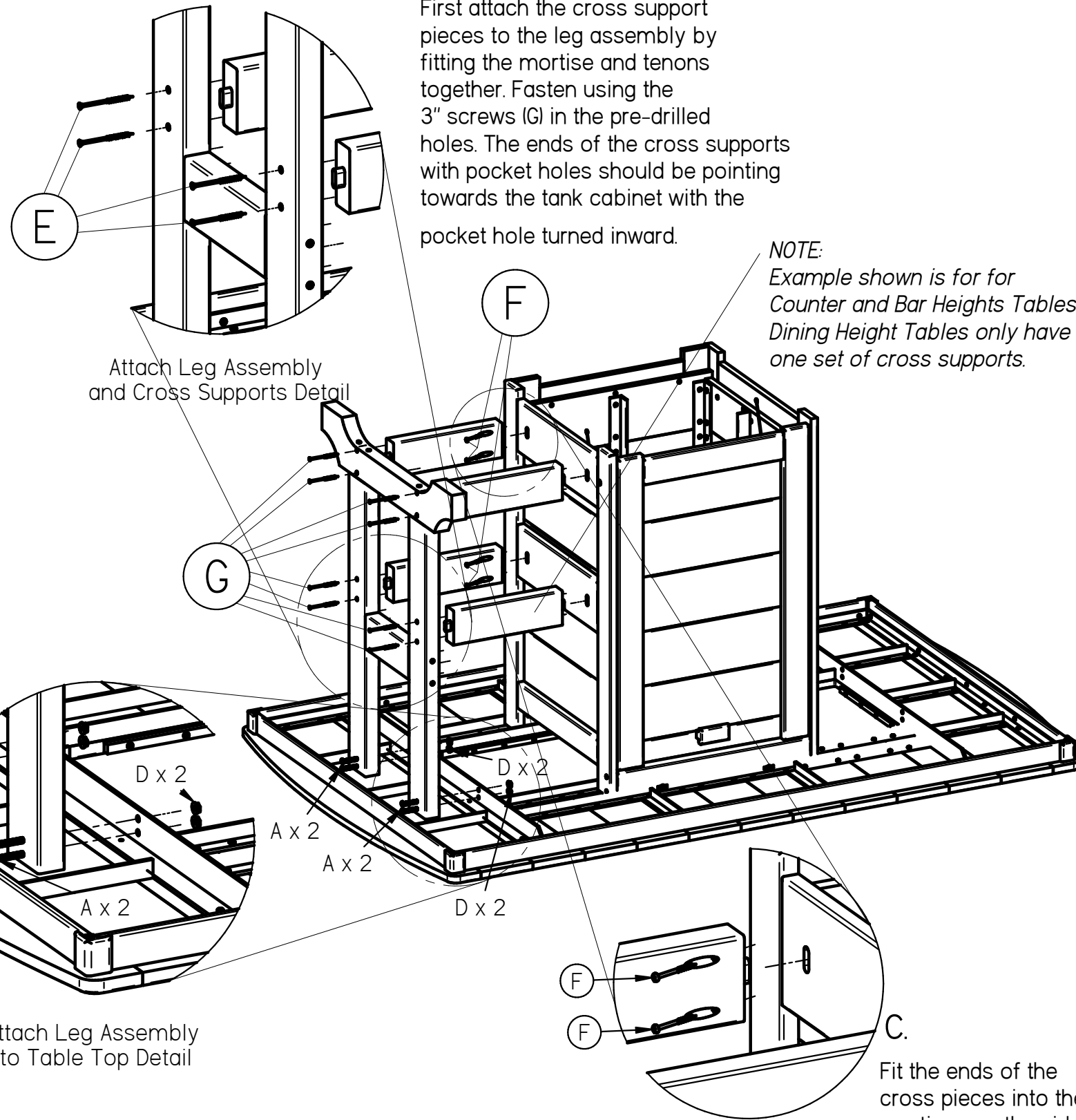


## Step 2

A.

First attach the cross support pieces to the leg assembly by fitting the mortise and tenons together. Fasten using the 3" screws (G) in the pre-drilled holes. The ends of the cross supports with pocket holes should be pointing towards the tank cabinet with the pocket hole turned inward.

NOTE:  
Example shown is for Counter and Bar Heights Tables  
Dining Height Tables only have one set of cross supports.



Attach Leg Assembly and Cross Supports Detail

Attach Leg Assembly to Table Top Detail

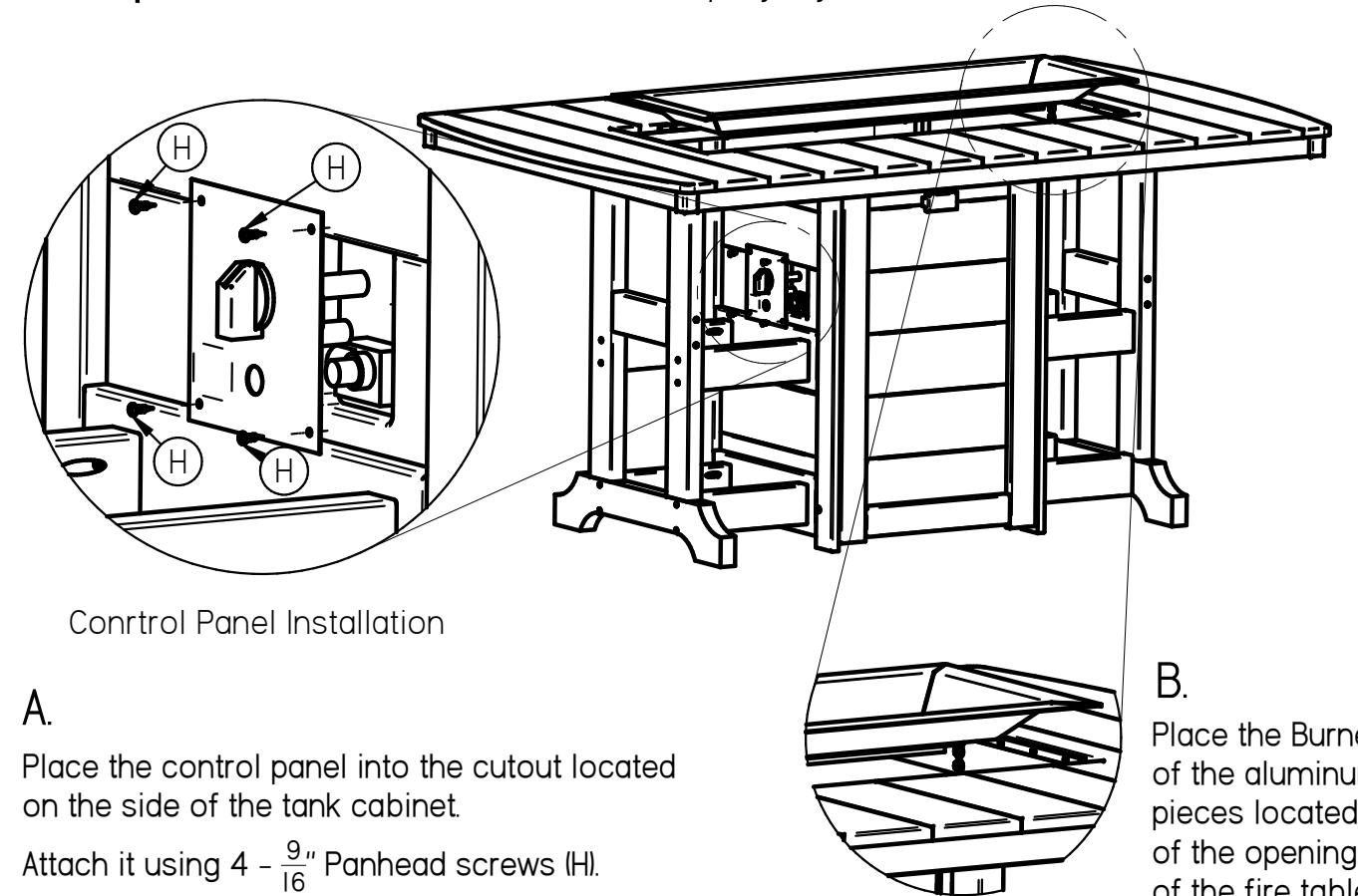
Attach Cross Supports to Cabinet Detail

C.  
Fit the ends of the cross pieces into the mortises on the side of the tank cabinet. Fasten using 2 - 2" Pandeck screws (F) for each cross piece.

Repeat Step 2 with the second leg assembly.

## Step 3

NOTE:  
For Burner installation, connecting gas, igniter and operation instructions, see The Outdoor Great Room Company Crystal Fire Manual that is included with the burner.



Control Panel Installation

A.

Place the control panel into the cutout located on the side of the tank cabinet.

Attach it using 4 -  $\frac{9}{16}$ " Panhead screws (H).

B.

Place the Burner on top of the aluminum support pieces located at the edge of the opening in the center of the fire table top.

## Step 4

A.

Place Propane Tank (not included) into the tank holder and tighten the metal band using 1 -  $\frac{1}{4}$ " x 2  $\frac{3}{4}$ " bolt (C) and 1 -  $\frac{1}{4}$ " wingnut (E).

B.

Spread the fire gems evenly throughout the burner. (These are included with the burner)



C.

Place the Glass Wind Guard on top of the Burner.

Your Fire Table is Complete!

WARNING!  
The Glass Wind Guard must always be in place when using your fire table!