



Assembly Guide

Applies for: DRFP4254, DRFT4254D, DRFT4254C, DRFT4254B



DRFT4254C

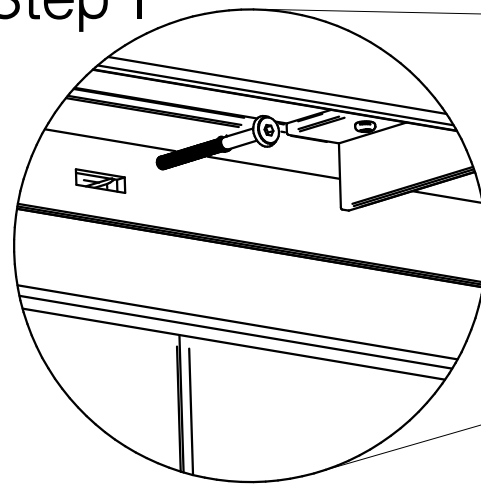
Donoma 42"x 54" Rectangular Fire Table
(Dining, Counter & Bar Heights)



DRFP4254

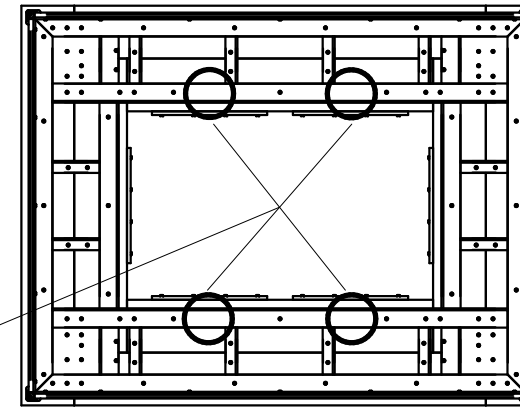
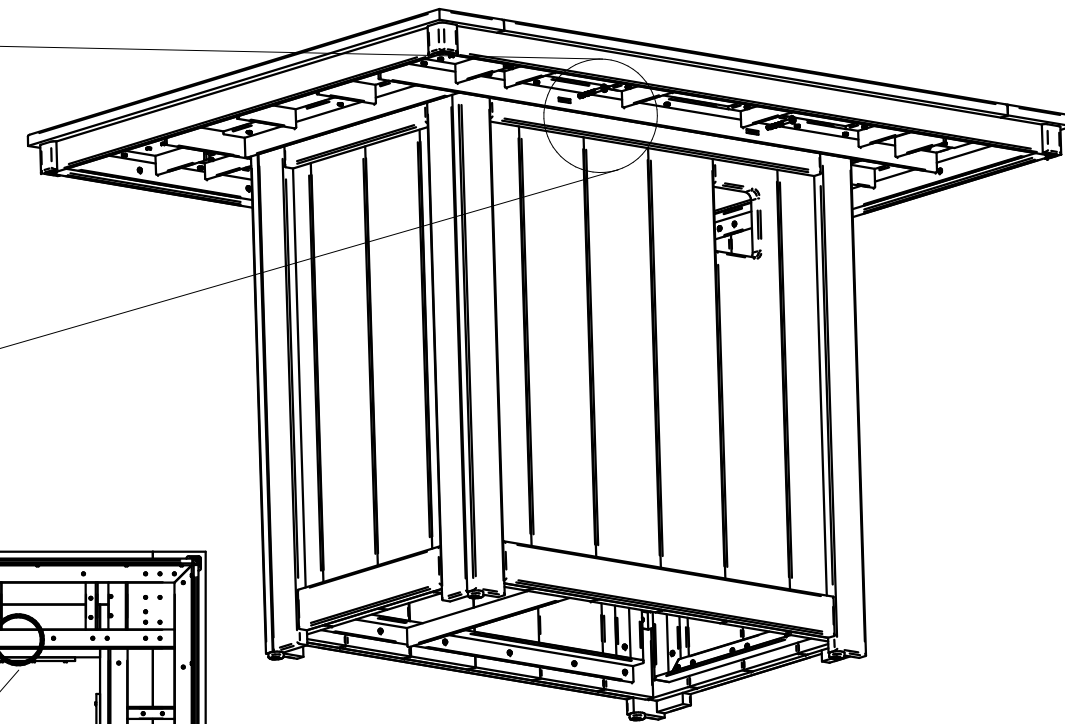
Donoma 42"x 54" Rectangular Fire Pit

Step 1



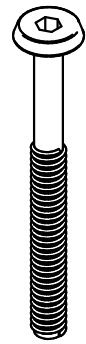
Top Assembly Detail

Fasten the Fire Pit Top to the Fire Pit Base by inserting four 1/4" x 2 1/2" bolts through the rectangular slots. The bolt heads should be on the outside of the base. Fasten on the inside of the base using the 1/4" Flange Nuts.



Locations of Slots for Bolts

Hardware Included



1/4" x 2 1/2" Bolts
(x4)



1/4" Flange Nuts
(x4)



3/4" Panhead Screws
(x4)

Tools / Items Needed



1 - AAA Battery
(not included)



Allen Wrench
(included)



Crescent Wrench



7/16" Wrench



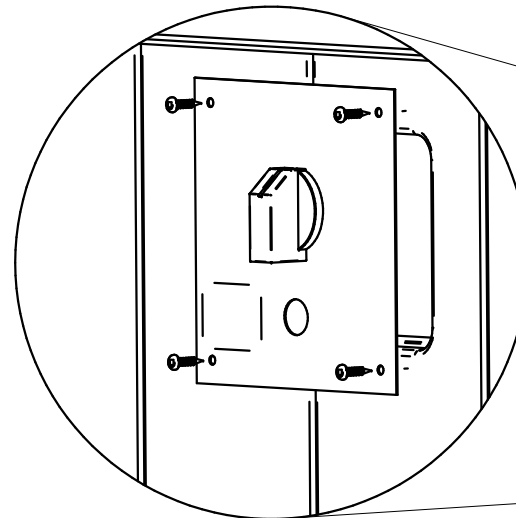
Cordless Drill

+



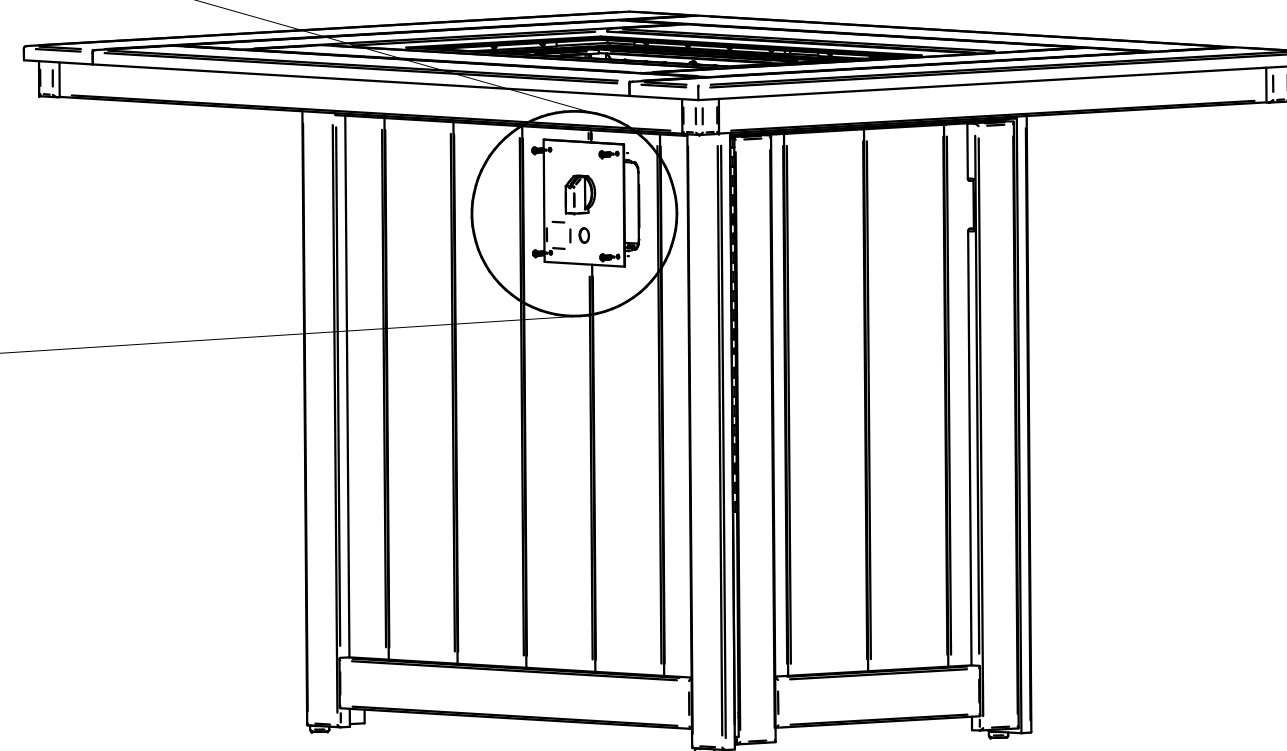
#2 Square Drive Bit

Step 2



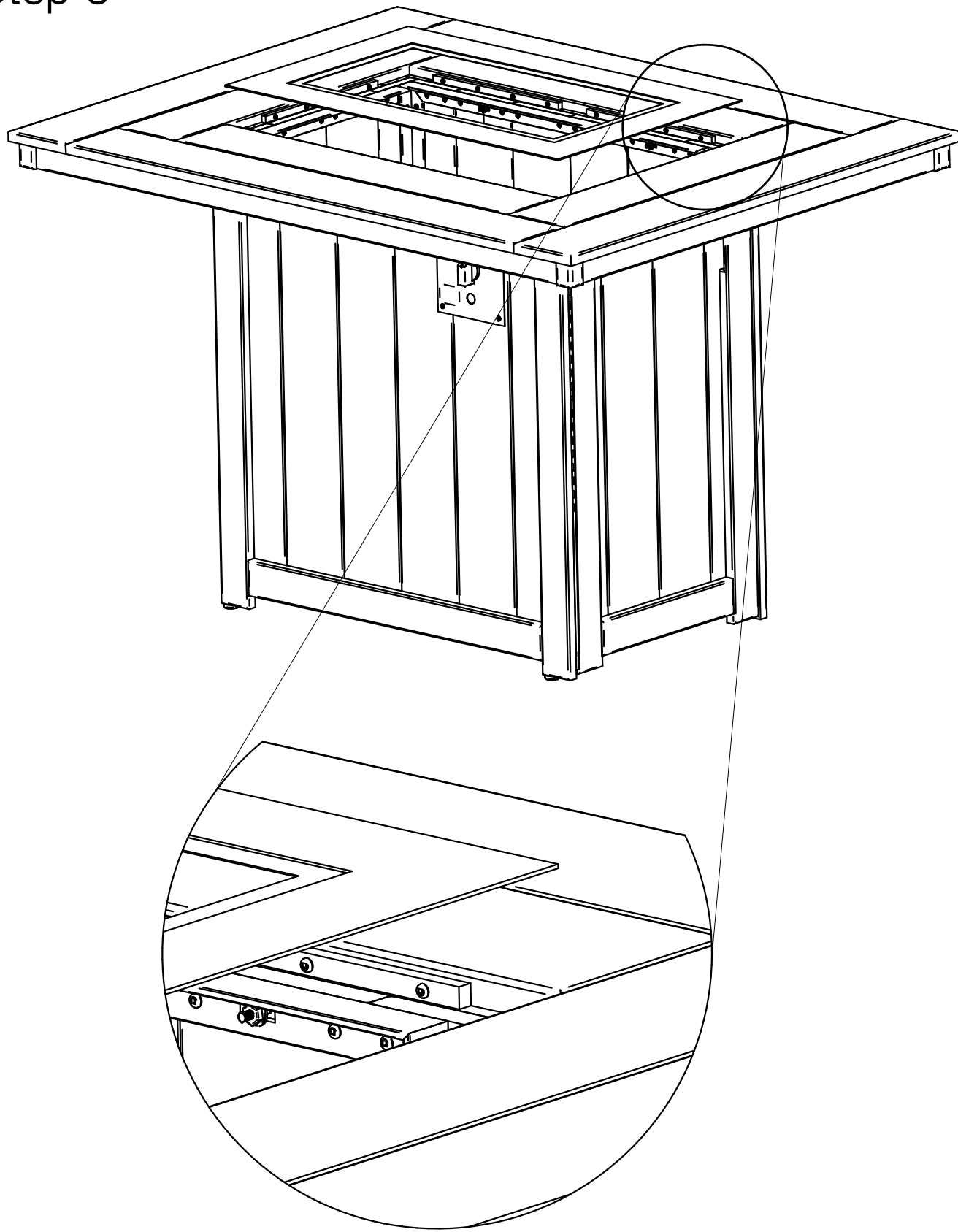
Control Panel Installation

Place the control panel into the cutout located in one of the long sides of the fire pit base. Fasten it using four 3/4" Panhead Screws.



When tightening screws or lags, **DO NOT OVERTIGHTEN** to avoid stripping their hold on the material!

Step 3



Stainless Steel Heat Barrier Placement

Place the stainless steel heat barrier on top of the aluminum support pieces located at the edge of the opening in the center of the fire pit top. Ensure that the recessed edge of the heat barrier is turned upward and remove the protective sticker.

Step 4

Place the Burner on top of the recessed edge of the Stainless Steel Heat Barrier.

For Installation of the Burner, connecting gas, igniter and operation instructions, see The Outdoor Great Room Company Crystal Fire Manual that is included with the Burner.



Step 5

A.
Place Propane Tank on Tank Carrier and slide into the base and close the door.

B.
Spread Fire Pit Gems into the burner evenly.

C.
Place the Glass Wind Guard on top of the Heat Barrier so that the burner is centered in it.

Your Fire Pit or Table is complete!

