

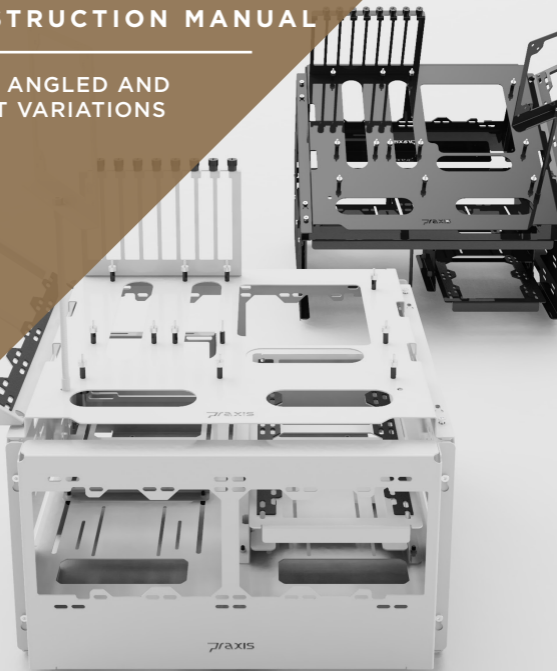
**7raxis**

# ***WETBENCHSX***

**INSTRUCTION MANUAL**

---

**FOR ANGLED AND  
FLAT VARIATIONS**



# CONTENTS

<b>INCLUDED MOUNTING HARDWARE</b> .....	3
<b>SLANTED WETBENCH INSTALL</b> .....	4
LEG & MIDTRAY INSTALL .....	5
HDD/SSD BRACKET INSTALL .....	6
HDD/PSU/SSD DRIVES INSTALL .....	7
MOTHERBOARD STANDOFFS INSTALL .....	10
ATTACHING MOTHERBOARD & GPU BRACKET .....	11
MOTHERBOARD INSTALL .....	12
BACK RADIATOR TRAY INSTALL .....	13
BACK RADIATOR TRAY VARIATIONS.....	14
AIO/RADIATOR TRAY INSTALL.....	15
<b>FLAT WETBENCH INSTALL</b> .....	16
LEG & MIDTRAY INSTALL .....	17
HDD/PSU BRACKET INSTALL.....	18
HDD/PSU/SSD DRIVES INSTALL .....	19
MOTHERBOARD STANDOFFS INSTALL .....	22
ATTACHING MOTHERBOARD & GPU BRACKET .....	23
MOTHERBOARD INSTALL .....	24
BACK RADIATOR TRAY INSTALL .....	25
BACK RADIATOR TRAY VARIATIONS.....	26
AIO TRAY INSTALL.....	27
<b>VANDAL SWITCH WIRING</b> .....	28
<b>BOTTOM RADIATOR/HDD BRACKET (NOT INCLUDED IN BASE MODEL)</b> .....	30
<b>FAN ARM MOUNT (NOT INCLUDED IN BASE MODEL)</b> .....	31
<b>WETBENCH COMPATIBILITY</b> .....	BACK

# MOUNTING HARDWARE



PART #	PART NAME	QTY
1	M3 MOTHERBOARD NUT	14
2	M4X6 LOWHEAD SCREW	22
3	12MM MOTHERBOARD STANDOFF	14
4	M3X5MM SSD NYLON SCREW	14
5	M3X8 GPU BRACKET SCREW	10
6	M4X8MM BAY DRIVE NYLON SCREW	10
7	6/32 .25" HDD NYLON SCREW	14
8	M3 MOTHERBOARD SCREW	14
9	2.5MM HEX KEY WRENCH	1

# WETBENCH HARDWARE

SLANTED VARIATION

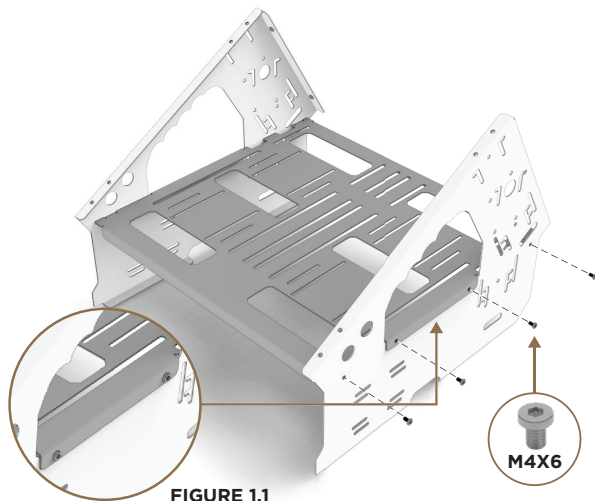
ITEM #	PART NAME	QTY
1	MOTHERBOARD TRAY	1
2	MID TRAY	1
3	LEFT & RIGHT SLANTED LEGS	1
4	BACK RADIATOR TRAY	1
5	AIO BRACKET (OPTIONAL)	1
6	FRONT AND BACK PSU BRACKET	1
7	5.25" BAY BRACKET	2



**NOTE:** If you purchased the flat bench turn to page 14 for instructions. Slanted legs can be bought separately.

## STEP 1 | INSTALLING LEGS TO MIDTRAY

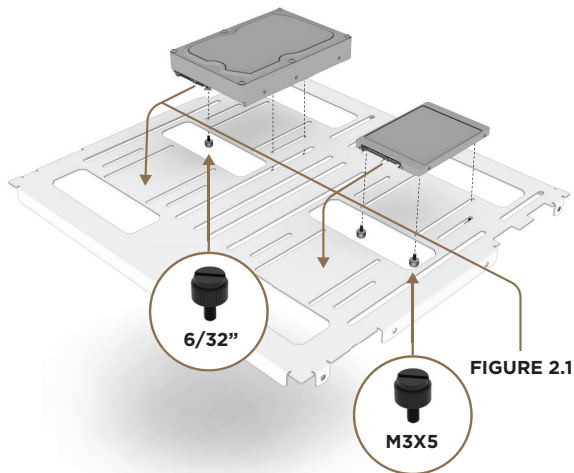
SLANTED VARIATION



Gather the **Midtray** and both **legs**. Attach them using **4 M4X6 lowhead screws (part 2)** on each side. Be sure that the midtray overlaps the legs as Figure 1.1 shows.

## STEP 2 | INSTALL HDD/SDD TO TRAY

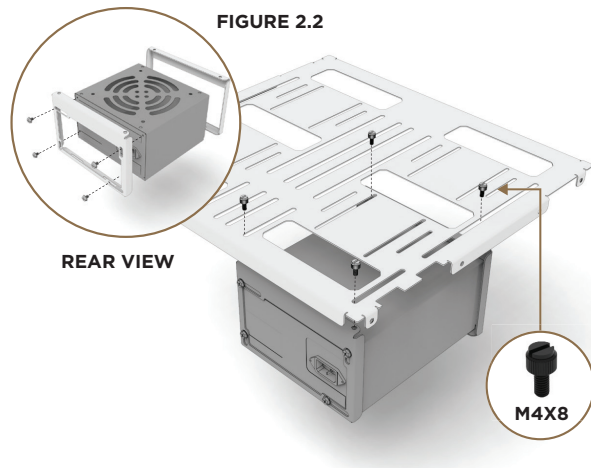
SLANTED VARIATION



Install any HDD or SSD on top of the mid tray. These drives can be oriented on either front or back depending on your preference (Figure 2.1). If you bought the optional bottom bracket go to page 8 for instructions. SSD's use **M3x5 nylon screws (part 4)** and HDD's utilize **6/32" .25 nylon screws (part 7)**.

## STEP 2.1 | INSTALL PSU TO BRACKET

SLANTED VARIATION

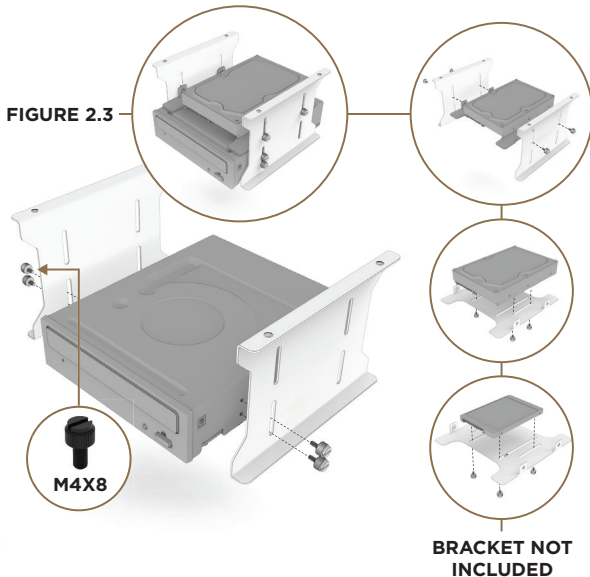


After your drives are installed you can screw in your back PSU bracket to your PSU (Figure 2.2).

**Note:** If you purchased the bottom HDD bracket go to page 8 for further instructions.

## STEP 2.2 | OPTICAL DRIVE INSTALL

SLANTED VARIATION

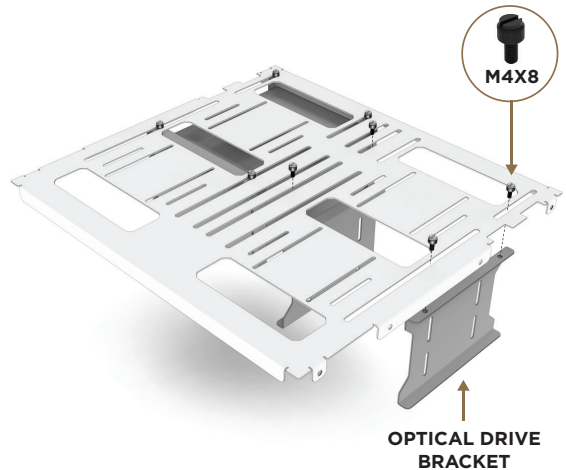


Use **M4x8 nylon screws (part 4)** to install your optical drive. If you're not using one you can disregard this step.

**Note:** If you purchased the HDD/SDD bottom bracket follow figure 2.3.

## STEP 2.3 | ODD BRACKET INSTALL

SLANTED VARIATION

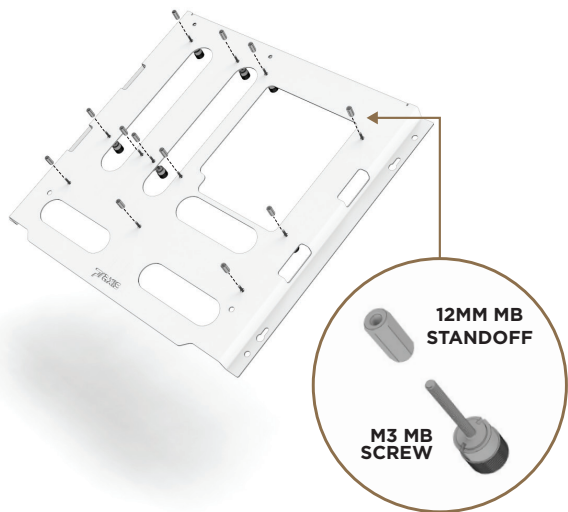


After your drives and/or ODD is installed you can install your brackets onto the midtray using **M4x8 nylon screws (part 4)**.

**Note:** These brackets are modular and can be oriented on both the left and right side and slid forward and backwards.

## STEP 3 | INSTALLING MB STANDOFFS

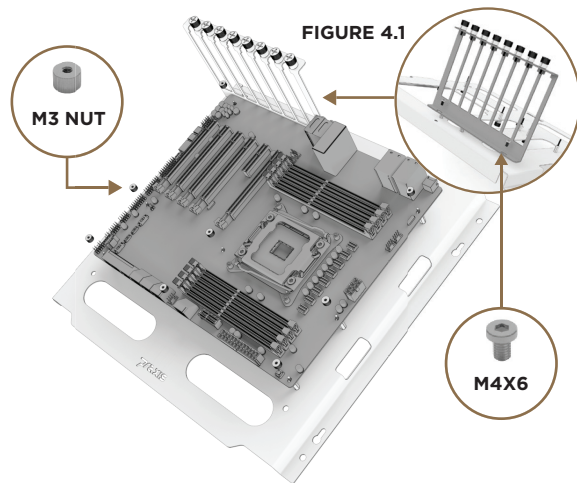
SLANTED VARIATION



Install your 12mm standoffs (part 3) and your M3 motherboard screws (Item 8) to the motherboard tray. Ensure that you're placing them in the correct location according to your motherboard layout. You can also use a drill at it's **lowest** setting to screw in the standoffs to the motherboard screws.

## STEP 4 | MB & GPU BRACKET INSTALL

SLANTED VARIATION



After your standoffs are installed, place your motherboard and hand tighten the M3 nuts (part 1) to properly secure your board. Then use 2 M4x6 (part 2) and install the GPU bracket as illustrated in Figure 4.1.

## STEP 4.1 | INSTALLING MB TRAY

SLANTED VARIATION

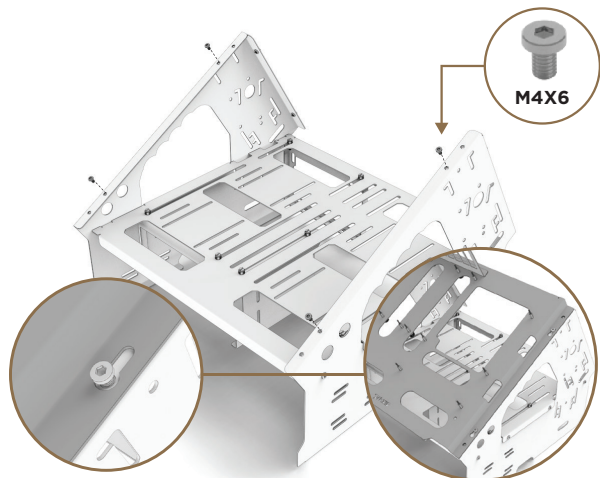


FIGURE 4.3

FIGURE 4.2

Screw in **2 M4x6 lowhead screws (part 2)** to the front of each leg. Don't completely tighten these (figure 4.3) as the motherboard tray will slide under the screws as shown in figure 4.2. After installing the motherboard, you can either tighten the screws down or keep them loose for easy disconnect.

## STEP 5 | BACK RAD INSTALL

SLANTED VARIATION

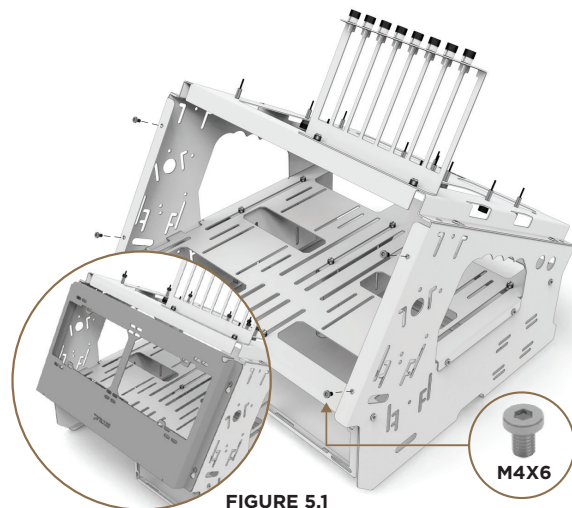
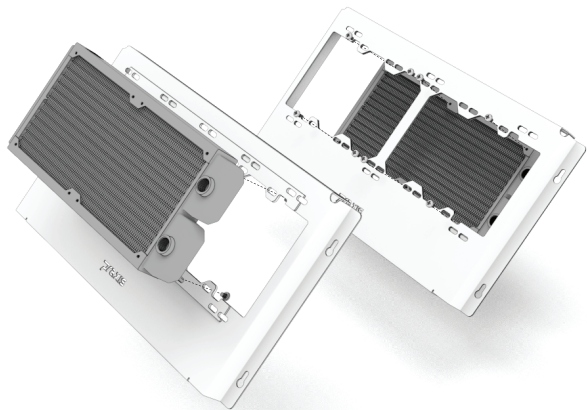


FIGURE 5.1

Spin your wetbench to the back and place **2 M4x6 lowhead screws (part 2)** on each leg. As with previous step, keep these loose so your radiator mount can be slid on and off (figure 5.1). Once everything is installed you can tighten down the radiator bracket or keep it as is for easy disconnect.

## STEP 5.1 | BACK RAD VARIATIONS

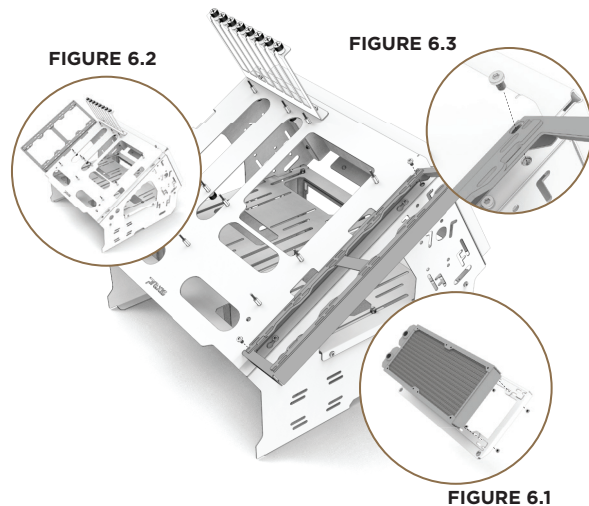
SLANTED VARIATION



The radiator tray can hold up to a 280mm radiator internally and a 480 radiator externally. We recommend utilizing the hardware that came with your radiator for install. Rubber pads are included for both protection and decreased vibration.

## STEP 6 | INSTALLING AIO/RAD TRAY

SLANTED VARIATION



The Aio/radiator bracket can be used on either side of the wetbench (Figure 6.2). Use **2 M4x6 lowhead screws (part 2)** to attach the bracket to the side of the motherboard tray (figure 6.3). Up to a 480mm radiator can be installed. Additional brackets can be purchased if more radiators are needed.



# WETBENCH HARDWARE

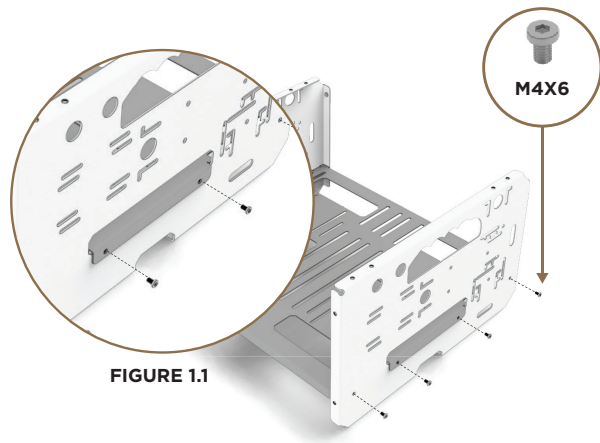
FLAT VARIATION

ITEM #	PART NAME	QTY
1	MOTHERBOARD TRAY	1
2	MID TRAY	1
3	LEFT & RIGHT FLAT LEGS	1
4	BACK RADIATOR TRAY	1
5	AIO BRACKET (OPTIONAL)	1
6	FRONT AND BACK PSU BRACKET	1
7	5.25" BAY BRACKET	2



## STEP 1 | INSTALLING LEGS TO MIDTRAY

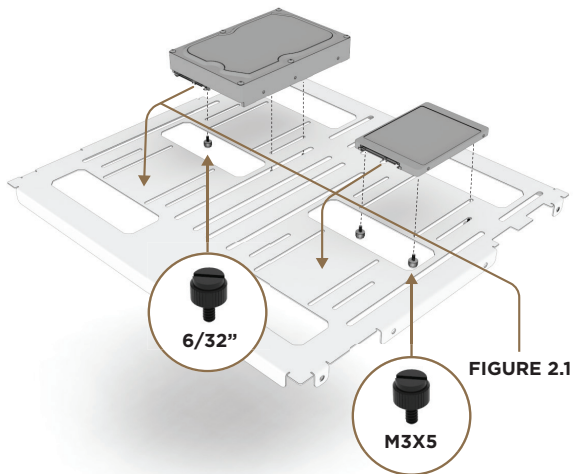
FLAT VARIATION



Gather the **Midtray** and both **legs**. Attach them using **4 M4X6 lowhead screws (part 2)** on each side. Be sure that the midtray overlaps the legs as Figure 1.1 shows.

## STEP 2 | INSTALL HDD/SDD TO TRAY

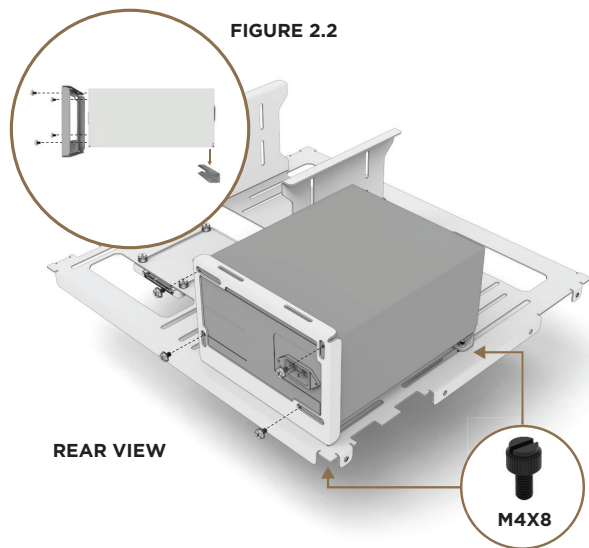
FLAT VARIATION



Install any HDD or SSD on top of the mid tray. These drives can be oriented on either front or back depending on your preference (Figure 2.1). If you bought the optional bottom bracket go to page 8 for instructions. SSD's use **M3x5 nylon screws (part 4)** and HDD's utilize **6/32" .25 nylon screws (part 7)**.

## STEP 2.1 | INSTALL POWER SUPPLY

FLAT VARIATION

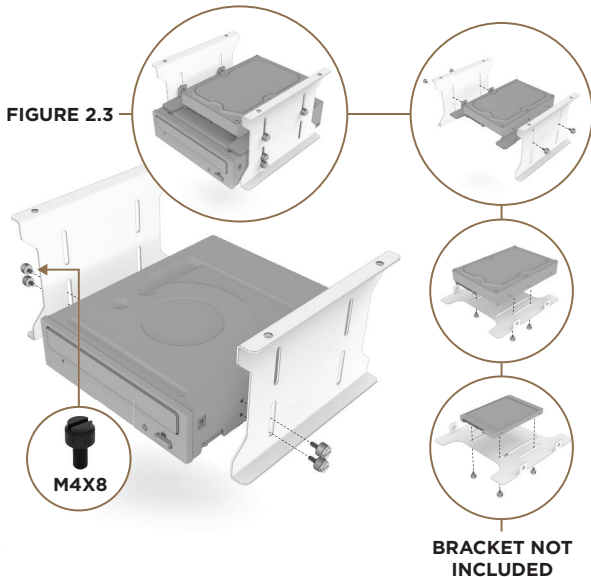


After your drives are installed you can screw in the back PSU bracket to your PSU (Figure 2.2).

**Note:** If you purchased the bottom HDD bracket go to page 8 for further instructions.

## STEP 2.2 | OPTICAL DRIVE INSTALL

FLAT VARIATION

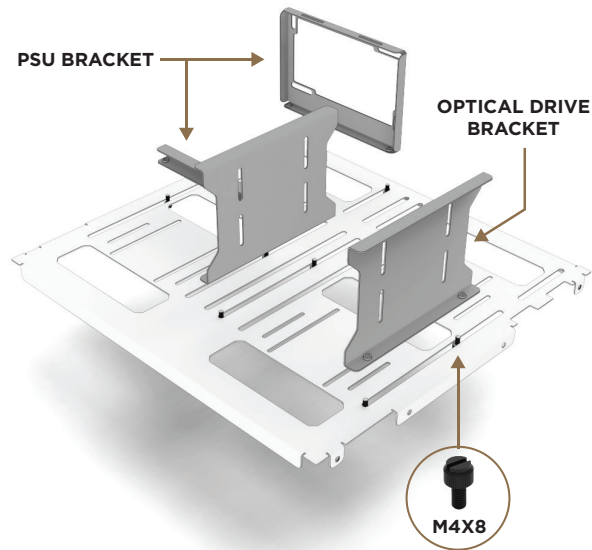


Use **M4x8 nylon screws (part 4)** to install your optical drive. If you're not using one you can disregard this step.

**Note:** If you purchased the HDD/SDD bottom bracket follow figure 2.3.

## STEP 2.3 | ODD BRACKET INSTALL

FLAT VARIATION

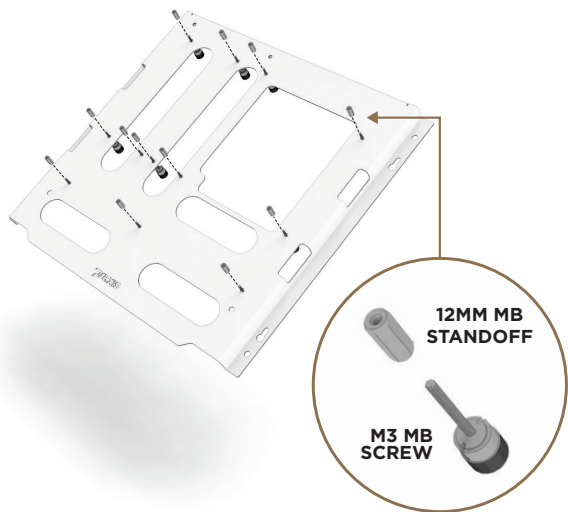


After your drives and/or ODD is installed you can install your brackets onto the midtray using **M4x8 nylon screws (part 4)**.

**Note:** These brackets are modular and can be oriented on both the left and right side and slid forward and backwards.

## STEP 3 | INSTALLING MB STANDOFFS

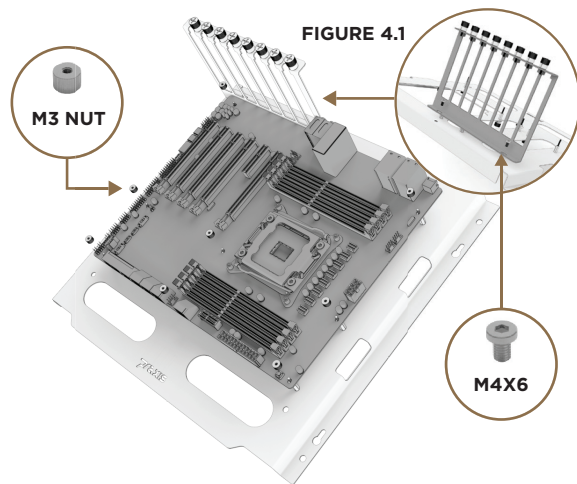
FLAT VARIATION



Install your 12mm standoffs (part 3) and your M3 motherboard screws (Item 8) to the motherboard tray. Ensure that you're placing them in the correct location according to your motherboard layout. You can also use a drill at it's lowest setting to screw in the standoffs to the motherboard screws.

## STEP 4 | ATTACHING MOTHERBOARD

FLAT VARIATION



After your standoffs are installed, place your motherboard and hand tighten the M3 nuts (part 1) to properly secure your board. Then use 2 M4x6 (part 2) and install the GPU bracket as illustrated in Figure 4.1.

## STEP 4.1 | INSTALLING MOTHERBOARD

FLAT VARIATION

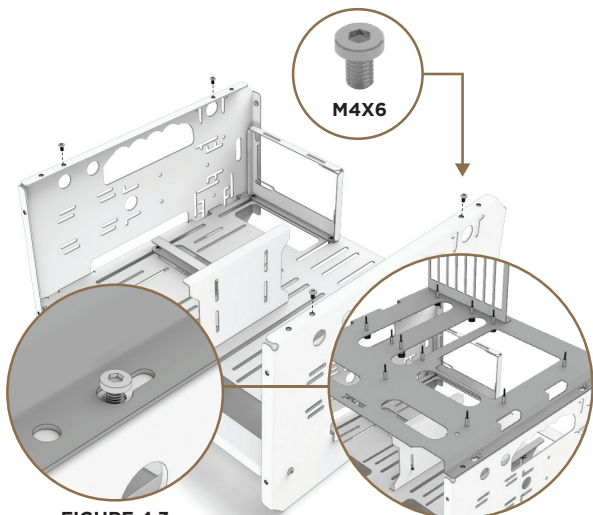


FIGURE 4.3

FIGURE 4.2

Screw in **2 M4x6 lowhead screws (part 2)** to the front of each leg. Don't completely tighten these (figure 4.3) as the motherboard tray will slide under the screws as shown in figure 4.2. After installing the motherboard, you can either tighten the screws down or keep them loose for easy disconnect.

## STEP 5 | INSTALLING RADIATOR TRAY

FLAT VARIATION

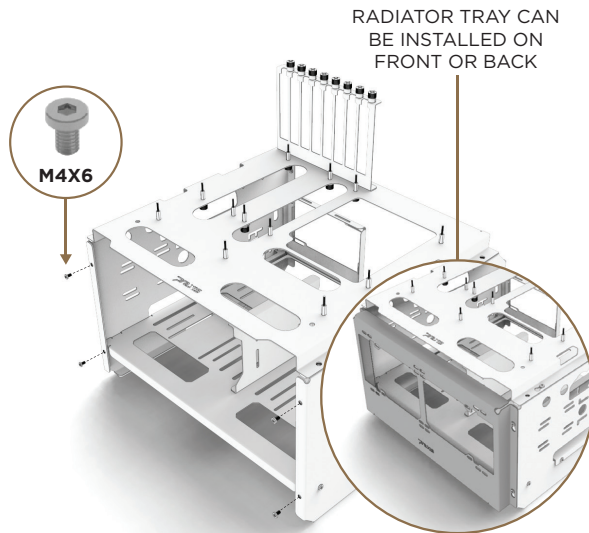
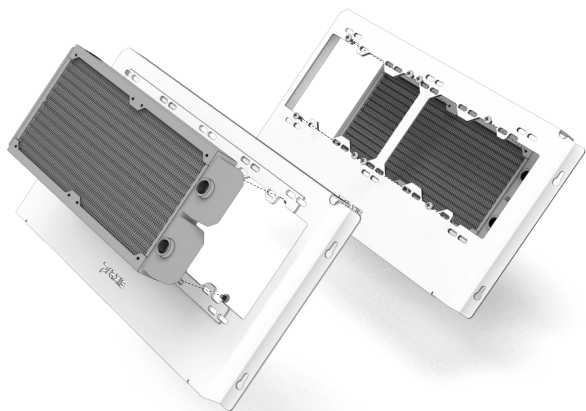


FIGURE 5.1

Spin your wetbench to the back and place **2 M4x6 lowhead screws (part 2)** on each leg. As with previous step, keep these loose so your radiator mount can be slid on and off (figure 5.1). Once everything is installed you can tighten down the radiator bracket or keep it as is for easy disconnect.

## STEP 5.1 | RAD INSTALL VARIATIONS

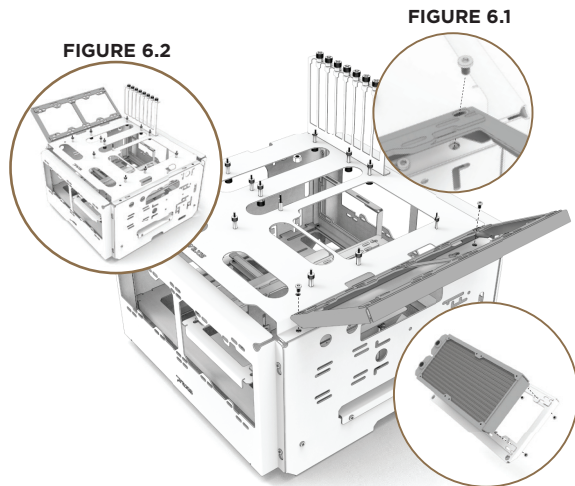
FLAT VARIATION



The radiator tray can hold up to a 280mm radiator internally and a 480 radiator externally. We recommend utilizing the hardware that came with your radiator for install.

## STEP 6 | INSTALLING AIO/RAD TRAY

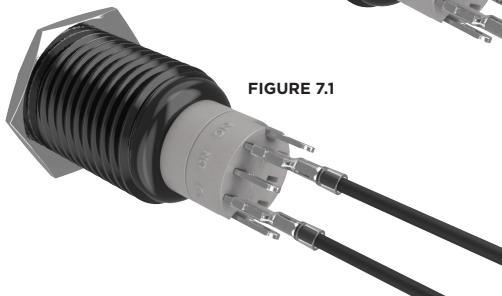
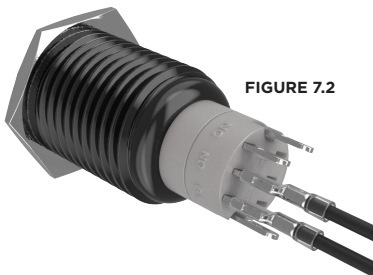
FLAT VARIATION



The Aio/radiator bracket can be used on either side of the wetbench (Figure 6.2). Use **2 M4x6 lowhead screws (part 2)** to attach the bracket to the side of the motherboard tray (figure 6.3). Up to a 480mm radiator can be installed. Additional brackets can be purchased if more radiators are needed.

## WIRING VANDAL SWITCH

SLANTED & FLAT VARIATION

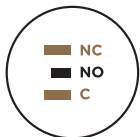


### Wiring vandal switch for power:

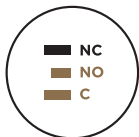
Take the power SW cord and attach the NC and C prong. Then connect the other end to the POWER on the motherboard.

### Wiring vandal switch for reset:

Attach the two remaining two cables to the NO and C prong. Then connect the other end to the Reset on the motherboard.



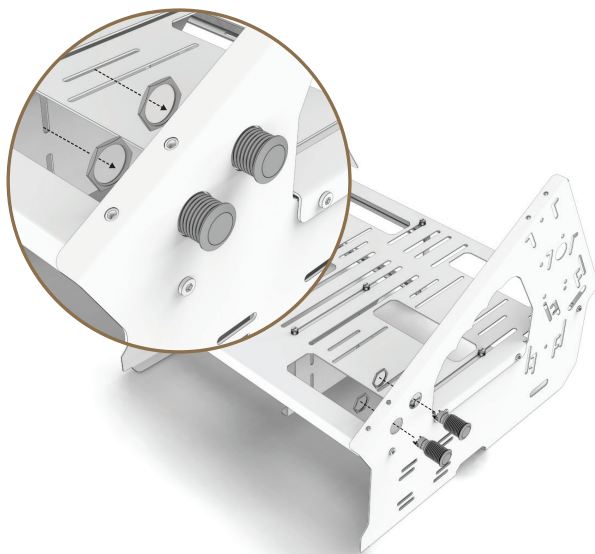
**POWER**  
FIGURE 7.1



**RESET**  
FIGURE 7.2

## INSTALLING VANDAL SWITCH

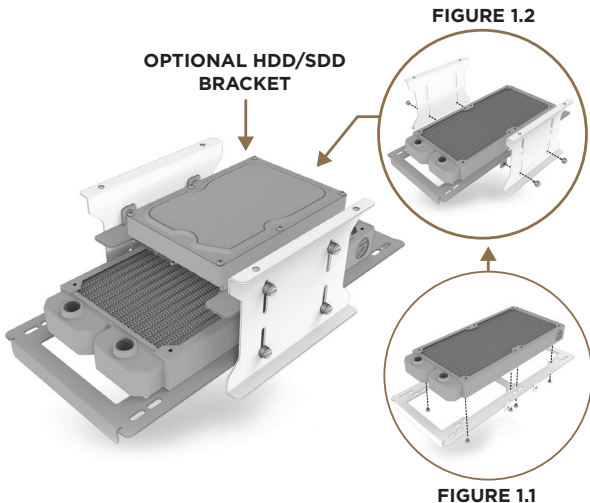
SLANTED & FLAT VARIATION



Your 16mm vandal switches can be installed on either the right or left leg. Use the supplied hardware to properly secure your vandal switch. We also recommend wiring the switches and testing before installing them to your wetbench.

## INSTALLING BOTTOM RAD BRACKET

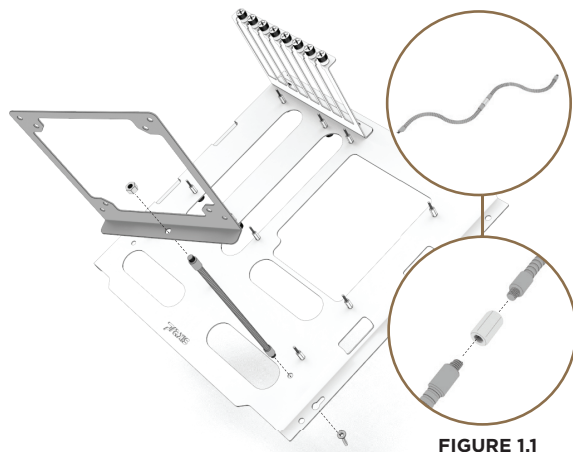
NOT INCLUDED WITH BASE MODELS



Attach your radiator to the bracket as shown in figure 1.1. Next install the radiator bracket to your bay brackets (figure 1.2). Adjust the radiator vertically or rotate 180 degrees depending on where you need your radiator ports. This item is sold separately along with the HDD/SDD bracket.

## FAN MOUNT ARM INSTALL

NOT INCLUDED WITH BASE MODELS



Attach the fan arm to the fan bracket. Then find your desired location and attach the fan arm to the motherboard tray. If you need a longer fan arm, you can order a secondary adapter as shown in figure 1.1.



# WETBENCHSX

## COMPATIBILITY

### MOTHERBOARD

MITX, mATX, ATX, eATX

---

### OPTICAL DRIVES

Up to two 5.25" drives, can support dual 5.25" bay reservoir

---

### STORAGE DRIVES

4 HDD or 4 SSD  
3 HDD and 1 SSD  
2 HDD and 2 SSD  
1 HDD and 3 SSD

SSDs up to 2.5" and HDDs up to 3.5" are supported

*An additional 2 drives can be mounted through the optional HDD/SDD tray. Tray is sold separately.*

---

### PSU

ATX PSUs up to 300mm supported

---

### SWITCHES

Up to 4x 16mm Vandal Switches

---

### RESERVOIRS

Full Primochill line up is supported\*

*\* 120MM CTR reservoirs are supported without additional mounting kits. Larger reservoirs require an additional mounting kit that can be found on primochill.com. Standard mounting patterns are provided for non-Primochill brand reservoirs.*

### RADIATOR | BACK BRACKET

#### INTERNALLY

120MM - 240MM  
140MM - 280MM

#### EXTERNALLY

120MM - 480MM  
140MM - 560MM

*No thickness limit*

Up to 4 radiators can be mounted via additional brackets.

---

### RADIATOR | BOTTOM BRACKET

240MM - 280MM

*40MM thickness limit when using other bracket add-ons. No thickness limit otherwise.*

---

### RADIATOR | AiO/SIDE BRACKET

#### AiO

All-in-One units with 13" tubes have been tested.

*Up to two AiO units supported via additional bracket.*

---

#### RADIATORS

120MM - 480MM  
140MM - 560MM

*40mm radiator thickness limit is recommended due to weight. Up to two radiators are supported via additional brackets.*