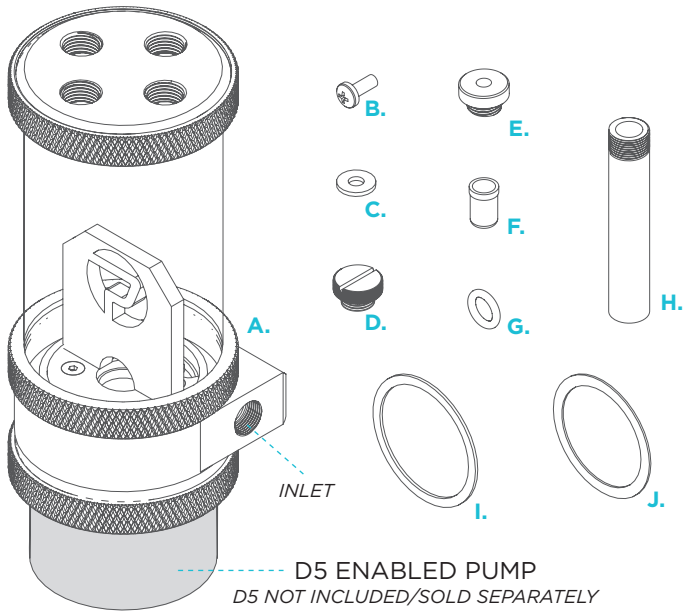
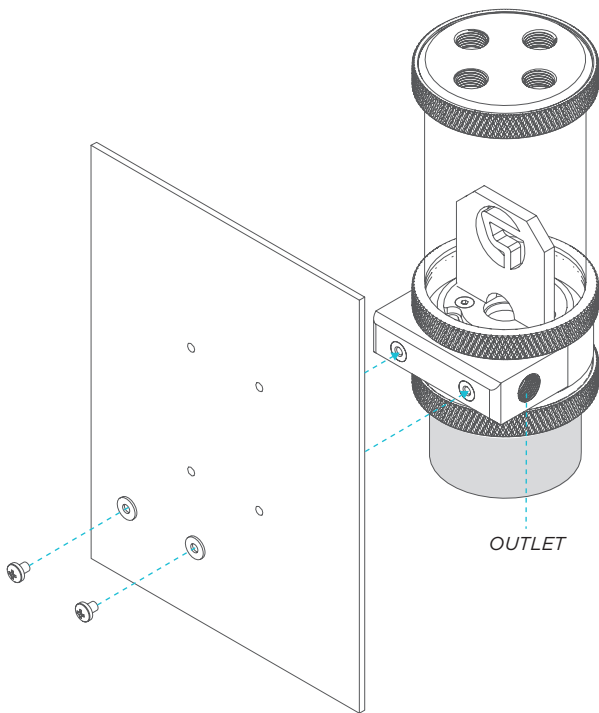


PARTS LIST



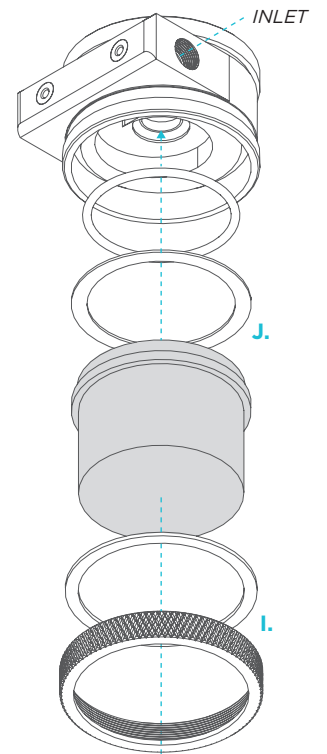
PART NAME	PART #	QTY
SFF PHASE II CTR	A	1
M4x10 Mounting Screws	B	2
Lock Washer - M4 Black	C	2
Low Profile Black Port Cap	D	2
LED Port Cap	E	1
LED Rubber Stop Plug	F	4
Port Cap Orings	G	4
4" Threaded PETG Flow Stick	H	1
Acrylic Shim	I	1
Rubber Shim	J	1

MOUNTING



- 1 | ATTACH WASHERS AND SCREWS THROUGH DESIRED LOCATION
- 2 | ATTACH THEM TO THE D5 ENABLED PUMP HEAD AND TIGHTEN FIRMLY

! HAND TIGHTEN SCREWS. OVER TIGHTENING IS NEVER RECOMMENDED.



D5 PUMP MOUNTING
D5 NOT INCLUDED/SOLD SEPARATELY