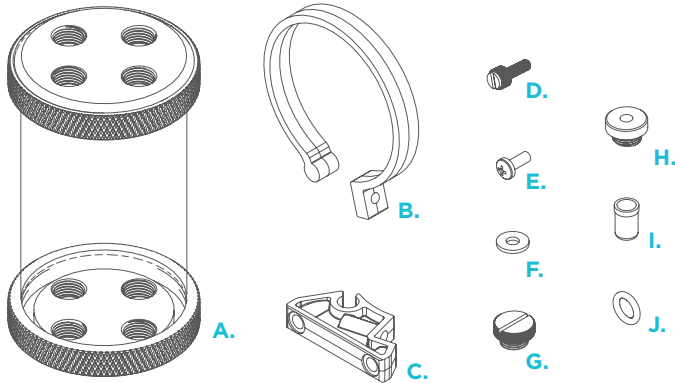


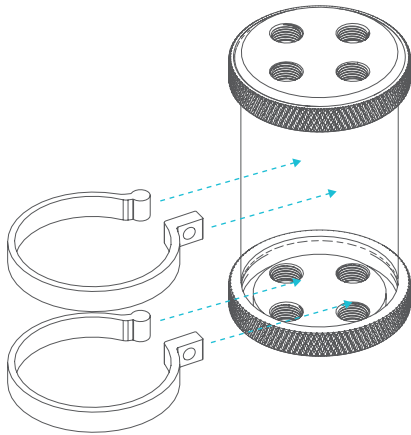
PARTS LIST



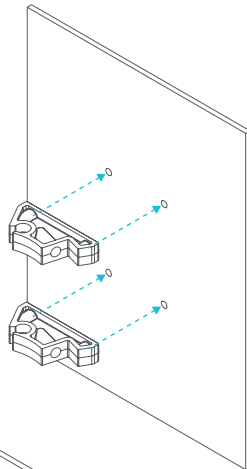
PART NAME	PART	QTY
Assembled Low Profile CTR	A	1
Mounting Bracket	B	1 or 2
Mounting Base	C	1 or 2
Mounting Bracket Poly Thumbscrew	D	1 or 2
Mounting Screws - M4 x 10	E	2 or 4
Lock Washer - M4 Black	F	2 or 4
Low Profile Black Port Cap	G	4
LED Port Cap	H	2
LED Rubber Stop Plug	I	2
Port Cap Orings	J	6

MOUNTING

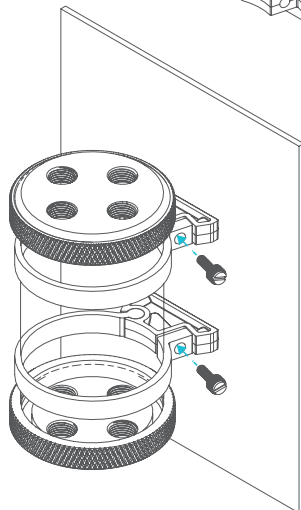
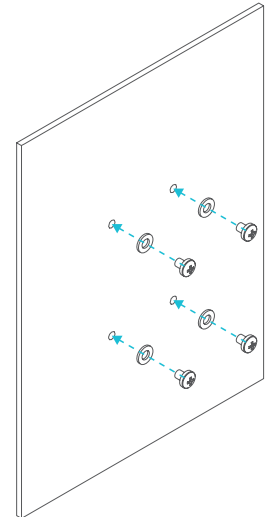
1 | SLIDE RINGS OVER COMPLETED CTR



2 | LINE UP THE BRACKETS TO DESIRED MOUNTING DESTINATION



3 | SCREW IN BOTH BRACKETS FROM REAR



4 | ATTACH CTR AND SECURE WITH NYLON SCREWS

! HAND TIGHTEN SCREWS. OVER TIGHTENING IS NEVER RECOMMENDED.