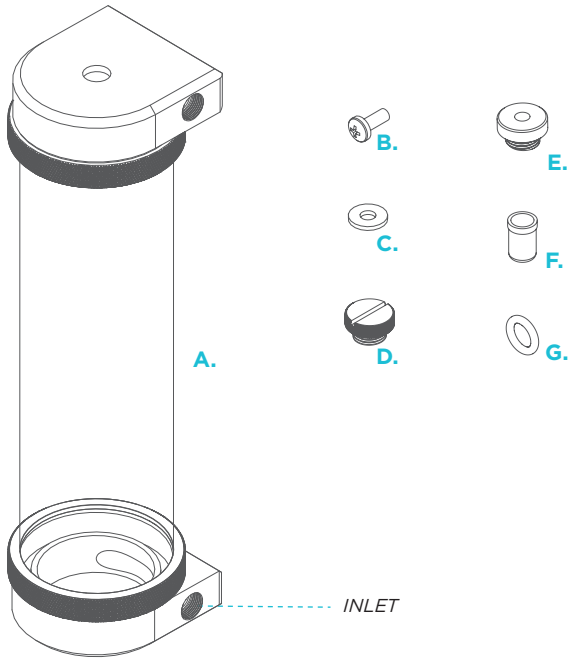
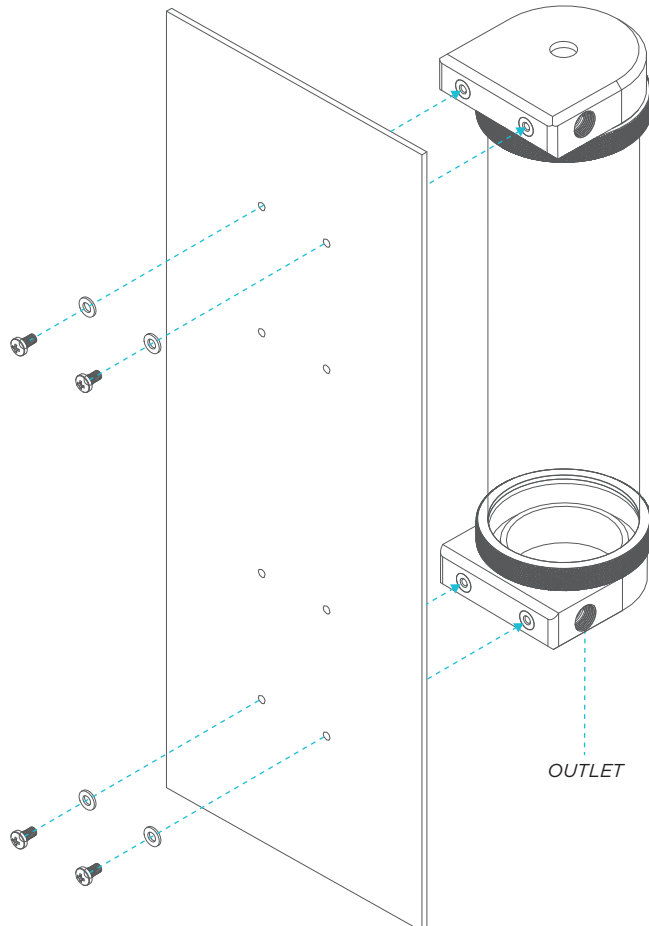


PARTS LIST



PART NAME	PART #	QTY
Hardmount Phase II CTR	A	1
M4x10 Mounting Screws	B	4
Lock Washer - M4 Black	C	4
Low Profile Black Port Cap	D	3
LED Port Cap	E	1
LED Rubber Stop Plug	F	1
Port Cap Orings	G	4

MOUNTING



1 | ATTACH WASHERS AND SCREWS THROUGH DESIRED LOCATION

2 | ATTACH THEM TO THE HARDMOUNT CTR AND TIGHTEN FIRMLY

! | HAND TIGHTEN SCREWS. OVER TIGHTENING IS NEVER RECOMMENDED.