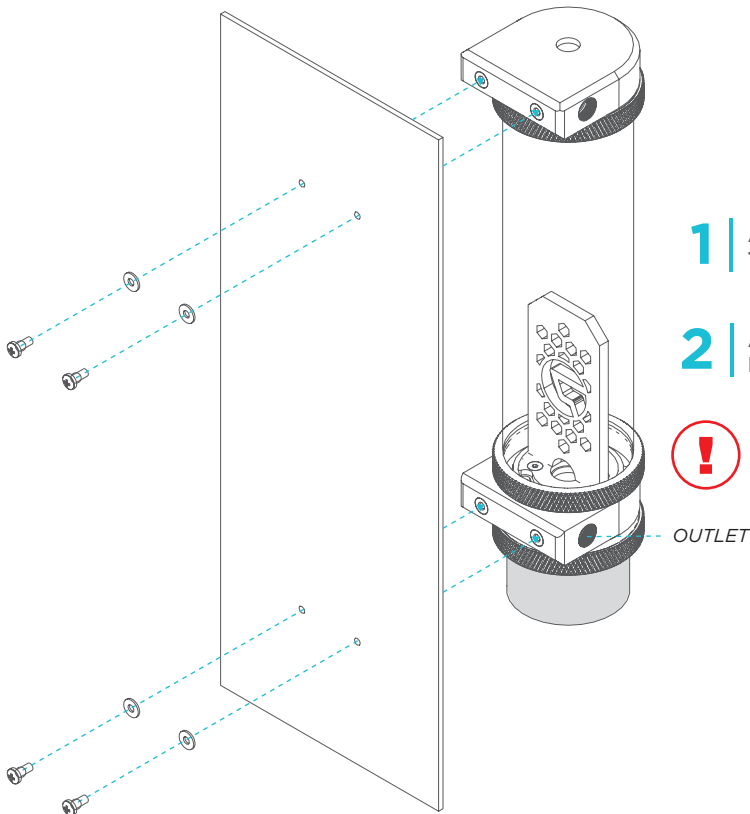
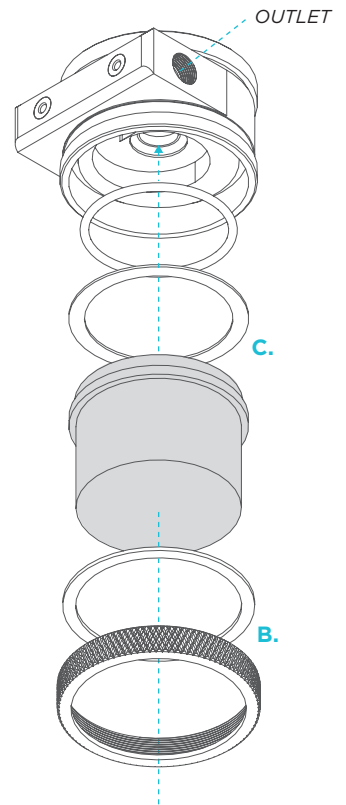


PART NAME	PART #	QTY
D5 Enabled CTR	A	1
Acrylic Shim	B	1
Rubber Shim	C	1
M4x10 Mounting Screws	D	4
Lock Washer - M4 Black	E	4
Low Profile Black Port Cap	F	2
LED Port Cap	G	1
LED Rubber Stop Plug	H	1
Port Cap Orings	I	3

MOUNTING



- 1 ATTACH WASHER AND SCREWS THROUGH DESIRED LOCATION
 - 2 ATTACH THEM TO THE D5 ENABLED PUMP HEAD AND TIGHTEN FIRMLY
- !** HAND TIGHTEN SCREWS. OVER TIGHTENING IS NEVER RECOMMENDED.



D5 PUMP MOUNTING
D5 NOT INCLUDED/SOLD SEPARATELY