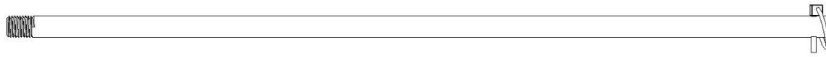


## WHEELS INSTALLING INSTRUCTION

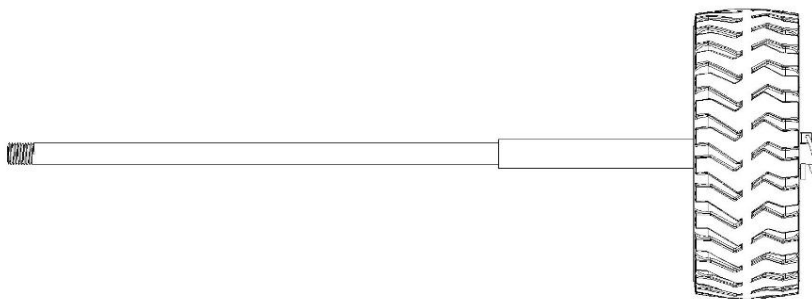
1. put the lock pin in end of the bar .



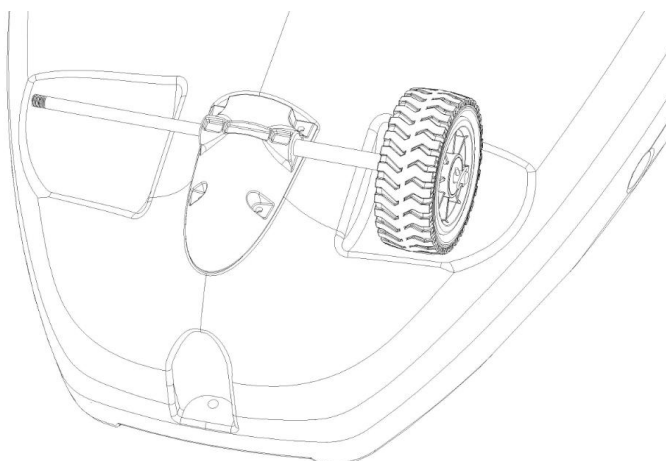
2. put one wheels into one end of bar



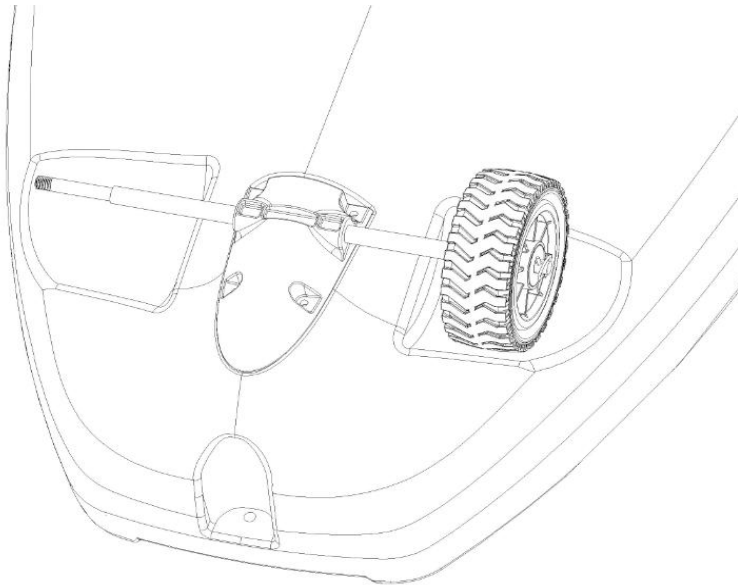
3. put into one of the plastic round tube, to ensure it touches the wheel



4. put the whole part through the bottom kit



5. put another plastic round tube into another side of the bar



6. install another wheel, and tighten the screw in that end

