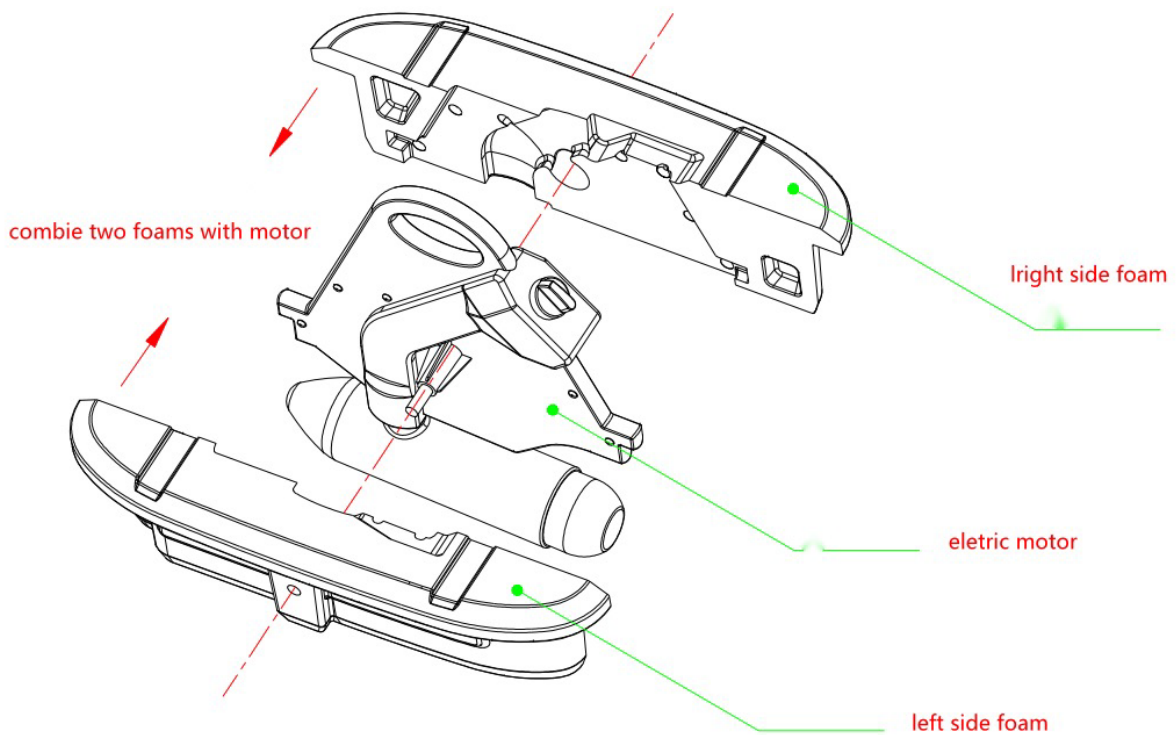
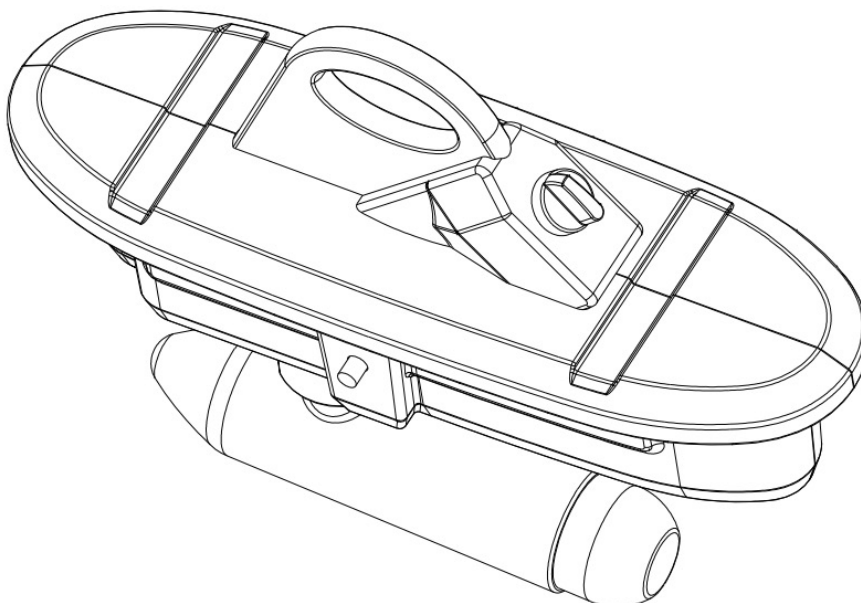


# ELECTRIC POD MOTOR FOR PEDAL PRO FISH 3.2M AND 4M XL INSTALLING INSTRUCTION

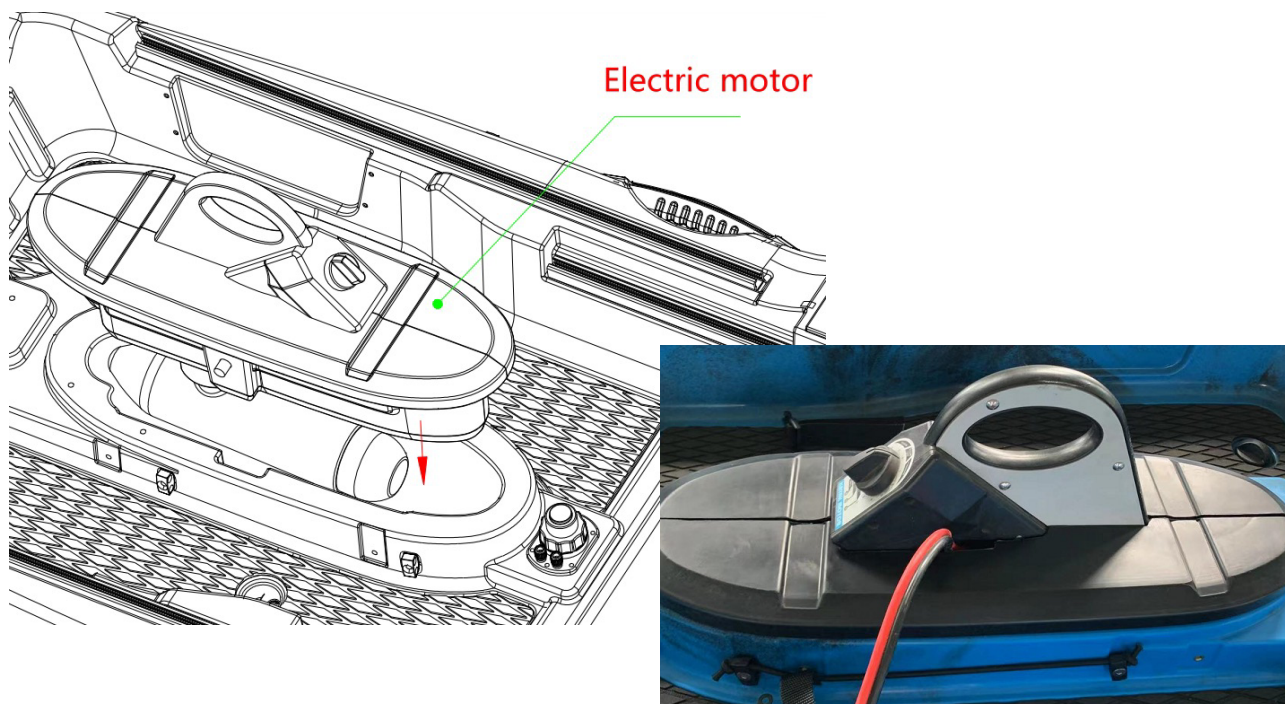
1. Combine two foams with electric motor body



It should then look like this:



2. Put the set into the middle hole of the kayak



3. Connect the two ribbon ties and connect the power interface.

