

# Quattro-II

# Table of Contents

<b>1. IMPORTANT SAFETY INSTRUCTIONS - Save these instructions!</b> .....	<b>1</b>
<b>2. Description</b> .....	<b>2</b>
2.1. Boats, vehicles and other stand-alone applications .....	2
2.2. On-grid and off-grid systems combined with PV .....	2
2.3. Battery charger .....	3
2.3.1. Lead-acid batteries .....	3
2.3.2. Victron Lithium Battery 12.8V & 25.6V Smart .....	3
2.3.3. Other Li-ion batteries .....	4
2.3.4. More on batteries and battery charging .....	4
2.4. ESS – Energy Storage Systems: feeding energy back into the grid (not applicable to the MultiPlus-II 12/3000/120-32) .....	4
<b>3. Operation</b> .....	<b>5</b>
3.1. On/Off/Charger Only Switch .....	5
3.2. Remote control .....	5
3.3. Equalisation and forced absorption .....	5
3.3.1. Equalisation .....	5
3.3.2. Forced absorption .....	5
3.3.3. Activating equalisation or forced absorption .....	5
3.4. LED Indications .....	6
<b>4. Installation</b> .....	<b>10</b>
4.1. Location .....	10
4.2. Connection of battery cables .....	11
4.3. Connection of the AC cabling .....	12
4.4. Optional Connections .....	13
4.4.1. Remote Control .....	13
4.4.2. Programmable relay .....	13
4.4.3. Programmable analog/digital input/output ports .....	14
4.4.4. Voltage sense (connection terminal J, see appendix A) .....	14
4.4.5. Temperature sensor (connection terminal J, see appendix A) .....	14
4.4.6. Parallel Connection .....	14
4.4.7. Three-phase operation .....	14
<b>5. Configuration</b> .....	<b>15</b>
5.1. Standard settings: ready for use .....	15
5.2. Explanation of settings .....	15
5.3. Configuring the Quattro-II .....	18
5.3.1. VE.Bus Quick Configure Setup .....	18
5.3.2. VE.Bus System Configurator .....	18
5.3.3. VEConfigure .....	18
5.3.4. VictronConnect .....	18
<b>6. Maintenance</b> .....	<b>19</b>
<b>7. Error Indications</b> .....	<b>20</b>
7.1. General error indications .....	20
7.2. Special LED indications .....	21
7.3. VE.Bus LED indications .....	22
7.3.1. VE.Bus OK codes .....	22
7.3.2. VE.Bus error codes .....	22
<b>8. Technical Specifications</b> .....	<b>25</b>
<b>A. APPENDIX A: Connection overview</b> .....	<b>27</b>
<b>B. APPENDIX B: Block diagram</b> .....	<b>29</b>

<b>C. APPENDIX C: Parallel connection</b> .....	<b>30</b>
<b>D. APPENDIX D: Three phase connection</b> .....	<b>31</b>
<b>E. APPENDIX E: Charge algorithm</b> .....	<b>32</b>
<b>F. APPENDIX F: Temperature compensation</b> .....	<b>33</b>
<b>G. APPENDIX G: Dimensions</b> .....	<b>34</b>

# 1. IMPORTANT SAFETY INSTRUCTIONS - Save these instructions!

## In general

Please read the documentation supplied with this product first, so that you are familiar with the safety signs and directions before using the product.

This product is designed and tested in accordance with international standards. The equipment should be used for the designated application only.



**Warning – These servicing instructions are for use by qualified personnel only. To reduce the risk of electric shock, do not perform any servicing other than that specified in the operating instructions unless you are qualified to do so**

The product is used in combination with a permanent energy source (battery). Even if the equipment is switched off, a dangerous electrical voltage can occur at the input and/or output terminals. Always switch the AC power off and disconnect the battery before performing maintenance.

The product contains no internal user-serviceable parts. Do not remove the front panel and do not put the product into operation unless all panels are fitted. All maintenance should be performed by qualified personnel.

Never use the product at sites where gas or dust explosions could occur. Refer to the specifications provided by the manufacturer of the battery to ensure that the battery is suitable for use with this product. The battery manufacturer's safety instructions should always be observed.

This appliance is not intended for use by persons (including children) with reduced physical, sensory or mental capabilities, or lack of experience and knowledge unless they have been given supervision or instruction concerning the use of the appliance by a person responsible for their safety. Children should be supervised to ensure that they do not play with the appliance.



do not lift heavy objects unassisted.

## Installation

Read the installation instructions before commencing installation activities. For electrical work, follow the local national wiring standard, regulation, and this installation instructions. The installation shall be in accordance with the Canadian Electrical Code, Part 1. The wiring methods shall be in accordance with the National Electrical Code, ANSI/NFPA 70.

This product is a safety class I device (supplied with a ground terminal for safety purposes). **Its AC input and/or output terminals must be provided with uninterruptible grounding for safety purposes. An additional grounding point is located on the outside of the product. The ground conductor should be at least 4mm<sup>2</sup>.** If it can be assumed that the grounding protection is damaged, the product should be taken out of operation and prevented from accidentally being put into operation again; contact qualified maintenance personnel.

Ensure that the connection cables are provided with fuses and circuit breakers. Never replace a protective device by a component of a different type. Refer to the manual for the correct part.

### Do not invert neutral and phase when connecting the AC.

Check before switching the device on whether the available voltage source conforms to the configuration settings of the product as described in the manual.

Ensure that the equipment is used under the correct operating conditions. Never operate it in a wet or dusty environment. Ensure that there is always sufficient free space around the product for ventilation, and those ventilation openings are not blocked. Install the product in a heatproof environment. Ensure therefore that there are no chemicals, plastic parts, curtains or other textiles, etc. in the immediate vicinity of the equipment.

This inverter is provided with an internal isolation transformer providing reinforced insulation

## Transport and storage

On storage or transport of the product, ensure that the mains supply and battery leads are disconnected.

No liability can be accepted for damage in transit if the equipment is not transported in its original packaging.

Store the product in a dry environment; the storage temperature should range from –20°C to 60°C.

Refer to the battery manufacturer's manual for information on transport, storage, charging, recharging, and disposal of the battery.

## 2. Description

### 2.1. Boats, vehicles and other stand-alone applications

The basis of the Quattro-II is an extremely powerful sine inverter, battery charger and transfer switch in a compact casing.

Important features:

#### Two AC inputs; integrated switch-over system between shore voltage and generating set

The Quattro-II features two AC inputs (AC-in-1 and AC-in-2) for connecting two independent voltage sources. For example, two generator sets, or a mains supply and a generator set. The Quattro automatically selects the input where voltage is present.

If voltage is present on both inputs, the Quattro selects the AC-in-1 input, to which normally the generating set is connected.

#### Automatic and uninterruptible switching

In the event of a supply failure or when the generating set is switched off, the Quattro-II will switch over to inverter operation and take over the supply of the connected devices. This is done so quickly that operation of computers and other electronic devices is not disturbed (Uninterruptible Power Supply or UPS functionality). This makes the Quattro-II highly suitable as an emergency power system in industrial and telecommunication applications.

#### Two AC outputs

Besides the usual uninterruptible output (AC-out-1), an auxiliary output (AC-out-2) is available that disconnects its load in the event of battery operation. Example: an electric boiler that is allowed to operate only if the genset is running or shore power is available. There are several applications for AC-out-2.

Please enter "AC-out-2" in the search box on our website and find the latest information about other applications.

#### Three phase capability

Up to 6 sets of three units can be parallel connected. Three units (or three sets of paralleled units) can be configured for three-phase output, to provide 72kW / 90kVA inverter power and more than 2100A (24V) or 1200A (48V) charging capacity.

#### PowerControl – maximum use of limited AC power

The Quattro-II can supply a huge charging current. This implies heavy loading of the AC mains or generator. Therefore a maximum current can be set. The Quattro-II then takes other power users into account, and only uses 'surplus' current for charging purposes.

- Input AC-in-1, to which usually a generating set is connected, can be set to a fixed maximum, so that the generating set is never overloaded.

- Input AC-in-2 can also be set to a fixed maximum. In mobile applications (ships, vehicles), however, a variable setting by means of a Multi Control Panel will usually be selected. In this way the maximum current can be adapted to the available shore current in an extremely simple manner.

#### PowerAssist – Extended use of generator or shore current: the Quattro-II “co-supply” feature

This feature takes the principle of PowerControl to a further dimension allowing the Quattro-II to supplement the capacity of the alternative source. Where peak power is often required only for a limited period, the Quattro-II will make sure that insufficient AC mains or generator power is immediately compensated for by power from the battery. When the load reduces, the spare power is used to recharge the battery.

#### Programmable relay

The Quattro-II is equipped with a programmable relay. The relay can be programmed for different applications, for example as a starter relay for a generator.

#### Programmable analog/digital input/output ports (Aux in 1 and Aux in 2, see appendix)

The Quattro-II is equipped with 2 analog/digital input/output ports.

These ports can be used for several purposes. One application is communication with the BMS of a lithium-ion battery.

### 2.2. On-grid and off-grid systems combined with PV

#### Frequency shift

When solar inverters are connected to the output of a Quattro-II, excess solar energy is used to recharge the batteries. Once the absorption voltage is reached, charge current will reduce and excess energy will be fed back into the mains. If the mains is not available, the Quattro-II will slightly increase the AC frequency to reduce the output of the solar inverter.

#### Built-in Battery Monitor

The ideal solution when the Quattro-II is part of a hybrid system (diesel generator, inverter/chargers, storage battery, and alternative energy). The built-in battery monitor can be set to start and stop the generator:

- Start at a preset % discharge level, and/or
- start (with a preset delay) at a preset battery voltage, and/or
- start (with a preset delay) at a preset load level.
- Stop at a preset battery voltage, or
- stop (with a preset delay) after the bulk charge phase has been completed, and/or
- stop (with a preset delay) at a preset load level.

#### Autonomous operation when the grid fails

Houses or buildings with solar panels or a combined micro-scale heating and power plant or other sustainable energy sources have a potential autonomous energy supply which can be used for powering essential equipment (central heating pumps, refrigerators, deep freeze units, Internet connections, etc.) during a power failure. A problem is however that grid connected sustainable energy sources drop out as soon as the grid fails. With a Quattro-II and batteries, this problem can be solved: **the Quattro-II can replace the grid during a power failure**. When the sustainable energy sources produce more power than needed, the Quattro-II will use the surplus to charge the batteries; in the event of a shortfall, the Quattro-II will supply additional power from the battery.

#### Programmable

All settings can be changed with a PC and free of charge software, downloadable from our website [www.victronenergy.com](http://www.victronenergy.com)

## 2.3. Battery charger

### 2.3.1. Lead-acid batteries

Adaptive 4-stage charge algorithm: bulk – absorption – float – storage

The microprocessor-driven adaptive battery management system can be adjusted for various types of batteries. The adaptive function automatically adapts the charging process to battery use.

The right amount of charge: variable absorption time

In the event of slight battery discharge, absorption is kept short to prevent overcharging and excessive gas formation. After deep discharging, the absorption time is automatically extended in order to fully charge the battery.

Preventing damage due to excessive gassing: the BatterySafe mode

If, in order to quickly charge a battery, a high charge current in combination with a high absorption voltage has been chosen, damage due to excessive gassing will be prevented by automatically limiting the rate of voltage increase once the gassing voltage has been reached.

Less maintenance and aging when the battery is not in use: the Storage mode

The Storage mode kicks in whenever the battery has not been subjected to discharge during 24 hours. In the Storage mode float voltage is reduced to 2,2V/cell (13,2V for 12V battery) to minimise gassing and corrosion of the positive plates. Once a week the voltage is raised back to the absorption level to 'equalize' the battery. This feature prevents stratification of the electrolyte and sulphation, a major cause of early battery failure.

Battery voltage sense: the correct charge voltage

Voltage loss due to cable resistance can be compensated by using the voltage sense facility to measure voltage directly on the DC bus or on the battery terminals.

Battery voltage and temperature compensation

The temperature sensor (supplied with the product) serves to reduce charging voltage when battery temperature rises. This is particularly important for maintenance-free batteries, which could otherwise dry out by overcharging.

Two DC outputs for charging two batteries

The main DC terminal can supply the full output current. The second output, intended for charging a starter battery, is limited to 4A and has a slightly lower output voltage (12V and 24V models only).

### 2.3.2. Victron Lithium Battery 12.8V & 25.6V Smart

[Victron LiFePO4 Smart batteries](#) Use the VE.Bus BMS

### 2.3.3. Other Li-ion batteries

Please see [https://www.victronenergy.com/live/battery\\_compatibility:start](https://www.victronenergy.com/live/battery_compatibility:start)

### 2.3.4. More on batteries and battery charging

Our book 'Energy Unlimited' offers further information on batteries and battery charging, and is available free of charge on our website (see [www.victronenergy.com](http://www.victronenergy.com) → Support & Downloads → Technical Information). For more information on adaptive charging, please also refer to the Technical Information on our website.

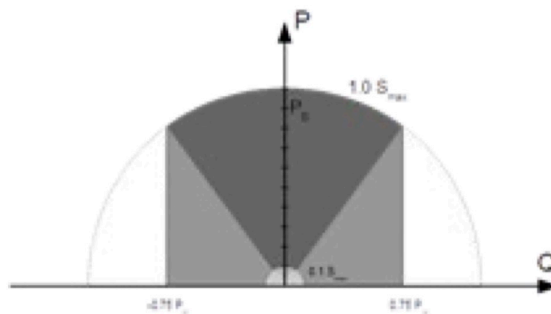
## 2.4. ESS – Energy Storage Systems: feeding energy back into the grid (not applicable to the MultiPlus-II 12/3000/120-32)

When the Quattro-II is used in a configuration in which it will feed back energy into the grid it is required to enable grid code compliance by selecting the appropriate grid code country setting with the VEConfigure tool.

Once set, a password will be required to disable grid code compliance or change grid code related parameters.

Depending on the grid code there are several reactive Power control modes:

- Fixed  $\cos \varphi$
- $\cos \varphi$  as function of P
- Fixed Q
- Q as function of input voltage



#### Reactive Power capability

If the local grid code is not supported by the Quattro-II an external certified interface device should be used to connect the Quattro-II to the grid.

The Quattro-II can also be used as a bidirectional inverter operating parallel to the grid, integrated into a customer designed system (PLC or other) that takes care of the control-loop and grid measurement.

Special note regarding NRS-097 (South Africa)

1. The maximum allowed impedance of the network is  $0.28 \Omega + j0.18 \Omega$
2. The inverter is fulfilling the unbalance requirement in case of multiple single phase units only when the Color Control GX is part of the installation.

Special notes regarding AS 4777.2 (Australia/New Zealand)

1. IEC62109.1 certification and CEC approval for off-grid use does NOT imply approval for grid-interactive installations. Additional certification to IEC 62109.2 and AS 4777.2.2015 are required before grid-interactive systems can be implemented. Please check the Clean Energy Council website for current approvals.
2. DRM – Demand Response Mode

When the AS4777.2 grid code has been selected in VEconfigure, DRM 0 functionality is available on port AUX1 (see appendix A)

To enable grid connection, a resistance of between 5kOhm and 16kOhm must be present between the terminals of port AUX1 (marked + and -). The MultiPlus-II will disconnect from the grid in case of an open circuit or a short circuit between the terminals of port AUX1. The maximum voltage that may be present between the terminals of port AUX1 is 5 V.

Alternatively, if DRM 0 is not required, this functionality can be disabled with VEConfigure.

## 3. Operation

### 3.1. On/Off/Charger Only Switch

When switched to 'on', the product is fully functional. The inverter will come into operation and the LED 'inverter on' will light up.

An AC voltage connected to the 'AC in' terminal will be switched through to the 'AC out' terminal, if within specifications. The inverter will switch off, the 'mains on' LED will light up and the charger commences charging. The 'bulk', 'absorption' or 'float' LEDs will light up, depending on the charger mode.

If the voltage at the 'AC-in' terminal is rejected, the inverter will switch on.

When the switch is switched to 'charger only', only the battery charger of the Multi will operate (if mains voltage is present). In this mode input voltage also is switched through to the 'AC out' terminal.

**NOTE:** When only the charger function is required, ensure that the switch is switched to 'charger only'. This prevents the inverter from being switched on if the mains voltage is lost, thus preventing your batteries from running flat.

### 3.2. Remote control

Remote control is possible with either a switch or with a Multi Control panel.

The Multi Control panel has a simple rotary knob with which the maximum current of the L1 AC input can be set. This does not affect L2 AC input: see [PowerControl](#) and [PowerAssist](#) in [Section 2](#).

### 3.3. Equalisation and forced absorption

#### 3.3.1. Equalisation

Traction batteries require regular additional charging. In the equalisation mode, the Quattro-II will charge with increased voltage for one hour (1V above the absorption voltage for a 12V battery, 2V for a 24V battery). The charging current is then limited to 1/4 of the set value. **The 'bulk' and 'absorption' LEDs flash intermittently.**



Equalisation mode supplies a higher charging voltage than most DC consuming devices can cope with. These devices must be disconnected before additional charging takes place.

#### 3.3.2. Forced absorption

Under certain circumstances, it can be desirable to charge the battery for a fixed time at the absorption voltage level. In Forced Absorption mode, the Quattro-II will charge at the normal absorption voltage level during the set maximum absorption time. **The 'absorption' LED lights.**

#### 3.3.3. Activating equalisation or forced absorption

The Quattro-II can be put into both these states from the remote panel as well as with the front panel switch, provided that all switches (front, remote, and panel) are set to 'on' and no switches are set to 'charger only'.

In order to put the Quattro-II in this state, the procedure below should be followed.

If the switch is not in the required position after following this procedure, it can be switched over quickly once. This will not change the charging state.



Switching from 'on' to 'charger only' and back, as described below, must be done quickly. The switch must be toggled such that the intermediate position is 'skipped', as it were. If the switch remains in the 'off' position even for a short time, the device may be turned off. In that case, the procedure must be restarted at step 1. A certain degree of familiarisation is required when using the front switch on the Compact in particular. When using the remote panel, this is less critical.

Procedure:

1. Check whether all switches (i.e. front switch, remote switch or remote panel switch if present) are in the 'on' position.
2. Activating equalisation or forced absorption is only meaningful if the normal charging cycle is completed (charger is in 'Float').
3. To activate:
  - a. Switch rapidly from 'on' to 'charger only' and leave the switch in this position for ½ to 2 seconds



- b. Switch rapidly back from 'charger only' to 'on' and leave the switch in this position for ½ to 2 seconds.
  - c. Switch once more rapidly from 'on' to 'charger only' and leave the switch in this position.
4. On the Quattro-II (and, if connected, on the MultiControl panel) the three LEDs 'Bulk', 'Absorption' and 'Float' will now flash 5 times.
5. Subsequently, the LEDs 'Bulk', 'Absorption' and 'Float' will each light during 2 seconds.
  - a. If the switch is set to 'on' while the 'Bulk' LED lights, the charger will switch to equalisation.
  - b. If the switch is set to 'on' while the 'Absorption' LED lights, the charger will switch to forced absorption.
  - c. If the switch is set to 'on' after the three LED sequence has finished, the charger will switch to 'Float'.
  - d. If the switch is has not been moved, the Quattro-II will remain in 'charger only' mode and switch to 'Float'.

### 3.4. LED Indications

- LEDs off
- LEDs blinking
- LEDs illuminated

<table border="0"> <tr> <td style="text-align: center;"><b>charger</b></td> <td style="text-align: center;"><b>inverter</b></td> </tr> <tr> <td>● mains on</td> <td>● inverter on</td> </tr> <tr> <td>● bulk</td> <td>● overload</td> </tr> <tr> <td>● absorption</td> <td>● low battery</td> </tr> <tr> <td>● float</td> <td>● temperature</td> </tr> </table>	<b>charger</b>	<b>inverter</b>	● mains on	● inverter on	● bulk	● overload	● absorption	● low battery	● float	● temperature	<p><b>Inverting</b></p> <p>The inverter is on. Inverter power is supplied to the load. The "inverter" LED is on.</p>
<b>charger</b>	<b>inverter</b>										
● mains on	● inverter on										
● bulk	● overload										
● absorption	● low battery										
● float	● temperature										

<table border="0"> <tr> <td style="text-align: center;"><b>charger</b></td> <td style="text-align: center;"><b>inverter</b></td> </tr> <tr> <td>● mains on</td> <td>● inverter on</td> </tr> <tr> <td>● bulk</td> <td>● overload</td> </tr> <tr> <td>● absorption</td> <td>● low battery</td> </tr> <tr> <td>● float</td> <td>● temperature</td> </tr> </table>	<b>charger</b>	<b>inverter</b>	● mains on	● inverter on	● bulk	● overload	● absorption	● low battery	● float	● temperature	<p><b>Overload pre-alarm</b></p> <p>The nominal output of the inverter is exceeded. The "overload" LED is blinking</p>
<b>charger</b>	<b>inverter</b>										
● mains on	● inverter on										
● bulk	● overload										
● absorption	● low battery										
● float	● temperature										

<table border="0"> <tr> <td style="text-align: center;"><b>charger</b></td> <td style="text-align: center;"><b>inverter</b></td> </tr> <tr> <td>● mains on</td> <td>● inverter on</td> </tr> <tr> <td>● bulk</td> <td>● overload</td> </tr> <tr> <td>● absorption</td> <td>● low battery</td> </tr> <tr> <td>● float</td> <td>● temperature</td> </tr> </table>	<b>charger</b>	<b>inverter</b>	● mains on	● inverter on	● bulk	● overload	● absorption	● low battery	● float	● temperature	<p><b>Overload alarm</b></p> <p>The inverter is switched off due to overload or short circuit. The "overload" LED is on.</p>
<b>charger</b>	<b>inverter</b>										
● mains on	● inverter on										
● bulk	● overload										
● absorption	● low battery										
● float	● temperature										

<table border="0"> <tr> <td style="text-align: center;"><b>charger</b></td> <td style="text-align: center;"><b>inverter</b></td> </tr> <tr> <td>● mains on</td> <td>● inverter on</td> </tr> <tr> <td>● bulk</td> <td>● overload</td> </tr> <tr> <td>● absorption</td> <td>● low battery</td> </tr> <tr> <td>● float</td> <td>● temperature</td> </tr> </table>	<b>charger</b>	<b>inverter</b>	● mains on	● inverter on	● bulk	● overload	● absorption	● low battery	● float	● temperature	<p><b>Low battery pre-alarm</b></p> <p>The battery voltage is getting low. The battery is almost fully exhausted. The "low battery"LED is blinking.</p>
<b>charger</b>	<b>inverter</b>										
● mains on	● inverter on										
● bulk	● overload										
● absorption	● low battery										
● float	● temperature										

<p><b>charger</b></p> <ul style="list-style-type: none"> <li><input type="radio"/> mains on</li> <li><input type="radio"/> bulk</li> <li><input type="radio"/> absorption</li> <li><input type="radio"/> float</li> </ul>	<p><b>inverter</b></p> <ul style="list-style-type: none"> <li><input checked="" type="radio"/> inverter on</li> <li><input type="radio"/> overload</li> <li><input checked="" type="radio"/> low battery</li> <li><input type="radio"/> temperature</li> </ul>	<p><b>Low battery alarm</b></p> <p>The inverter has switched off due to low battery voltage. The "low battery" LED is blinking.</p>
---	--	---

<p><b>charger</b></p> <ul style="list-style-type: none"> <li><input type="radio"/> mains on</li> <li><input type="radio"/> bulk</li> <li><input type="radio"/> absorption</li> <li><input type="radio"/> float</li> </ul>	<p><b>inverter</b></p> <ul style="list-style-type: none"> <li><input checked="" type="radio"/> inverter on</li> <li><input type="radio"/> overload</li> <li><input type="radio"/> low battery</li> <li><input checked="" type="radio"/> temperature</li> </ul>	<p><b>Temperature pre-alarm</b></p> <p>The internal temperature is reaching a critical level. The "temperature" LED is blinking.</p>
---	--	--

<p><b>charger</b></p> <ul style="list-style-type: none"> <li><input type="radio"/> mains on</li> <li><input type="radio"/> bulk</li> <li><input type="radio"/> absorption</li> <li><input type="radio"/> float</li> </ul>	<p><b>inverter</b></p> <ul style="list-style-type: none"> <li><input checked="" type="radio"/> inverter on</li> <li><input type="radio"/> overload</li> <li><input type="radio"/> low battery</li> <li><input checked="" type="radio"/> temperature</li> </ul>	<p><b>Temperature alarm</b></p> <p>The inverter has switched off due it's internal temperature being too high. The "temperature" LED is on.</p>
---	--	---

<p><b>charger</b></p> <ul style="list-style-type: none"> <li><input type="radio"/> mains on</li> <li><input type="radio"/> bulk</li> <li><input type="radio"/> absorption</li> <li><input type="radio"/> float</li> </ul>	<p><b>inverter</b></p> <ul style="list-style-type: none"> <li><input checked="" type="radio"/> inverter on</li> <li><input checked="" type="radio"/> overload</li> <li><input checked="" type="radio"/> low battery</li> <li><input type="radio"/> temperature</li> </ul>	<p><b>Overload pre-alarm and low battery pre-alarm</b></p> <p>The battery is nearly exhausted and the nominal output of the inverter is exceeded. The "overload" and "low battery" LEDs are both blinking alternately,</p>
---	---	--

<p><b>charger</b></p> <ul style="list-style-type: none"> <li><input type="radio"/> mains on</li> <li><input type="radio"/> bulk</li> <li><input type="radio"/> absorption</li> <li><input type="radio"/> float</li> </ul>	<p><b>inverter</b></p> <ul style="list-style-type: none"> <li><input checked="" type="radio"/> inverter on</li> <li><input checked="" type="radio"/> overload</li> <li><input checked="" type="radio"/> low battery</li> <li><input type="radio"/> temperature</li> </ul>	<p><b>Ripple pre-alarm</b></p> <p>The ripple voltage on the battery terminals is too high. The "overload" and "low battery" LEDs are both blinking simultaneously.</p>
---	---	--

<p><b>charger</b></p> <ul style="list-style-type: none"> <li><input type="radio"/> mains on</li> <li><input type="radio"/> bulk</li> <li><input type="radio"/> absorption</li> <li><input type="radio"/> float</li> </ul>	<p><b>inverter</b></p> <ul style="list-style-type: none"> <li><input checked="" type="radio"/> inverter on</li> <li><input checked="" type="radio"/> overload</li> <li><input checked="" type="radio"/> low battery</li> <li><input type="radio"/> temperature</li> </ul>	<p><b>Ripple alarm</b></p> <p>The inverter has switched off due to excess ripple voltage on the battery terminals. The "overload" and "low battery" LEDs are both on.</p>
---	---	---

<p><b>charger</b></p> <ul style="list-style-type: none"> <li><input checked="" type="checkbox"/> mains on</li> <li><input checked="" type="checkbox"/> bulk</li> <li><input type="checkbox"/> absorption</li> <li><input type="checkbox"/> float</li> </ul>	<p><b>inverter</b></p> <ul style="list-style-type: none"> <li><input type="checkbox"/> inverter on</li> <li><input type="checkbox"/> overload</li> <li><input type="checkbox"/> low battery</li> <li><input type="checkbox"/> temperature</li> </ul>	<p><b>Bulk charging</b></p> <p>The AC input voltage is switched through and the charger operates in bulk mode. The "bulk" LED is on.</p>
---	--	--

<p><b>charger</b></p> <ul style="list-style-type: none"> <li><input checked="" type="checkbox"/> mains on</li> <li><input checked="" type="checkbox"/> bulk</li> <li><input checked="" type="checkbox"/> absorption</li> <li><input type="checkbox"/> float</li> </ul>	<p><b>inverter</b></p> <ul style="list-style-type: none"> <li><input type="checkbox"/> inverter on</li> <li><input type="checkbox"/> overload</li> <li><input type="checkbox"/> low battery</li> <li><input type="checkbox"/> temperature</li> </ul>	<p><b>BatterySafe</b></p> <p>The mains voltage is switched through and the charger is on. However, the set absorption voltage has not yet been reached. The "bulk" and "absorption" LEDs are both on.</p>
--	--	---

<p><b>charger</b></p> <ul style="list-style-type: none"> <li><input checked="" type="checkbox"/> mains on</li> <li><input type="checkbox"/> bulk</li> <li><input checked="" type="checkbox"/> absorption</li> <li><input type="checkbox"/> float</li> </ul>	<p><b>inverter</b></p> <ul style="list-style-type: none"> <li><input type="checkbox"/> inverter on</li> <li><input type="checkbox"/> overload</li> <li><input type="checkbox"/> low battery</li> <li><input type="checkbox"/> temperature</li> </ul>	<p><b>Absorption charging</b></p> <p>The mains voltage is switched through and the charger operates in absorption mode. The "absorption" LED is on.</p>
---	--	---

<p><b>charger</b></p> <ul style="list-style-type: none"> <li><input checked="" type="checkbox"/> mains on</li> <li><input type="checkbox"/> bulk</li> <li><input type="checkbox"/> absorption</li> <li><input checked="" type="checkbox"/> float</li> </ul>	<p><b>inverter</b></p> <ul style="list-style-type: none"> <li><input type="checkbox"/> inverter on</li> <li><input type="checkbox"/> overload</li> <li><input type="checkbox"/> low battery</li> <li><input type="checkbox"/> temperature</li> </ul>	<p><b>Float charging</b></p> <p>The mains voltage is switched through and the charger operates in float mode. The "float" LED is on.</p>
---	--	--

<p><b>charger</b></p> <ul style="list-style-type: none"> <li><input checked="" type="checkbox"/> mains on</li> <li><input checked="" type="checkbox"/> bulk</li> <li><input checked="" type="checkbox"/> absorption</li> <li><input type="checkbox"/> float</li> </ul>	<p><b>inverter</b></p> <ul style="list-style-type: none"> <li><input type="checkbox"/> inverter on</li> <li><input type="checkbox"/> overload</li> <li><input type="checkbox"/> low battery</li> <li><input type="checkbox"/> temperature</li> </ul>	<p><b>Equalize charging</b></p> <p>The mains voltage is switched through and the charger operates in equalize mode. The "bulk" and "absorption" LED are both blinking.</p>
--	--	--

<p><b>charger</b></p> <ul style="list-style-type: none"> <li><input checked="" type="checkbox"/> mains on</li> <li><input type="checkbox"/> bulk</li> <li><input type="checkbox"/> absorption</li> <li><input type="checkbox"/> float</li> </ul>	<p><b>inverter</b></p> <ul style="list-style-type: none"> <li><input type="checkbox"/> inverter on</li> <li><input type="checkbox"/> overload</li> <li><input type="checkbox"/> low battery</li> <li><input type="checkbox"/> temperature</li> </ul>	<p><b>PowerControl</b></p> <p>The AC input is switched through. The AC output current is equal to the preset maximum input current. The charge current is reduced to 0A. The "mains on" LED is blinking.</p>
--	--	--

<p><b>charger</b></p> <ul style="list-style-type: none"> <li><input checked="" type="radio"/> mains on</li> <li><input type="radio"/> bulk</li> <li><input type="radio"/> absorption</li> <li><input type="radio"/> float</li> </ul>	<p><b>inverter</b></p> <ul style="list-style-type: none"> <li><input checked="" type="radio"/> inverter on</li> <li><input type="radio"/> overload</li> <li><input type="radio"/> low battery</li> <li><input type="radio"/> temperature</li> </ul>	<p><b>PowerAssist</b></p> <p>The AC input is switched through, but the load requires more current than the preset maximum input current. The inverter is switched on to supply the required additional current. The "mains on" LED is on and the "inverter" LED is blinking.</p>
--	---	--

For more error codes see section 7.3

For the latest and most up to date information about the blink codes, please refer to the Victron Toolkit app. Click on or scan the QR code to get to the Victron Support and Downloads/Software page.



## 4. Installation



This product may only be installed by a qualified electrical engineer.

### 4.1. Location

The product must be installed in a dry and well-ventilated area, as close as possible to the batteries. There should be a clear space of at least 10 cm around the appliance for cooling.



Excessively high ambient temperature will result in the following:

- Reduced service life.
- Reduced charging current.
- Reduced peak capacity, or shutdown of the inverter.

Never position the appliance directly above the batteries.

The Quattro-II is suitable for wall mounting. A solid surface, suitable for the weight and dimensions of the product must be available (e.g., concrete, or masonry). For mounting purposes, a hook and two holes are provided at the back of the casing (see appendix G).



The interior of the product must remain accessible after installation.

Try and keep the distance between the product and the battery to a minimum in order to minimize cable voltage losses.



For safety purposes, this product should be installed in a heat-resistant environment. You should prevent the presence of e.g. chemicals, synthetic components, curtains or other textiles, etc., in the immediate vicinity.



Each system requires a method of disconnecting the AC and DC circuits. If the overcurrent protection device is a circuit breaker, it will also serve as the disconnect. If fuses are used, separate disconnect switches will be needed between the source and the fuses.



To reduce the risk of fire, do not connect to an ac load center (circuit breaker panel) having multiwire branch circuits connected.



**CAUTION** – To reduce risk of injury, charge only Lead Acid or LIFEP04 type rechargeable batteries. Other types of batteries may burst causing personal injury and damage



Use of an attachment not recommended or sold by the marine unit manufacturer may result in a risk of fire, electric shock, or injury to persons



**WARNING – RISK OF EXPLOSIVE GASES) WORKING IN VICINITY OF A LEAD-ACID BATTERY IS DANGEROUS. BATTERIES GENERATE EXPLOSIVE GASES DURING NORMAL BATTERY OPERATION. FOR THIS REASON, IT IS OF UTMOST IMPORTANCE THAT EACH TIME BEFORE SERVICING THE UNIT IN THE VICINITY OF THE BATTERY, YOU READ THIS MANUAL AND FOLLOW THE INSTRUCTIONS EXACTLY.**

#### PERSONAL PRECAUTIONS

- Someone should be within range of your voice or close enough to come to your aid when you work near a lead-acid battery
- Have plenty of fresh water and soap nearby in case battery acid contacts skin, clothing, or eyes.
- Wear complete eye protection and clothing protection. Avoid touching eyes while working near battery.
- If battery acid contacts skin or clothing, wash immediately with soap and water. If acid enters eye, immediately flood eye with running cold water for at least 10 min and get medical attention immediately.
- NEVER smoke or allow a spark or flame in vicinity of battery or engine.
- Be extra cautious to reduce risk of dropping a metal tool onto battery. It might spark or short-circuit battery or other electrical part that may cause explosion.
- Remove personal metal items such as rings, bracelets, necklaces, and watches when working with a lead-acid battery. A lead-acid battery can produce a short-circuit current high enough to weld a ring or the like to metal, causing a severe burn.
- NEVER charge a frozen battery.
- If necessary to remove battery from vessel, always remove grounded terminal from battery first. Make sure all accessories in the vessels are off, so as not to cause an arc.
- Be sure area around battery is well ventilated. Clean battery terminals. Be careful to keep corrosion from coming in contact with eyes. Study all battery manufacturer's specific precautions such as removing or not removing cell caps while charging and recommended rates of charge.
- Clean battery terminals. Be careful to keep corrosion from coming in contact with eyes.
- Study all battery manufacturer's specific precautions such as removing or not removing cell caps while charging and recommended rates of charge.



#### MARINE UNIT LOCATION

- Locate marine unit away from battery in a separate, well ventilated compartment
- Never place marine unit directly above battery; gases from battery will corrode and damage marine unit.
- Never allow battery acid to drip on marine unit when reading gravity or filling battery.
- Do not operate marine unit in a closed-in area or restrict ventilation in any way.



#### DC CONNECTION PRECAUTIONS

Connect and disconnect DC output connections only after setting any marine unit switches to off position and removing AC cord from electric outlet or opening AC disconnect.



EXTERNAL CONNECTIONS TO CHARGER SHALL COMPLY WITH THE UNITED STATES COAST GUARD ELECTRICAL REGULATIONS (33CFR183, SUB PART I).



**GROUNDING INSTRUCTIONS** – This marine unit should be connected to a grounded, metal, permanent wiring system; or an equipment-grounding conductor should be run with circuit conductors and connected to equipment-grounding terminal or lead on unit. Connections to unit should comply with all local codes and ordinances

## 4.2. Connection of battery cables

In order to utilize the full capacity of the product, batteries with sufficient capacity and battery cables with sufficient cross-section should be used. The DC cables must be copper and rated 90°C (194°F). See table.

	24/5000/120	48/5000/70
Recommended battery capacity (Ah)	400-1400	200-800
Recommended DC fuse	400 A	200 A
Recommended cross section (mm <sup>2</sup> ) per + and - connection terminal *, **		
0 – 5 m <sup>***</sup>	2x 50 mm <sup>2</sup>	70 mm <sup>2</sup>
5 – 10 m <sup>***</sup>	2x 95 mm <sup>2</sup>	2x 70 mm <sup>2</sup>

\* Follow local installation rules.

\*\* Do not locate battery cables in a closed conduit

\*\*\* “2x” means two positive and two negative cables.

Remark: Internal resistance is the important factor when working with low capacity batteries. Please consult your supplier or the relevant sections of our book ‘Energy Unlimited’, downloadable from our website.

#### Procedure

Proceed as follows to connect the battery cables:

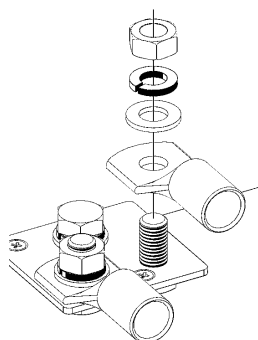


Use a torque wrench with an insulated box spanner in order to avoid shorting the battery.

**Recommended torque: 12 Nm (M8 nut)**

Avoid shorting the battery cables.

- Undo the two screws at the bottom of the enclosure and remove the service panel
- Connect the battery cables: see Appendix A
- Tighten the nuts well for minimal contact resistance.
- The connector goes on first, then the flat washer, lock washer and nut. Tighten the nuts well for minimal contact resistance.



### 4.3. Connection of the AC cabling



The Quattro-II is a safety class I product (supplied with a ground terminal for safety purposes). **Its AC input and/or output terminals and/or grounding point on the outside of the product must be provided with an uninterruptible grounding point for safety purposes.**

The Quattro-II is provided with a ground relay (relay H, see appendix B) **that automatically connects the Neutral output to the chassis if no external AC supply is available.** If an external AC supply is provided, the ground relay H will open before the input safety relay closes. This ensures the correct operation of an earth leakage circuit breaker that is connected to the output.

- In a fixed installation, an uninterruptible grounding can be secured by means of the grounding wire of the AC input. Otherwise the casing must be grounded.
- In a mobile installation (for example, with a shore current plug), interrupting the shore connection will simultaneously disconnect the grounding connection. In that case, the casing must be connected to the chassis (of the vehicle) or to the hull or grounding plate (of the boat).

In case of a boat, direct connection to the shore ground is not recommended because of potential galvanic corrosion. The solution to this is using an isolation transformer.

**Recommended torque: 1.6 Nm**



This unit or system is provided with fixed trip limits and shall not be aggregated above 30 kw on a single point of common connection.

A blade tool of 2.5mm (e.g. a screwdriver) is required to operate the spring loaded AC terminal blocks.

The terminal blocks can be found on the printed circuit board, see Appendix A.

**Do not invert neutral and phase when connecting the AC.**

The inverter does incorporate a mains frequency isolating transformer. This precludes the possibility of DC current at any AC port.

Therefore type A RCD's can be used.

• **AC-in-1**

One AC input cable can be connected to the terminal block 'AC-in-1'. If AC voltage is present on these terminals, the Quattro will use this connection. Generally a generator will be connected to AC-in-1.

From left to right: "N" (neutral), "PE" (earth) and "L" (phase).

**The AC-in-1 input must be protected by a fuse or magnetic circuit breaker rated at 50A or less, and cable cross-section must be sized accordingly.** If the input AC supply is rated at a lower value, the fuse or magnetic circuit breaker should be down sized accordingly.

• **AC-in-2**

A second AC input cable can be connected to the terminal block 'AC-in-2'. If AC voltage is present on these terminals, the Quattro will use this connection, unless voltage is also present on AC-in-1. The Quattro will then automatically select AC-in-1. Generally the mains supply or shore voltage will be connected to AC-in-2.

From left to right: "N" (neutral), "PE" (earth) and "L" (phase).

**The AC-in-2 input must be protected by a fuse or magnetic circuit breaker rated at 50A or less, and cable cross-section must be sized accordingly.** If the input AC supply is rated at a lower value, the fuse or magnetic circuit breaker should be down sized accordingly.

**Note: The Quattro may not start when AC is present only on AC-in-2, and DC battery voltage is 10% or more below nominal (less than 22 Volt in case of a 24 Volt battery).**

**Solution: connect AC power to AC-in-1, or recharge the battery.**

• **AC-out-1**

The AC output cable can be connected directly to the terminal block 'AC-out'.

From left to right: "N" (neutral), "PE" (earth) and "L" (phase)

With its PowerAssist feature the Multi can add up to 5 kVA (that is  $5000 / 230 = 21$  A) to the output during periods of peak power requirement. Together with a maximum input current of 50 A this means that the output can supply up to  $50 + 21 = 71$  A.

An earth leakage circuit breaker and a fuse or circuit breaker rated to support the expected load must be included in series with the output, and cable cross-section must be sized accordingly.

• **AC-out-2**

A second output is available that disconnects its load in the event of battery operation. On these terminals, equipment is connected that may only operate if AC voltage is available on AC-in-1, e.g. an electric boiler or an air conditioner. The load on AC-out-2 is disconnected immediately when the Quattro-II switches to battery operation. After AC power becomes available on AC-in-1, the load on AC-out-2 will be reconnected with a delay of approximately 2 minutes. This to allow a genset to stabilise.

## 4.4. Optional Connections

A number of optional connections are possible:

### 4.4.1. Remote Control

The product can be remotely controlled in two ways.

- With an external switch (connection terminal M, see appendix A). Operates only if the switch on the Quattro-II is set to "on".
- With a Multi Control panel (connected to one of the two RJ45 sockets L, see appendix A). Operates only if the switch on the Quattro-II is set to "on".

### 4.4.2. Programmable relay

The product is equipped with a programmable relay.

The relay can be programmed for all kinds of other applications however, for example as a starter relay for a generator.



#### 4.4.3. Programmable analog/digital input/output ports

The product is equipped with 2 analog/digital input/output ports.

These ports can be used for several purposes. One application is communication with the BMS of a lithium-ion battery.

#### 4.4.4. Voltage sense (connection terminal J, see appendix A)

For compensating possible cable losses during charging, two sense wires can be connected with which the voltage directly on the battery or on the positive and negative distribution points can be measured. Use wire with a cross-section of 0,75mm<sup>2</sup>.

During battery charging, the Quattro-II will compensate the voltage drop over the DC cables up to a maximum of 1 Volt (i.e. 1V over the positive connection and 1V over the negative connection). If the voltage drop threatens to become larger than 1V, the charging current is limited in such a way that the voltage drop remains limited to 1V.

#### 4.4.5. Temperature sensor (connection terminal J, see appendix A)

For temperature-compensated charging, the temperature sensor (supplied with the Quattro-II) can be connected. The sensor is isolated and must be fitted to the negative terminal of the battery.

#### 4.4.6. Parallel Connection

Up to six identical units can be connected in parallel. When connecting Quattro-II units in parallel, the following requirements must be met:

- All units must be connected to the same battery.
- A maximum of six units can be connected in parallel.
- Only identical devices may be connected in parallel.
- The DC connection cables to the devices must be of equal length and cross-section.
- If a positive and a negative DC distribution point is used, the cross-section of the connection between the batteries and the DC distribution point must at least equal the sum of the required cross-sections of the connections between the distribution point and the Quattro-II units.
- Place the Quattro-II units close to each other, but allow at least 10cm for ventilation purposes under, above and beside the units.
- It is essential the negative battery terminal between the units is always connected. A fuse or circuit breaker is not allowed.
- UTP cables must be connected directly from one unit to the other (and to the remote panel). Connection or splitter boxes are not permitted.
- Always interconnect the negative battery cables before placing the UTP cables.
- Only one remote control means (panel or switch) can be connected to the system.

#### 4.4.7. Three-phase operation

The Quattro-II can also be used in 3-phase wye (Y) configuration. To this end, a connection between the devices is made by means of standard RJ45 UTP cables (the same as for parallel operation). The system (Quattro-II plus an optional control panel) will require subsequent configuration (see [Section 5 \[15\]](#)).

Pre-requisites: see [Section 4.4.5 \[14\]](#).

1. Note: the Quattro-II is not suitable for the 3-phase delta ( $\Delta$ ) configuration.
2. L2 outputs are disabled in a multi-phase setup.

## 5. Configuration

This section is intended mainly for stand-alone applications.



Settings may only be changed by a qualified electrical engineer.  
Read the instructions thoroughly before implementing changes.  
During setting of the charger, the AC input must be removed.

### 5.1. Standard settings: ready for use

On delivery, the Quattro-II is set to standard factory values. In general, these settings are suitable for single-unit operation.



Possibly, the standard battery charging voltage is not suitable for your batteries! Refer to the manufacturer's documentation, or to your battery supplier!

Standard Quattro-II factory settings

Inverter frequency	50 Hz
Input frequency range	45 – 65 Hz
Input voltage range	180 - 365 VAC
Inverter voltage	230 VAC
Stand-alone / parallel / 3-phase	stand-alone
AES (Automatic Economy Switch)	off
Ground relay	on
Charger on/ off	on
Battery charge curve	four-stage adaptive with BatterySafe mode
Charging current	100% of the maximum charging current
Battery type	Victron Gel Deep Discharge (also suitable for Victron AGM Deep Discharge)
Automatic equalisation charging	off
Absorption voltage	28.8 V / 57.6 V
Absorption time	up to 8 hours (depending on bulk time)
Float voltage	27.6 V / 55.2 V
Storage voltage	26.4 V / 52.8 V (not adjustable)
Repeated absorption time	1 hour
Absorption repeat interval	7 days
Bulk protection	on
AC input current limit	50/16 A (= adjustable current limit for PowerControl and PowerAssist functions)
UPS feature	on
Dynamic current limiter	off
WeakAC	off
BoostFactor	2
Programmable relay	alarm function
PowerAssist	on

### 5.2. Explanation of settings

Settings that are not self-explanatory are described briefly below. For further information, please refer to the help files in the software configuration programs (see Section 5.3).

#### Inverter frequency

Output frequency if no AC is present at the input.

Adjustability: 50 Hz; 60 Hz

### Input frequency range

Input frequency range accepted by the Quattro-II. The Quattro-II synchronises within this range with the AC input frequency. The output frequency is then equal to the input frequency.

Adjustability: 45 – 65 Hz; 45 – 55 Hz; 55 – 65 Hz

### Input voltage range

Voltage range accepted by the Quattro-II. The Quattro-II synchronises within this range with the AC input. The output voltage is then equal to the input voltage.

Adjustability: Lower limit: 180 – 230 V  
Upper limit: 230 – 270 V



The standard lower limit setting of 90V/180V is intended for connection to a weak mains supply, or to a generator with unstable AC output. This setting may result in a system shut down when connected to a 'brushless, self excited, externally voltage regulated, synchronous AC generator' (synchronous AVR generator). Most generators rated at 10kVA or more are synchronous AVR generators. The shut down is initiated when the generator is stopped and revs down while the AVR simultaneously 'tries' to keep the output voltage of the generator at 120V/230V.

The solution is to increase the lower limit setting to 110/220VAC (the output of AVR generators is generally very stable), or to disconnect the Quattro-II from the generator when a generator stop signal is given (with help of an AC contactor installed in series with the generator).

### Inverter voltage

Output voltage of the Quattro-II in battery operation.

Adjustability: 210 – 245 V

### Stand-alone / parallel operation / 2-3 phase setting

Using several devices, it is possible to:

- increase total inverter power (several devices in parallel)
- create a split-phase system with a separate autotransformer: see VE autotransformer datasheet and manual.
- create a 3-phase system.

The standard product settings are for standalone operation. For parallel, three-phase or split phase operation see section 5.3.

### AES (Automatic Economy Switch)

If this setting is turned 'on', the power consumption in no-load operation and with low loads is decreased by approx. 20%, by slightly 'narrowing' the sinusoidal voltage. Applicable in stand-alone configuration only.

### Search Mode

Instead of the AES mode, the **search mode** can also be chosen. If search mode is 'on', the power consumption in no-load operation is decreased by approx. 70%. In this mode the Quattro-II, when operating in inverter mode, is switched off in case of no load or very low load, and switches on every two seconds for a short period. If the output current exceeds a set level, the inverter will continue to operate. If not, the inverter will shut down again.

The Search Mode 'shut down' and 'remain on' load levels can be set with VEConfigure.

The standard settings are:

Shut down: 40 Watt (linear load)

Turn on: 100 Watt (linear load)

### Ground relay (see appendix B)

With this relay, the neutral conductor of the AC output is grounded to the chassis when the back feed safety relays are open.

This ensures the correct operation of earth leakage circuit breakers in the output. If required an external ground relay can be connected (for a split-phase system with a separate autotransformer). See appendix A.

### Battery charge algorithm

The standard setting is 'Four-stage adaptive with BatterySafe mode'. See Section 2 for a description.

This is the recommended charge algorithm for lead acid batteries. See the help files in the software configuration programs for other features.

### Battery type

The standard setting is the most suitable for Victron Gel Deep Discharge, Gel Exide A200, and tubular plate stationary batteries (OPzS).

This setting can also be used for many other batteries: e.g. Victron AGM Deep Discharge and other AGM batteries, and many types of flat-plate flooded batteries.

With VEConfigure the charge algorithm can be adjusted to charge any battery type (Nickel Cadmium batteries, Lithium-ion batteries)

**Absorption time**

In case of the standard-setting 'Four-stage adaptive with BatterySafe mode' the absorption time depends on the bulk time (adaptive charge curve), so that the battery is optimally charged.

**Automatic equalisation charging**

This setting is intended for flooded tubular plate traction or OPzS batteries. During absorption the voltage limit increases to 2,83V/ cell (34V for a 24V battery) once the charge current has tapered down to less than 10% of the set maximum current.

Not adjustable with DIP switches.

See 'tubular plate traction battery charge curve' in VEConfigure.

**Storage voltage, Repeated Absorption Time, Absorption Repeat Interval**

See [Section 2 \[2\]](#).

**Bulk Protection**

When this setting is 'on', the bulk charging time is limited to 10 hours. A longer charging time could indicate a system error (e.g. a battery cell short-circuit).

**AC input current limit**

These are the current limit settings for which PowerControl and PowerAssist come into operation:

	24/5000/120-50
	48/5000/70-50
PowerAssist setting range, grid in-line topology	6 A - 50 A

Factory setting: maximum grid in-line topology value.

**UPS feature**

If this setting is 'on' and AC on the input fails, the Quattro-II switches to inverter operation practically without interruption.

The output voltage of some small generator sets is too unstable and distorted for using this setting – the Quattro-II would continually switch to inverter operation. For this reason, the setting can be turned off. The Quattro-II will then respond less quickly to AC input voltage deviations. The switchover time to inverter operation is consequently slightly longer, but most equipment (most computers, clocks or household equipment) is not adversely impacted.

**Recommendation:** Turn the UPS feature off if the Quattro-II fails to synchronise, or continually switches back to inverter operation.

**Dynamic current limiter**

Intended for generators, the AC voltage being generated by means of a static inverter (so-called 'inverter' generators). In these generators, engine rpm is reduced in case of low load: this reduces noise, fuel consumption and pollution. A disadvantage is that the output voltage will drop severely or even completely fail in the event of a sudden load increase. More load can only be supplied after the engine is up to speed.

If this setting is 'on', the Quattro-II will start supplying extra power at a low generator output level and gradually allow the generator to supply more, until the set current limit is reached. This allows the generator engine to get up to speed.

This setting is also often used for 'classical' generators that respond slowly to sudden load variation.

**Weak AC**

Strong distortion of the input voltage can result in the charger hardly operating or not operating at all. If WeakAC is set, the charger will also accept a strongly distorted voltage, at the cost of greater distortion of the input current.

**Recommendation:** Turn WeakAC on if the charger is hardly charging or not charging at all (which is quite rare!). Also turn on the dynamic current limiter simultaneously, and reduce the maximum charging current to prevent overloading the generator if necessary.



When WeakAC is on, the maximum charge current is reduced by approximately 20%.

#### **BoostFactor**

Change this setting only after consulting with Victron Energy or with an engineer trained by Victron Energy!

#### **Programmable relay**

The relay can be programmed for all kinds of other applications, for example as a starter relay for a generator.

#### **Auxiliary AC output (AC-out-2)**

Intended for non-critical loads and directly connected to the AC input. With current measurement circuit to enable PowerAssist.

### **5.3. Configuring the Quattro-II**

The following hardware is required:

- A [MK3-USB](#) (VE.Bus to USB) interface.
- [VE.Bus Smart dongle](#)
- [RJ45 UTP cable](#)

#### **5.3.1. VE.Bus Quick Configure Setup**

**VE.Bus Quick Configure Setup** is a software program with which systems with a maximum of three Multis (parallel or three phase operation) can be configured in a simple manner.

The software can be downloaded free of charge at [www.victronenergy.com](http://www.victronenergy.com).

#### **5.3.2. VE.Bus System Configurator**

For configuring advanced applications and/or systems with four or more Multis, **VE.Bus System Configurator** software must be used.

The software can be downloaded free of charge at [www.victronenergy.com](http://www.victronenergy.com).

#### **5.3.3. VEConfigure**

All settings can be changed with a PC and free of charge software VEConfigure, downloadable from our website [www.victronenergy.com](http://www.victronenergy.com). See this manual for more information - <https://docs.victronenergy.com/veconfigure.html>

#### **5.3.4. VictronConnect**

The MultiPlus is configured using VictronConnect. More general information about the VictronConnect App - how to install it; how to pair it with your device; and how to update firmware, for example - can be found by referring to the overall [VictronConnect manual](#).

## 6. Maintenance

The Quattro-II does not require specific maintenance. It will suffice to check all connections once a year. Avoid moisture and oil/soot/vapours, and keep the device clean.


## 7. Error Indications

With the procedures below, most errors can be quickly identified. If an error cannot be resolved, please refer to your Victron Energy supplier.

We recommend to use the toolkit app to link LED alarm codes to a description of the problem/alarm, see <https://www.victronenergy.com/support-and-downloads/software#victron-toolkit-app>


### 7.1. General error indications

Problem	Cause	Solution
No output voltage on AC-out-2.	Quattro-II in inverter mode	
Multi will not switch over to generator or mains operation.	Circuit breaker or fuse in the AC-in input is open as a result of overload.	Remove overload or short circuit on AC-out-1 or AC-out2, and reset fuse/breaker.
Inverter operation not initiated when switched on	The battery voltage is excessively high or too low. No voltage on DC connection.	Ensure that the battery voltage is within the correct range.
'Low battery' LED flashes	The battery voltage is low.	Charge the battery or check the battery connections.
Low battery' LED lights.	The converter switches off because the battery voltage is too low.	Charge the battery or check the battery connections.
'Overload' LED flashes.	The converter load is higher than the nominal load.	Reduce the load.
'Overload' LED lights	The converter is switched off due to excessively high load.	Reduce the load.
'Temperature' LED flashes or lights.	The environmental temperature is high, or the load is too high.	Install the converter in cool and well-ventilated environment, or reduce the load.
'Low battery' and 'overload' LEDs flash intermittently.	Low battery voltage and excessively high load.	Charge the batteries, disconnect or reduce the load, or install higher capacity batteries. Fit shorter and/or thicker battery cables.
'Low battery' and 'overload' LEDs flash simultaneously.	Ripple voltage on the DC connection exceeds 1,5 Vrms.	Check the battery cables and battery connections. Check whether battery capacity is sufficiently high, and increase this if necessary.
'Low battery' and 'overload' LEDs light.	The inverter is switched off due to an excessively high ripple voltage on the input.	Install batteries with a larger capacity. Fit shorter and/or thicker battery cables, and reset the inverter (switch off, and then on again).
One alarm LED lights and the second flashes.	The inverter is switched off due to alarm activation by the lighted LED. The flashing LED indicates that the inverter was about to switch off due to the related alarm.	Check this table for appropriate measures in regard to this alarm state.
The charger does not operate.	The AC input voltage or frequency is not within the range set.	Ensure that the AC input is between 185 VAC and 265 VAC, and that the frequency is within the range set (default setting 45-65 Hz).
	Circuit breaker or fuse in the AC-in input is open as a result of overload.	Remove overload or short circuit on AC-out-1 or AC-out-2, and reset fuse/breaker.
	The battery fuse has blown.	Replace the battery fuse.
	The distortion or the AC input voltage is too large (generally generator supply).	Turn the settings WeakAC and dynamic current limiter on.

Problem	Cause	Solution
The charger does not operate. 'Bulk' LED flashes and 'Mains on' LED illuminates	Quattro-II is in 'Bulk protection' mode thus, the maximum bulk charging time of 10 hours is exceeded.  Such a long charging time could indicate a system error (e.g. a battery cell short-circuit).	Check your batteries.   You can reset the error mode by switching off and back on the Quattro-II.  The standard Quattro-II factory setting of the 'Bulk protection' mode is switched on. The 'Bulk protection' mode can be switched off with help of VEConfigure only.
The battery is not completely charged.	Charging current excessively high, causing premature absorption phase.	Set the charging current to a level between 0.1 and 0.2 times the battery capacity.
	Poor battery connection.	Check the battery connections.
	The absorption voltage has been set to an incorrect level (too low).	Set the absorption voltage to the correct level.
	The float voltage has been set to an incorrect level (too low).	Set the float voltage to the correct level.
	The available charging time is too short to fully charge the battery.	Select a longer charging time or higher charging current.
	The absorption time is too short. For adaptive charging this can be caused by an extremely high charging current with respect to battery capacity, so that bulk time is insufficient.	Reduce the charging current or select the 'fixed' charging characteristics.
The battery is overcharged.	The absorption voltage is set to an incorrect level (too high).	Set the absorption voltage to the correct level.
	The float voltage is set to an incorrect level (too high).	Set the float voltage to the correct level.
	Poor battery condition.	Replace the battery.
	The battery temperature is too high (due to poor ventilation, excessively high environmental temperature, or excessively high charging current).	Improve ventilation, install batteries in a cooler environment, reduce the charging current, <b>and connect the temperature sensor.</b>
The charging current drops to 0 as soon as the absorption phase initiates.	The battery is over-heated (>50°C)	<ul style="list-style-type: none"> <li>• Install the battery in a cooler environment</li> <li>• Reduce the charging current</li> <li>• Check whether one of the battery cells has an internal short circuit</li> </ul>
	Defective battery temperature sensor	Disconnect the temperature sensor plug in the Quattro-II. If charging functions correctly after approximately 1 minute, the temperature sensor should be replaced.

## 7.2. Special LED indications

(for the normal LED indications, see [section 3.4 \[6\]](#))

'Mains on' flashes and there is no output voltage	The device is in 'charger only' operation and mains supply is present. The device rejects the mains supply or is still synchronising.
Bulk and absorption LEDs flash synchronously (simultaneously).	<p>Voltage sense error. The voltage measured at the voltage sense connection deviates too much (more than 7V) from the voltage on the positive and negative connection of the device. There is probably a connection error.</p> <p>The device will remain in normal operation.</p> <div style="border: 1px solid #0070C0; padding: 5px; margin-top: 10px;">  If the "inverter on" LED flashes in phase opposition, this is a VE.Bus error code (see further on).                 </div>



Absorption and float LEDs flash synchronously (simultaneously).

The battery temperature as measured has an extremely unlikely value. The sensor is probably defective or has been incorrectly connected. The device will remain in normal operation.



If the "inverter on" LED flashes in phase opposition, this a VE.Bus error code (see further on).

### 7.3. VE.Bus LED indications

Equipment included in a VE.Bus system (a parallel or 3-phase arrangement) can provide so-called VE.Bus LED indications. These LED indications can be subdivided into two groups: OK codes and error codes.

#### 7.3.1. VE.Bus OK codes

If the internal status of a device is in order but the device cannot yet be started because one or more other devices in the system indicate an error status, the devices that are in order will indicate an OK code. This facilitates error tracing in a VE.Bus system, since devices not requiring attention are easily identified as such.



OK codes will only be displayed if a device is not in inverter or charging operation!

- A flashing 'bulk' LED indicates that the device can perform inverter operation.
- A flashing 'float' LED indicates that the device can perform charging operation.



In principle, all other LEDs must be off. If this is not the case, the code is not an OK code. However, the following exceptions apply:

- The special LED indications above can occur together with the OK codes.
- The 'low battery' LED can function together with the OK code that indicates that the device can charge.

#### 7.3.2. VE.Bus error codes

A VE.Bus system can display various error codes. These codes are displayed with the "inverter on", "bulk", "absorption" and "float" LEDs.

To interpret a VE.Bus error code correctly, the following procedure should be followed:

1. The device should be in error (no AC output).
2. Is the 'inverter on' LED flashing? If not, then there is no VE.Bus error code.
3. If one or more of the LEDs 'bulk', 'absorption' or 'float' flashes, then this flash must be in phase opposition to the 'inverter on' LED, i.e. the flashing LEDs are off if the 'inverter on' LED is on, and vice versa. If this is not the case, then there is no VE.Bus error code.
4. Check the 'bulk' LED, and determine which of the three tables below should be used.
5. Select the correct column and row (depending on the 'absorption' and 'float' LEDs), and determine the error code. 6. Determine the meaning of the code in the tables below.
6. Determine the meaning of the code in the tables below.

**All of the conditions below must be met!:**









1. The device is in error! (No AC output)
2. Inverter LED flashes (in opposition to any flashing of the Bulk, Absorption or Float LED)
3. At least one of the LEDs Bulk, Absorption and Float is on or flashing

Bulk LED off		Absorption LED		
		off	flashing	on
Float LED	off	0	3	6
	flashing	1	4	7
	on	2	5	8

Bulk LED flashes		Absorption LED		
		off	flashing	on
Float LED	off	9	12	15
	flashing	10	13	16
	on	11	14	17

Bulk LED on		Absorption LED		
		off	flashing	on
Float LED	off	18	21	24
	flashing	19	22	25
	on	20	23	26

Bulk LED Absorption LED Float LED	Code	Meaning:	Cause/solution:
○ ○ ☀	1	Device is switched off because one of the other phases in the system has switched off.	Check the failing phase.
○ ☀ ○	3	Not all, or more than, the expected devices were found in the system.	The system is not properly configured. Reconfigure the system. Communication cable error. Check the cables and switch all equipment off, and then on again.
○ ☀ ☀	4	No other device whatsoever detected	Check the communication cables.
○ ☀ ☀	5	Overvoltage on AC-out.	Check the AC cables.

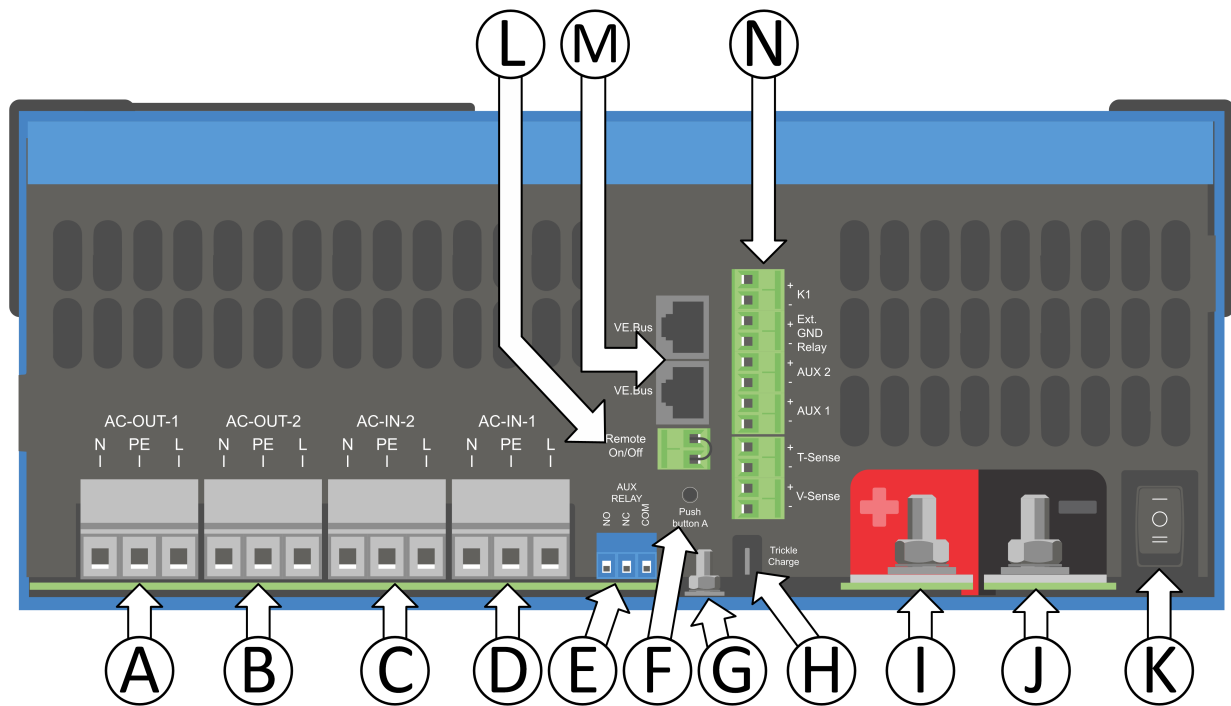
Bulk LED Absorption LED Float LED	Code	Meaning:	Cause/solution:
	10	System time synchronisation problem occurred.	Should not occur in correctly installed equipment. Check the communication cables.
	14	Device cannot transmit data.	Check the communication cables (there may be a short circuit)
	17	One of the devices has assumed 'master' status because the original master failed.	Check the failing unit. Check the communication cables.
	18	Overvoltage has occurred	Check AC cables.
	22	This device cannot function as 'slave'.	This device is an obsolete and unsuitable model. It should be replaced
	24	Switch-over system protection initiated.	Should not occur in correctly installed equipment. Switch all equipment off, and then on again. If the problem recurs, check the installation.  <b>Possible solution: increase lower limit of AC input voltage to 210 VAC (factory setting is 180 VAC)</b>
	25	Firmware incompatibility. The firmware of one the connected devices is not sufficiently up to date to operate in conjunction with this device.	<ol style="list-style-type: none"> <li>1. Switch all equipment off.</li> <li>2. Switch the device returning this error message on.</li> <li>3. Switch on all other devices one by one until the error message reoccurs.</li> <li>4. Update the firmware in the last device that was switched on.</li> </ol>
	26	Internal error.	Should not occur. Switch all equipment off, and then on again. Contact Victron Energy if the problem persists.

## 8. Technical Specifications

Quattro-II	24/5000/120-50	48/5000/70-50
PowerControl / PowerAssist	Yes	
AC input	Input voltage range: 187-265 VAC Input frequency: 45 – 65 Hz	
Maximum feed through current	50 A	
INVERTER		
Input voltage range	19 – 33 V	38 – 66 V
Output (1)	Output voltage: 230 VAC ± 2% Frequency: 50 Hz ± 0,1%	
Cont. output power at 25°C / 77°F (3)	5000 VA	
Cont. output power at 25°C / 77°F	4000 W	
Cont. output power at 40°C / 104°F	3700 W	
Cont. output power at 65°C / 150°F	3000 W	
Maximum feed-in power	5000 VA	
Peak power	9000 W	
Maximum efficiency	96 %	
Zero-load power	18 W	
Zero-load power in AES mode	12 W	
Zero-load power in Search mode	2 W	
CHARGER		
	Input voltage range: 187-265 VAC Input frequency: 45 – 65 Hz Power factor: 1	
Charge voltage 'absorption'	28,8 / 57,6 V	
Charge voltage 'float'	27,6 / 55,2 V	
Storage mode	26,4 / 52,8 V	
Charge current house battery (4)	120 A	70 A
GENERAL		
Auxiliary output	Yes (32 A) Default setting: switches off when in inverter mode	
Programmable relay (5)	Yes	
Protection (2)	a - g	
VE.Bus communication port	For parallel and three phase operation, remote monitoring and system integration	
General purpose com. port	Yes, 2x	
Common Characteristics	Operating temp.: -40 to +65°C (-40 – 150°F) (fan assisted cooling) Humidity (non-condensing): max 95%	
ENCLOSURE		

Quattro-II	24/5000/120-50	48/5000/70-50			
Material & Colour	Steel, blue RAL 5012 category: IP22		Protection Pollution degree 2, OVC3		
Battery-connection	M8 bolts				
230 VAC-connections	Screw terminals 16 mm <sup>2</sup> (6 AWG)				
Weight	30 kg	30 kg			
Dimensions (hwxwd)	560 x 328 x 148 mm	560 x 323 x 148 mm			
STANDARDS					
Safety	EN 60335-1, EN 60335-2-29, IEC62109-1, IEC62109-2				
Emission / Immunity	EN 55014-1, EN 55014-2, EN-IEC 61000-3-2, EN-IEC 61000-3-3 IEC 61000-6-1, EN 61000-6-2, EN 61000-6-3				
Uninterruptible power supply	Please consult the certificates on our website.				
Anti-islanding	Please consult the certificates on our website.				
<table border="0"> <tr> <td style="vertical-align: top;"> <ol style="list-style-type: none"> <li>1. Can be adjusted to 60 Hz; 120V 60 Hz on request</li> <li>2. Protection Battery voltage too low                             <ol style="list-style-type: none"> <li>a. Output short circuit</li> <li>b. Overload</li> <li>c. Battery voltage too high</li> <li>d. Battery voltage too low</li> <li>e. Temperature too high</li> <li>f. 230 VAC on inverter output</li> <li>g. Input voltage ripple too high</li> </ol> </li> </ol> </td> <td style="vertical-align: top; padding-left: 20px;"> <ol style="list-style-type: none"> <li>1. Non-linear load, crest factor 3:1</li> <li>2. At 75°F / 25°C ambient</li> <li>3. Programmable relay which can be set for general alarm, DC under voltage or genset start/stop function. AC rating: 120V / 4A, DC rating: 4A up to 35VDC and 1A up to 60VDC</li> <li>4. A. o. to communicate with a Lithium-Ion battery BMS</li> <li>5. The auxiliary output of an early production batch of this product was rated at 35A instead of 50A. This batch has serial numbers starting with HQ2107. Later batches, with 50A aux. output have serial numbers starting with HQ2114 or higher.</li> </ol> </td> </tr> </table>				<ol style="list-style-type: none"> <li>1. Can be adjusted to 60 Hz; 120V 60 Hz on request</li> <li>2. Protection Battery voltage too low                             <ol style="list-style-type: none"> <li>a. Output short circuit</li> <li>b. Overload</li> <li>c. Battery voltage too high</li> <li>d. Battery voltage too low</li> <li>e. Temperature too high</li> <li>f. 230 VAC on inverter output</li> <li>g. Input voltage ripple too high</li> </ol> </li> </ol>	<ol style="list-style-type: none"> <li>1. Non-linear load, crest factor 3:1</li> <li>2. At 75°F / 25°C ambient</li> <li>3. Programmable relay which can be set for general alarm, DC under voltage or genset start/stop function. AC rating: 120V / 4A, DC rating: 4A up to 35VDC and 1A up to 60VDC</li> <li>4. A. o. to communicate with a Lithium-Ion battery BMS</li> <li>5. The auxiliary output of an early production batch of this product was rated at 35A instead of 50A. This batch has serial numbers starting with HQ2107. Later batches, with 50A aux. output have serial numbers starting with HQ2114 or higher.</li> </ol>
<ol style="list-style-type: none"> <li>1. Can be adjusted to 60 Hz; 120V 60 Hz on request</li> <li>2. Protection Battery voltage too low                             <ol style="list-style-type: none"> <li>a. Output short circuit</li> <li>b. Overload</li> <li>c. Battery voltage too high</li> <li>d. Battery voltage too low</li> <li>e. Temperature too high</li> <li>f. 230 VAC on inverter output</li> <li>g. Input voltage ripple too high</li> </ol> </li> </ol>	<ol style="list-style-type: none"> <li>1. Non-linear load, crest factor 3:1</li> <li>2. At 75°F / 25°C ambient</li> <li>3. Programmable relay which can be set for general alarm, DC under voltage or genset start/stop function. AC rating: 120V / 4A, DC rating: 4A up to 35VDC and 1A up to 60VDC</li> <li>4. A. o. to communicate with a Lithium-Ion battery BMS</li> <li>5. The auxiliary output of an early production batch of this product was rated at 35A instead of 50A. This batch has serial numbers starting with HQ2107. Later batches, with 50A aux. output have serial numbers starting with HQ2114 or higher.</li> </ol>				

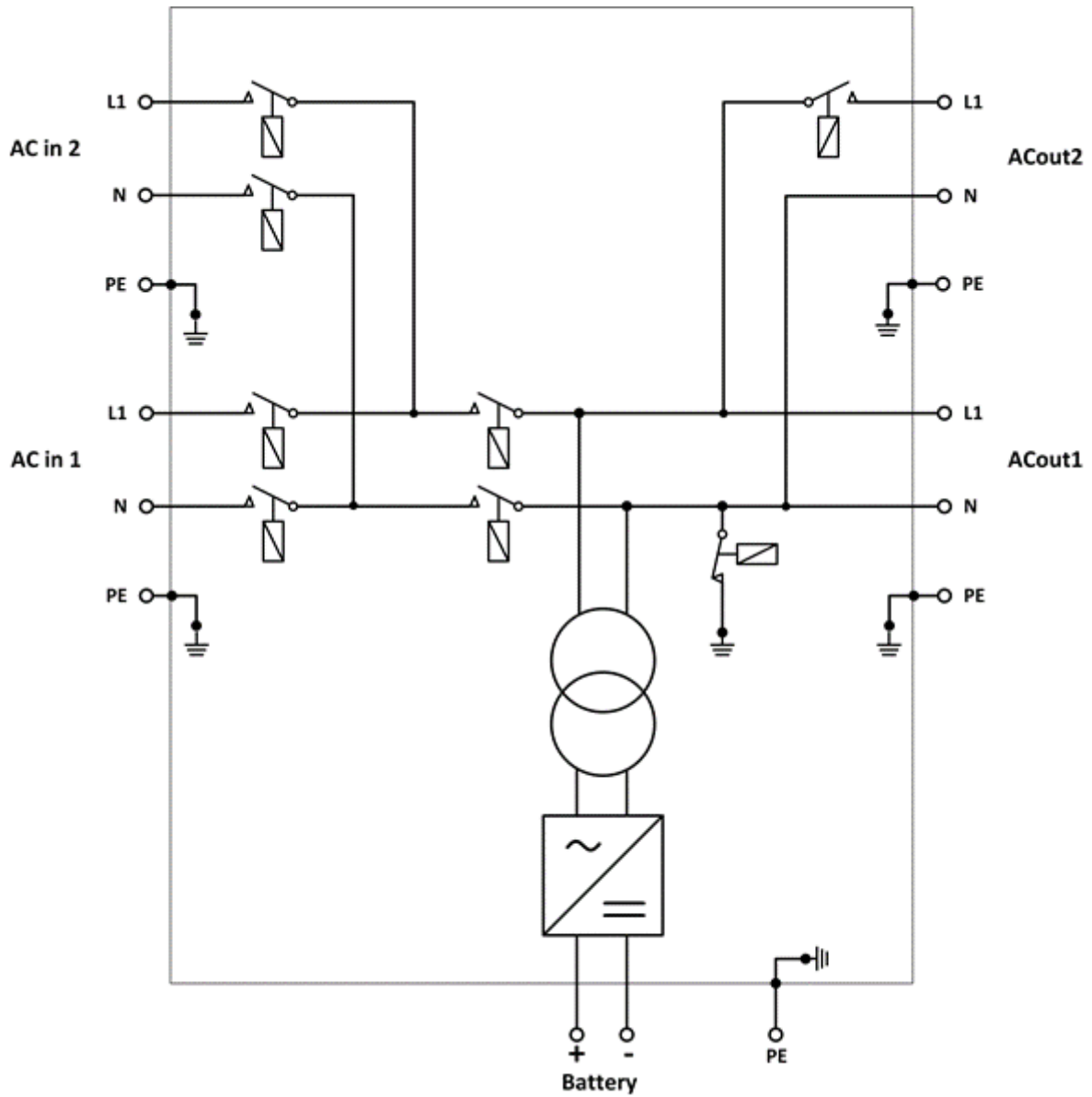
## Appendix A. APPENDIX A: Connection overview



A	Load connection. AC out1. Left to right: N (neutral), PE (earth/ground), L (phase)
B	Load connection. AC out2. Left to right: N (neutral), PE (earth/ground), L (phase)
C	AC input 2: Left to right: N (neutral), PE (earth/ground), L (phase)
D	AC input 1: Left to right: N (neutral), PE (earth/ground), L (phase)
E	Alarm contact: (left to right) NO, NC, COM.
F	Push button A - To perform a startup without assistants
G	Primary ground connection M6 (PE).
H	Trickle charge (12 and 24V model only)
I	M8 battery positive connection.
J	M8 battery minus connection.
K	switch: 1=On, 0=Off,   =charger only
L	Connector for remote switch: Short to switch "on".
M	2x RJ45 VE-BUS connector for remote control and/or parallel / three-phase operation

N	<p>Terminal for: top to bottom:</p> <ol style="list-style-type: none"><li>1. 12V 100mA</li><li>2. Programmable contact K1 open collector 70V 100mA</li><li>3. External ground relay +</li><li>4. External ground relay –</li><li>5. Aux input 1 +</li><li>6. Aux input 1 -</li><li>7. Aux input 2 +</li><li>8. Aux input 2 -</li><li>9. Temperature sense +</li><li>10. Temperature sense -</li><li>11. Battery voltage sense +</li><li>12. Battery voltage sense -</li></ol>
---	---

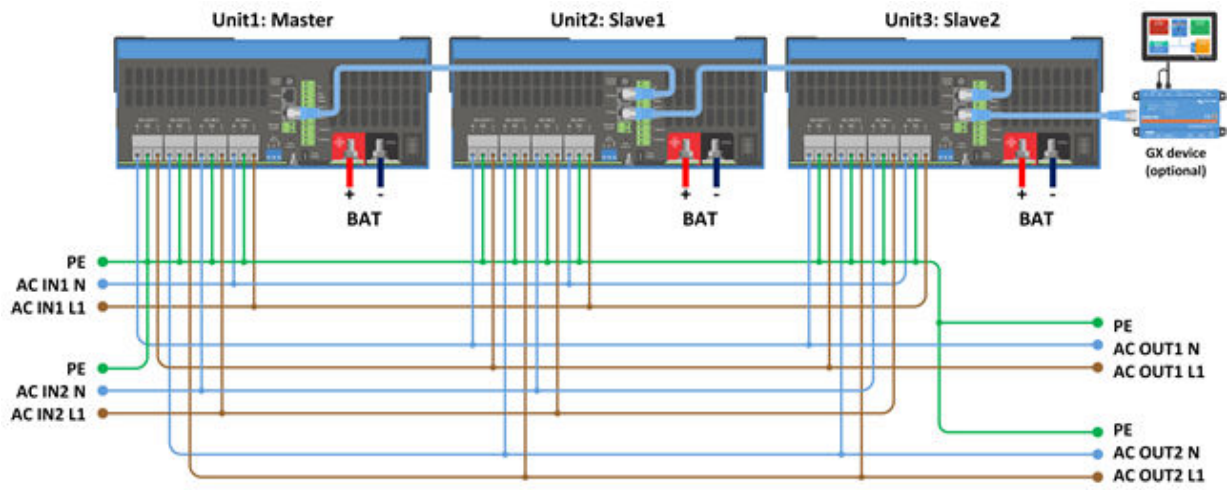
## Appendix B. APPENDIX B: Block diagram



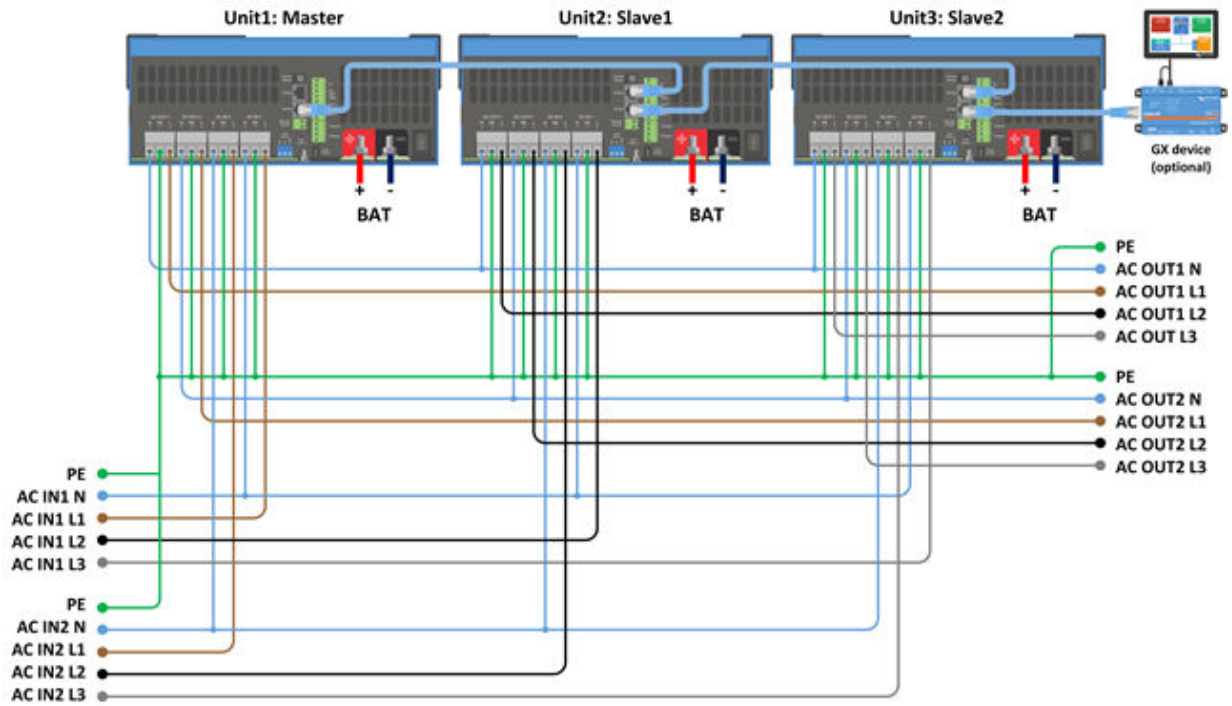
\* See table in Chapter 4.2 'Recommended DC fuse'



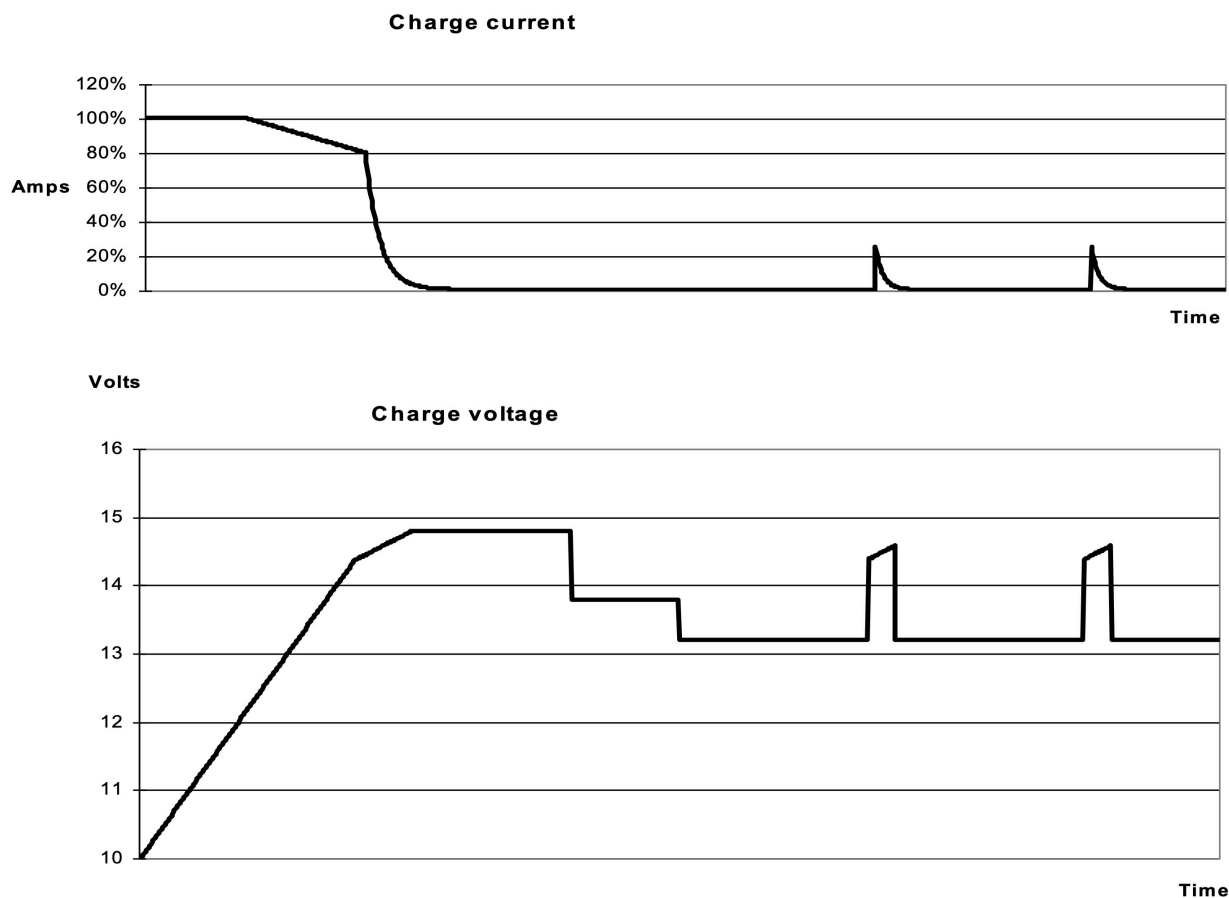
# Appendix C. APPENDIX C: Parallel connection



## Appendix D. APPENDIX D: Three phase connection



## Appendix E. APPENDIX E: Charge algorithm



### 4-stage charging:

#### Bulk

Entered when charger is started. Constant current is applied until nominal battery voltage is reached, depending on temperature and input voltage, after which constant power is applied up to the point where excessive gassing is starting (14.4 V resp. 28.8 V, temperature compensated).

#### Battery Safe

The applied voltage to the battery is raised gradually until the set Absorption voltage is reached. The Battery Safe Mode is part of the calculated absorption time.

#### Absorption

The absorption period is dependent on the bulk period. The maximum absorption time is the set Maximum Absorption time.

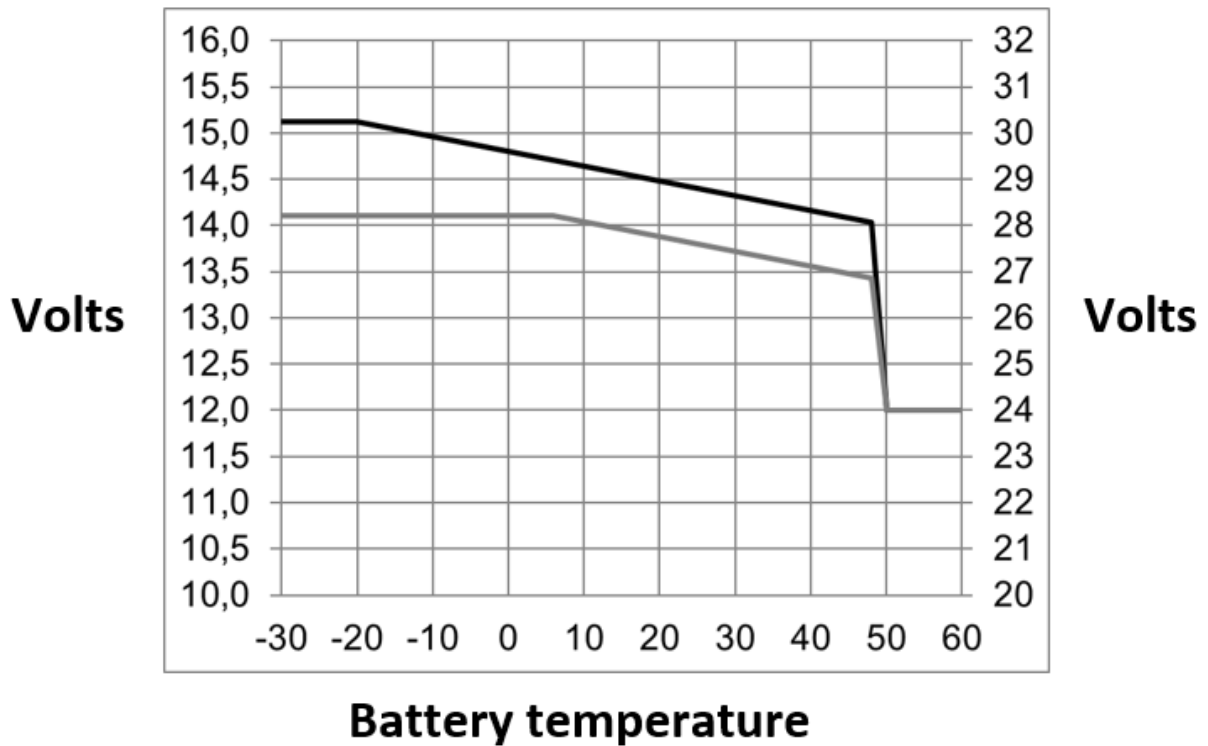
#### Float

Float voltage is applied to keep the battery fully charged

#### Storage

After one day of float charge the output voltage is reduced to storage level. This is 13,2 V resp. 26,4 V (for 12 V and 24 V charger). This will limit water loss to a minimum when the battery is stored for the winter season. After an adjustable time (default = 7 days) the charger will enter Repeated Absorption-mode for an adjustable time (default = one hour) to 'refresh' the battery.

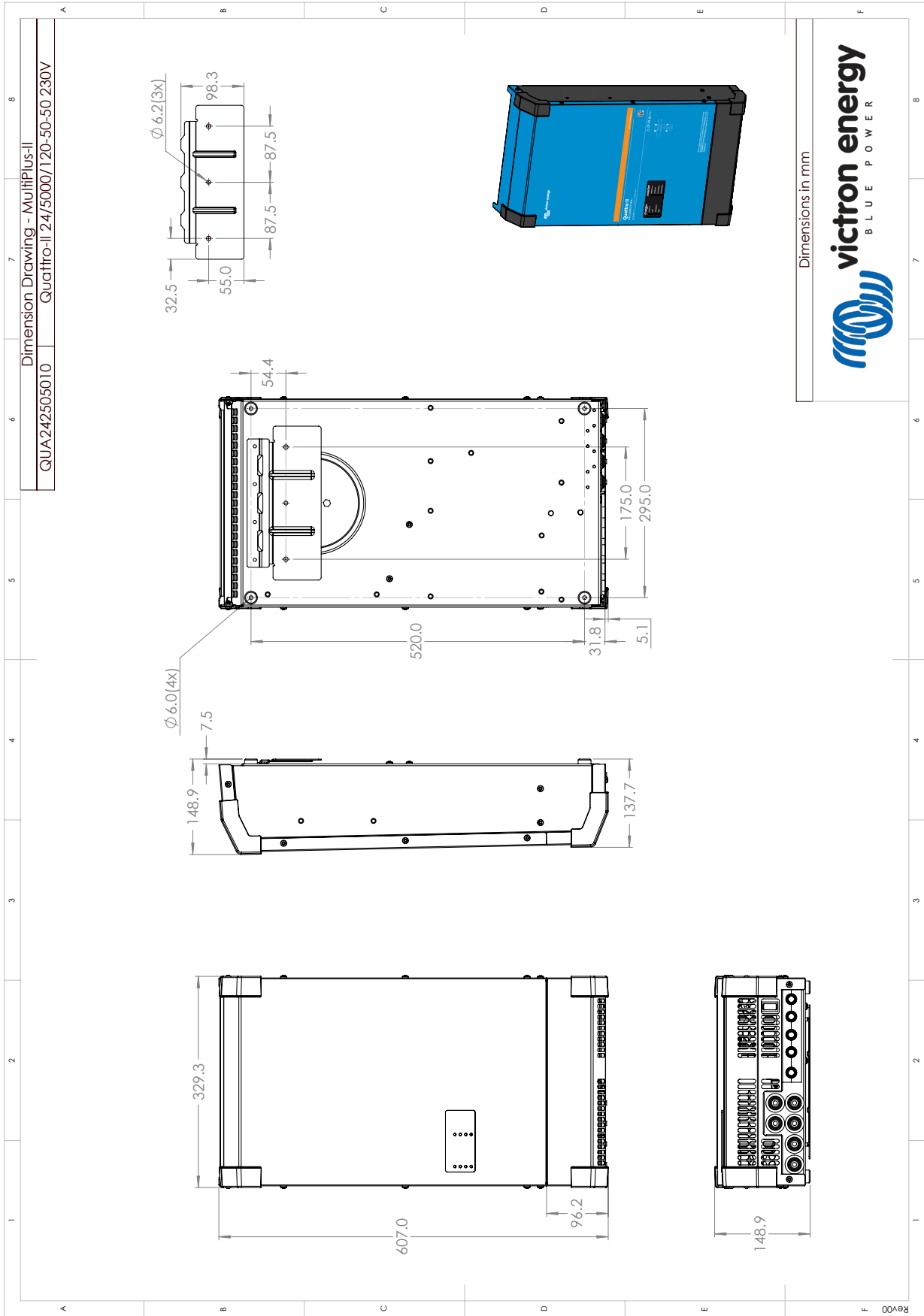
**Appendix F. APPENDIX F: Temperature compensation**



Default output voltages for Float and Absorption are at 25 °C.

Reduced Float voltage follows Float voltage and Raised Absorption voltage follows Absorption voltage. In adjust mode temperature compensation does not apply.

## Appendix G. APPENDIX G: Dimensions



Rev00

