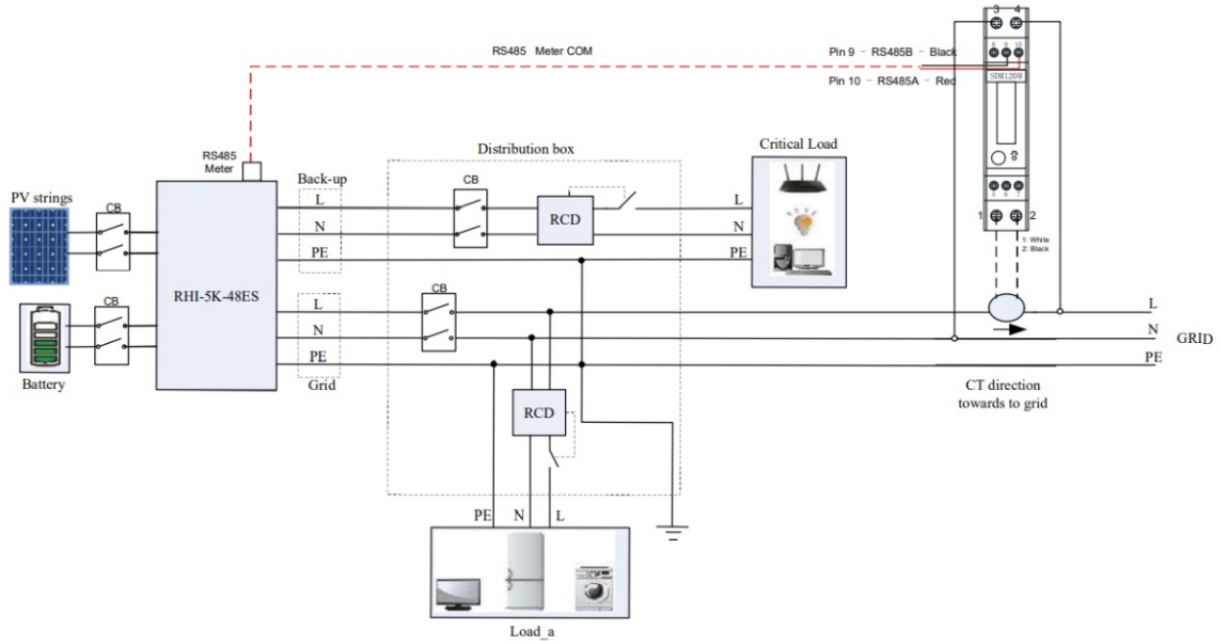


# Eastron Meter setup

Modified on Fri, 22 Jul 2022 at 11:52 AM



The change an acrel (rj45) meter cable to eastron: simply cut off the rj45 and take cores 6 and 8 to RS485A (pin 10 on Eastron meter) and cores 3&7 to RS485B (pin 9 on Eastron meter).

