



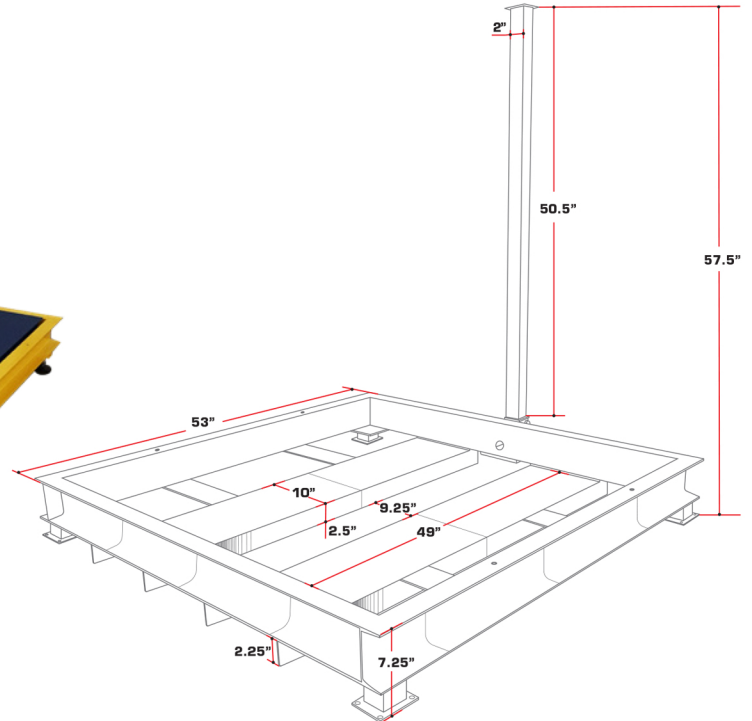
FORK LIFT ACCESSIBLE



PALLET JACK ACCESSIBLE



CARBON STEEL



FEATURES

- Powder coated steel construction
- This portable frame allows easy entry of forklifts or pallet jacks to move the scales
- Wide slots on the bottom to allow for easy transportation via forklift or pallet jack without touching or damaging scale
- Option of sturdy feet or rolling caster wheels
- For use with all sellEton floor scales

MODELS	INNER DIMENSIONS
SL-800-PPF-2X2	2' X 2' X 4.25" H
SL-800-PPF-2X3	2' X 3' X 4.25" H
SL-800-PPF-3X3	3' X 3' X 4.25" H
SL-800-PPF-4X4	4' X 4' X 4.25" H
SL-800-PPF-4X5	4' X 5' X 4.25" H
SL-800-PPF-4X6	4' X 6' X 4.25" H

MODELS	INNER DIMENSIONS
SL-800-PPF-4X8	4' X 8' X 4.25" H
SL-800-PPF-5X5	5' X 5' X 4.25" H
SL-800-PPF-5X7	5' X 7' X 4.25" H
SL-800-PPF-5X8	5' X 8' X 4.25" H
SL-800-PPF-6X6	6' X 6' X 4.25" H
SL-800-PPF-7X7	7' X 7' X 4.25" H