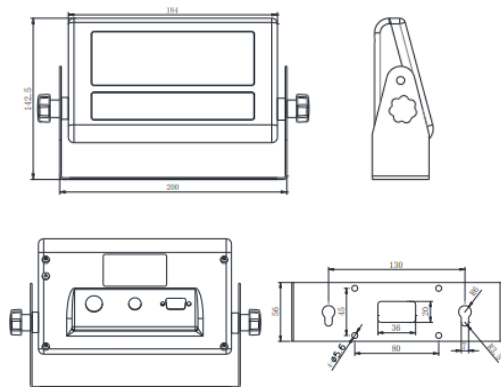




### DIMENSIONS



### FEATURES

- ✓ General weighing: Zero/Tare
- ✓ LED or LCD display option
- ✓ Multiple weighing units: (kg/lb)
- ✓ Optional RS232 function with real-time clock
- ✓ Auto-hold, Peak hold, Animal weighing
- ✓ Connect up to four 350-ohm load cells
- ✓ Built-in rechargeable Battery
- ✓ Easy connection with quick connector or standard plug
- ✓ Automatic Power off (power saving mode)
- ✓ 5 year warranty

### TECHNICAL SPECIFICATIONS

**Resolution:**

5000 e

**Excitation Circuit:**

+3.3 DC

**Load Signal Range:**

-7~12.8mV

**Operation Temperature:**

-10°C~+40°C; ≤85% RH

**Load Capacity :**

4 load cells of 350 Ω

**Interval Options:**

1/2/5/10/20/50

**AD Converting Speed:**

10 SPS

**Power Supply:**

3.7V/2Ah Lithium battery  
25-hour battery life

