

info@selleton scales.com
844-735-5386 • Selleton scales.com



SL-7516 SERIES INDICATOR

The SL-7516 series consists of the **SL-7516-E** (LED Screen) and **SL-7516-C** (LCD Screen), both of these come with rechargeable batteries, computer/printer connections, RS232 ports and are encased in a plastic enclosure. The indicator has multiple weighing units and the standard, gross, tare and zero functions as well as 4 different hold functions. This indicator is user friendly with an easy to read 1" tall ultra bright screen and can handle all your standard weighing needs.

STANDARD FEATURES:

- Multiple weighing units: (lb/kg)
- Gross/Tare/Tare/Zero
- Multiple Hold functions
- Overload / Underload alarm
- Power saving mode
- 100% manual zero range setting
- Automatic error warning alarm
- Splash proof keyboard and display
- Connects to a remote display
- Connects to optima printers
- Displays up to 50,000 graduations
- 1" LED or LCD display with backlight
- Mounting bracket and Hardware (included)
- Operates on 110V AC adapter (included)
- Full Duplex RS-232 Serial Port
- Drives up to 6 350Ω load cells
- 1 Year Warranty

OPTIONAL FEATURES:

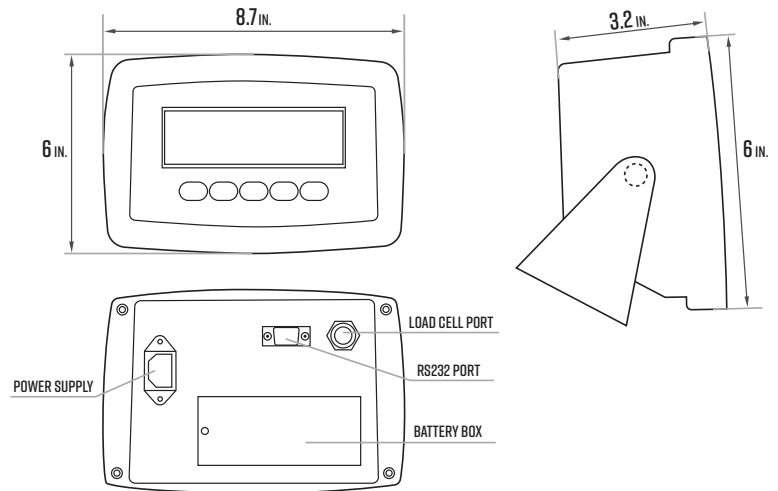
- LED or LCD display option
- Wireless capability

ACCESSORIES:

- Thermal Ticket Printer
- Label Printer
- Zebra Label Printer
- Remote Display
- Stainless Steel Stand
- Painted Mild Steel Stand



DIMENSIONS:



SPECIFICATIONS:

Display	LCD or LED 1-inch x 6-digit numeric
Units	lb, kg (primary); oz, g (secondary)
Accuracy Class	3000 e
Resolution	120,000 dd industrial; 10,000 dd HB44
Excitation Voltage	5V DC
Largest output current	120 mA
Excitation circuit	5 VDC, 4 wire connections
Load Cell	6 load cells of 350 Ω maximum
Load Cell Excitation	5 ± 0.5VDC
Display Resolution	30,000 ; ADC: 2,000,000
Zero stability error	TKspn < ± 6 ppm/K
Sensitivity (internal)	0.3 μV / d
Input voltage	-30 to +30mV DC
Power	100~240VAC @ 50/60Hz
Power Consumption	5W @9VDC
Operating Temp.	14 °F to 104 °F (-10 °C to +40 °C) ≤90%RH
Weight	4.3 lbs (1.95 kg)
Internal Resolution	24 bit A/D Sigma-Delta; 1,048,000 d
Display Resolution	120,000 dd industrial; 10,000 dd HB44
Display Increment	Selectable 1, 2, 5, 10, 20, 50
Decimal Point	Selectable 0, 1, 2, 3, 4 decimal places
Conversion Rate	12 samples/second typical
Analog Signal Input Range	1mV/V to 3mV/V
Analog Signal Sensitivity	0.1 uV/graduation (min)
Measurement Rate	0~15mV
Auto Zero Tracking	0 - 5 dd increments
Auto Zero Delay	0 - 3 second increments
Motion Detect	1 - 10 dd
Motion Delay	0 - 55 dd