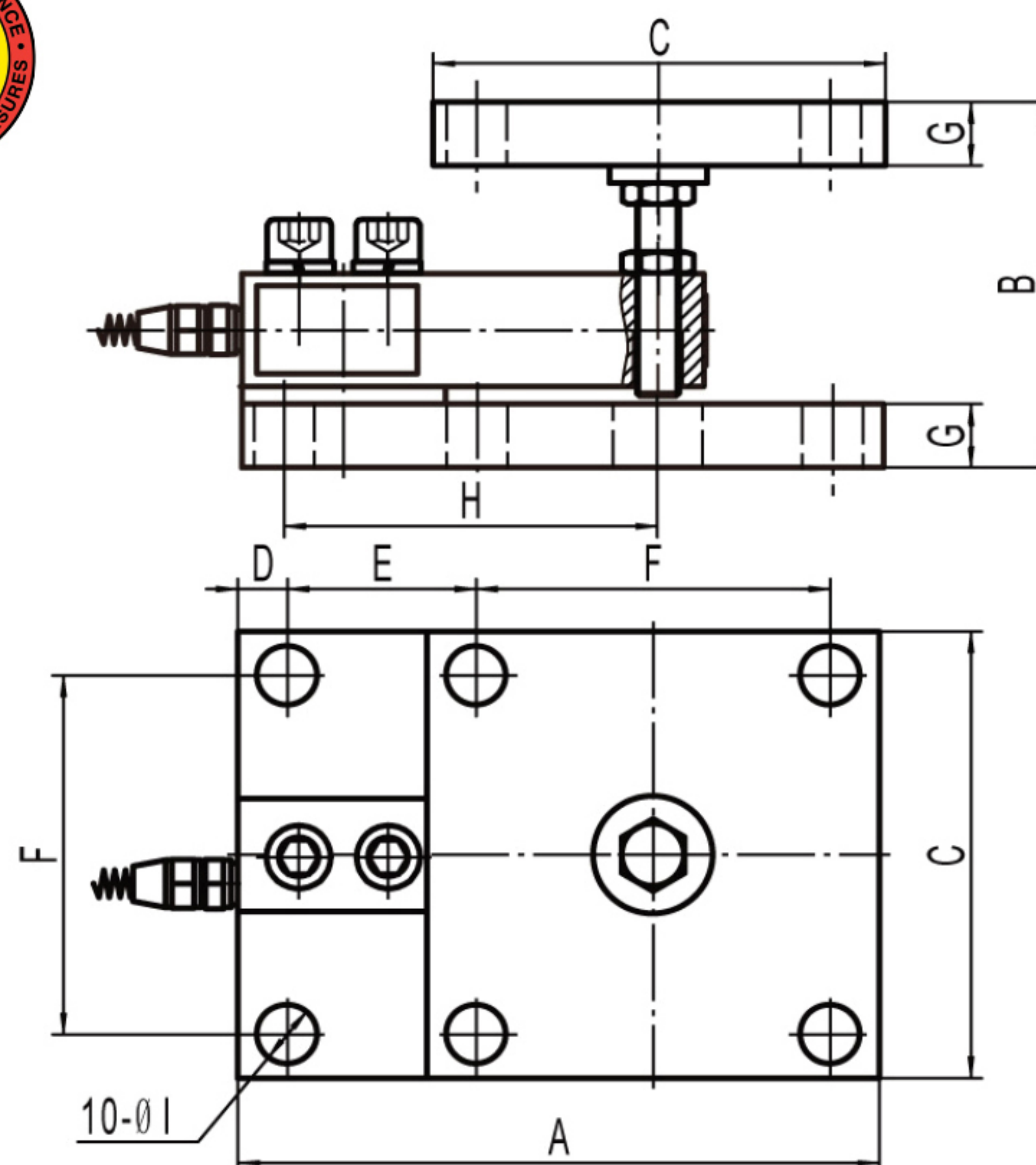


SL-730-TM Weighing Assemblies, Alloy Steel | IP67



| PRICE | |
|-------------------|--------------|
| PART# | CAPACITY |
| SL-730-SS-TM-0.25 | 250 lbs |
| SL-730-SS-TM-0.5 | 500 lbs |
| SL-730-SS-TM-1 | 1,000 lbs |
| SL-730-SS-TM-1.5 | 1,500 lbs |
| SL-730-SS-TM-2 | 2,000 lbs |
| SL-730-SS-TM-2.5 | 2,500 lbs |
| SL-730-SS-TM-4 | 4,000 lbs |
| SL-730-SS-TM-5 | 5,000 lbs |
| SL-730-SS-TM-5-LE | 5,000 LE lbs |
| SL-730-SS-TM-10 | 10,000 lbs |
| SL-730-SS-TM-15 | 15,000 lbs |
| SL-730-SS-TM-20 | 20,000 lbs |

| RATED CAPACITY | DIMENSIONS | | | | | | | | |
|-------------------|------------|---------------|--------|-------|--------|--------|-------|--------|-------|
| | A | B | C | D | E | F | G | H | I |
| lb/inches | | | | | | | | | |
| 250 - 5K lbs | 7.12 | 4.00-4.50 | 5.00 | 0.56 | 2.00 | 4.00 | 0.70 | 4.00 | 0.63 |
| 5K LE - 10K lbs | 8.50 | 5.00-5.50 | 5.00 | 0.75 | 3.00 | 4.00 | 0.94 | 5.00 | 0.63 |
| 15K - 20K lbs | 10.88 | 7.00-7.50 | 6.00 | 0.87 | 4.63 | 4.50 | 1.44 | 6.88 | 0.88 |
| kg/mm | | | | | | | | | |
| 113-2,268 kg | 180.85 | 101.60-114.30 | 127.00 | 14.22 | 50.80 | 101.60 | 17.78 | 101.60 | 16.00 |
| 2,268 LE-4,536 kg | 215.90 | 127.00-139.70 | 127.00 | 19.05 | 76.20 | 101.60 | 23.88 | 127.00 | 16.00 |
| 6,804-9.072 kg | 276.35 | 177.80-190.50 | 152.40 | 22.10 | 117.60 | 114.30 | 36.58 | 174.75 | 22.35 |

COMPLETE KIT INCLUDES:

- 3 or 4 SL-730 NTEP certified alloy steel load cells
- 3 or 4 SL-730-TM compression mounts
- 1 SL-416-SS stainless junction box

SPECIFICATIONS
Rated Capacity:

lbs: 250/500/1K/1.5K/2K/2.5K/
4K/5K/5K LE/10K/15K/20K

Rated Output:

3.0mV/V

Load Cell Resistance:

350 OHMS

Load Cell Cable:

Standard Cable:
250 - 5K lbs: 20ft/6m
10K - 20K lbs: 40ft/12m

Safe Overload:

150% F.S

Destructive Load:

300% F.S

Excitation Recommended:

10-15V AC/DC

Operation Temperature:

-10°C - 40°C (14°F - 104°F)

Construction:

Load Cell: Stainless Steel
Module: Stainless Steel

