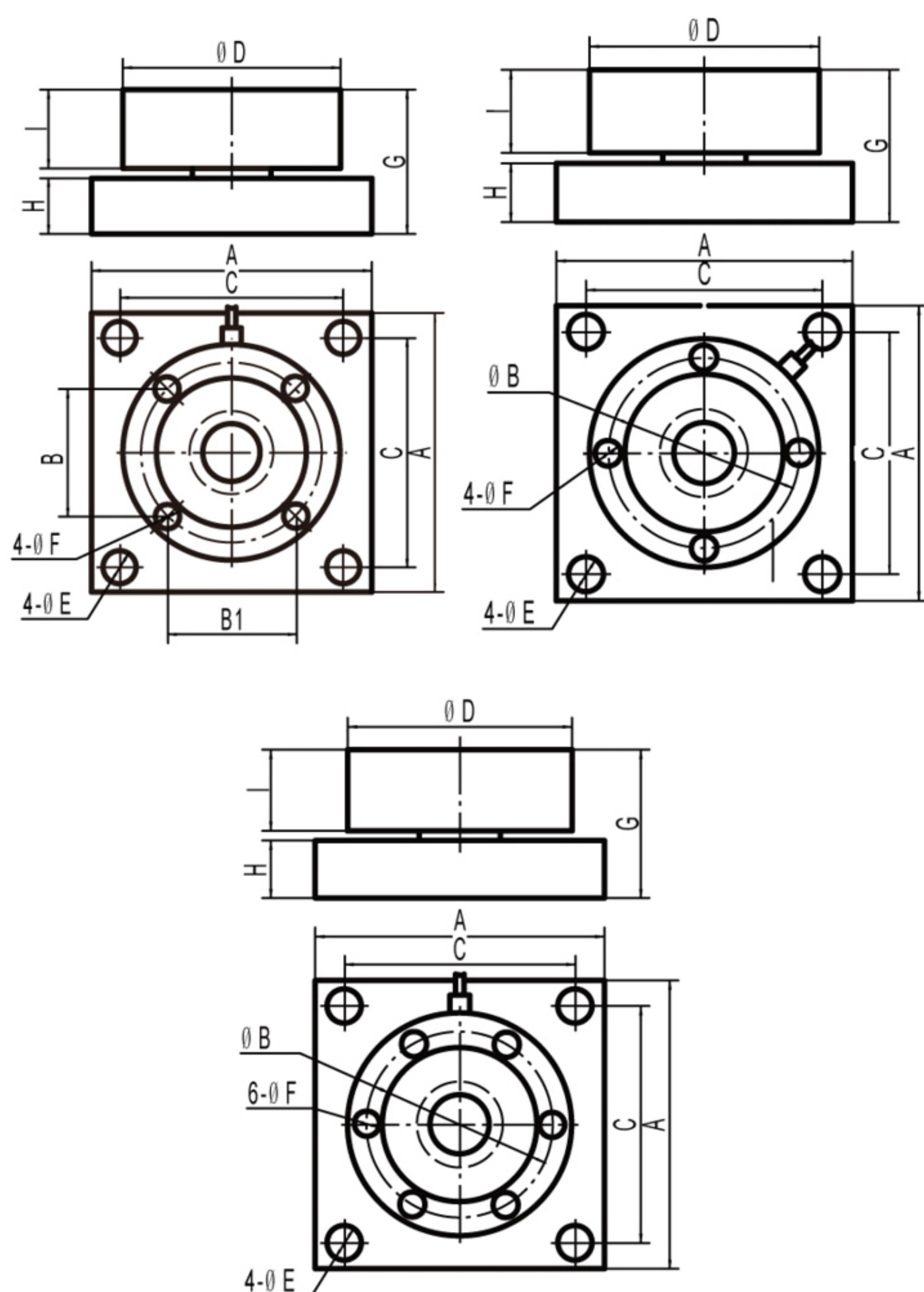


# SL-352-TM Weighing Assemblies, Nickel Plated Alloy | IP67


**COMPLETE KIT INCLUDES:**

- 3 or 4 SL-352 alloy steel load cells
- 3 or 4 SL-352-TM compression mounts
- 1 SL-416-SS stainless junction box

PRICING INFORMATION	
MODEL	CAPACITY
<b>ALLOY STEEL</b>	
SL-352-TM-5	5,000 lbs
SL-352-TM-10	10,000 lbs
SL-352-TM-15	15,000 lbs
SL-352-TM-20	20,000 lbs
SL-352-TM-25	25,000 lbs
SL-352-TM-35	35,000 lbs
SL-352-TM-50	50,000 lbs
SL-352-TM-60	60,000 lbs
SL-352-TM-75	75,000 lbs
SL-352-TM-100	100,000 lbs
SL-352-TM-150	150,000 lbs
SL-352-TM-200	200,000 lbs
SL-352-TM-250	250,000 lbs
SL-352-TM-300	300,000 lbs
SL-352-TM-400	400,000 lbs
SL-352-TM-450	450,000 lbs



RATED CAPACITY	DIMENSIONS									
	A	B	C	D	E	F	G	H	I	J
<b>lb/inches</b>										
5K-10K lbs	4.00	2.00	3.25	3.50	0.40	3/8-16	1.35	0.375	0.75	N/A
15K lbs	4.00	2.00	3.25	3.50	0.40	3/8-16	1.60	0.625	0.75	N/A
20K-50K lbs	7.00	3.75	5.50	6.00	0.63	1/2-13	2.48	0.75	1.30	1/2-14NPT
60K-100K lbs	8.00	4.25	6.50	7.00	0.81	3/4-16	2.50	1.00	1.30	1/2-14NPT
150K-200K lbs	10.00	7.83	8.00	9.00	1.10	1-14	4.75	2.00	1.70	1/2-14NPT
250K-450K lbs	11.00	7.75	9.00	9.00	1.30	7/8-14	6.42	3.00	2.25	1/2-14NPT
<b>kg/mm</b>										
2,268-4,536 kg	101.60	50.80	82.55	88.90	10.16	3/8-16	34.29	9.53	19.05	N/A
6,804 kg	101.60	50.80	82.55	88.90	10.16	3/8-16	40.64	15.88	19.05	N/A
9,072-22,680 kg	177.80	95.25	139.70	152.40	16.00	1/2-13	62.99	19.05	33.02	1/2-14NPT
27,216-45,360 kg	203.20	107.95	165.10	177.80	20.57	3/4-16	63.50	25.40	33.02	1/2-14NPT
68,040-90,720 kg	254.00	198.88	203.20	228.60	27.94	1-14	120.65	50.80	43.18	1/2-14NPT
113,400-204,120 kg	279.40	196.85	228.60	228.60	33.02	7/8-14	163.09	76.20	57.15	1/2-14NPT

**SPECIFICATIONS**
**Rated Capacity:**

**lbs:** 5K/10K/15K/20K/25K/35K/50K/60K/75K/100K/150K/200K/250K/300K/400K/450K

**Rated Output:**

4.0mV/V

**Load Cell Resistance:**

350 OHMS

**Load Cell Cable:**

Standard Cable  
60ft/18m

**Safe Overload:**

150% F.S

**Destructive Load:**

300% F.S

**Excitation Recommended:**

10-15V AC/DC

**Operation Temperature:**

-20°C - 60°C (-4°F - 104°F)

**Construction:**

Load Cell: Alloy Steel  
Module: Alloy Steel

