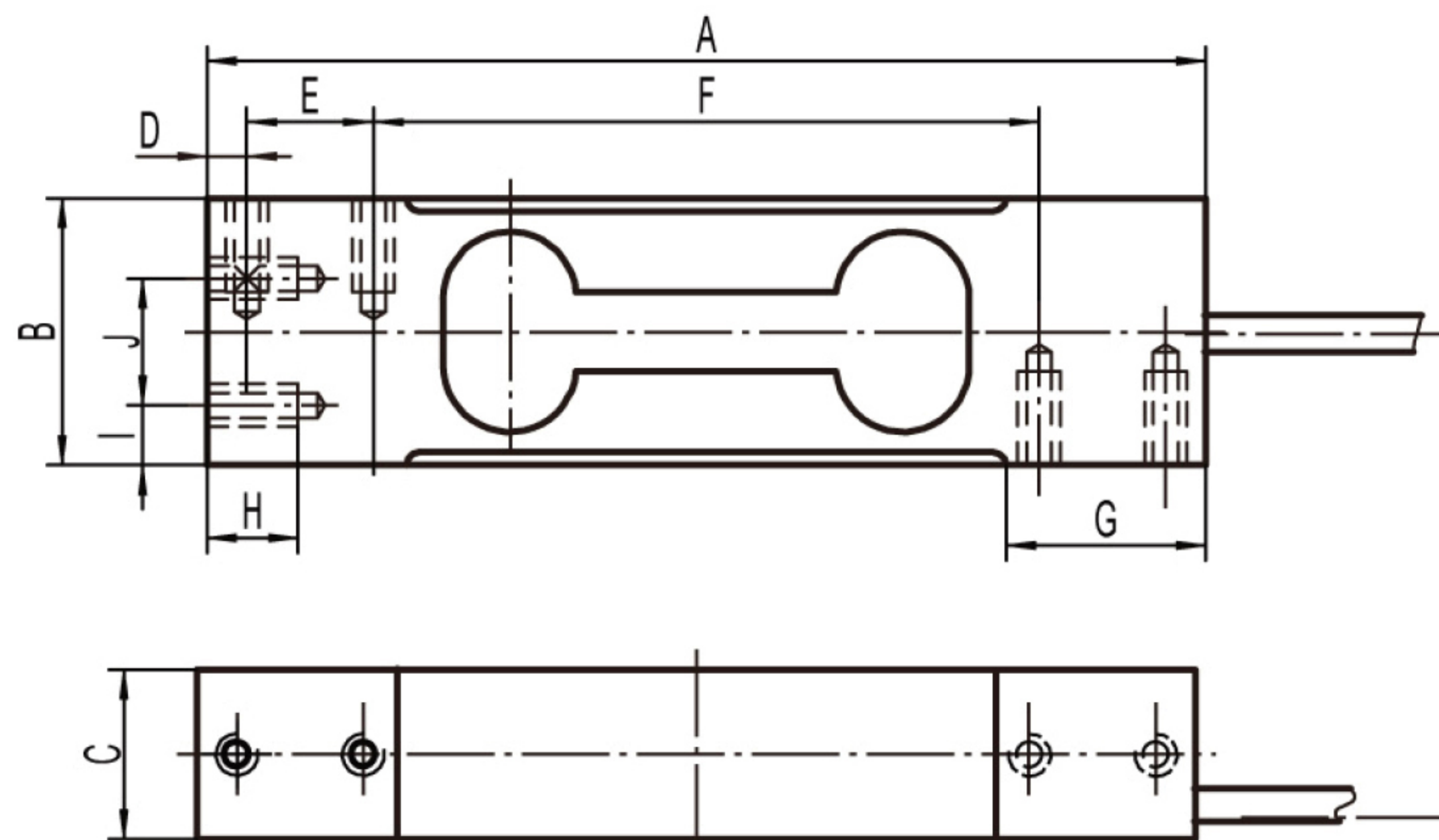
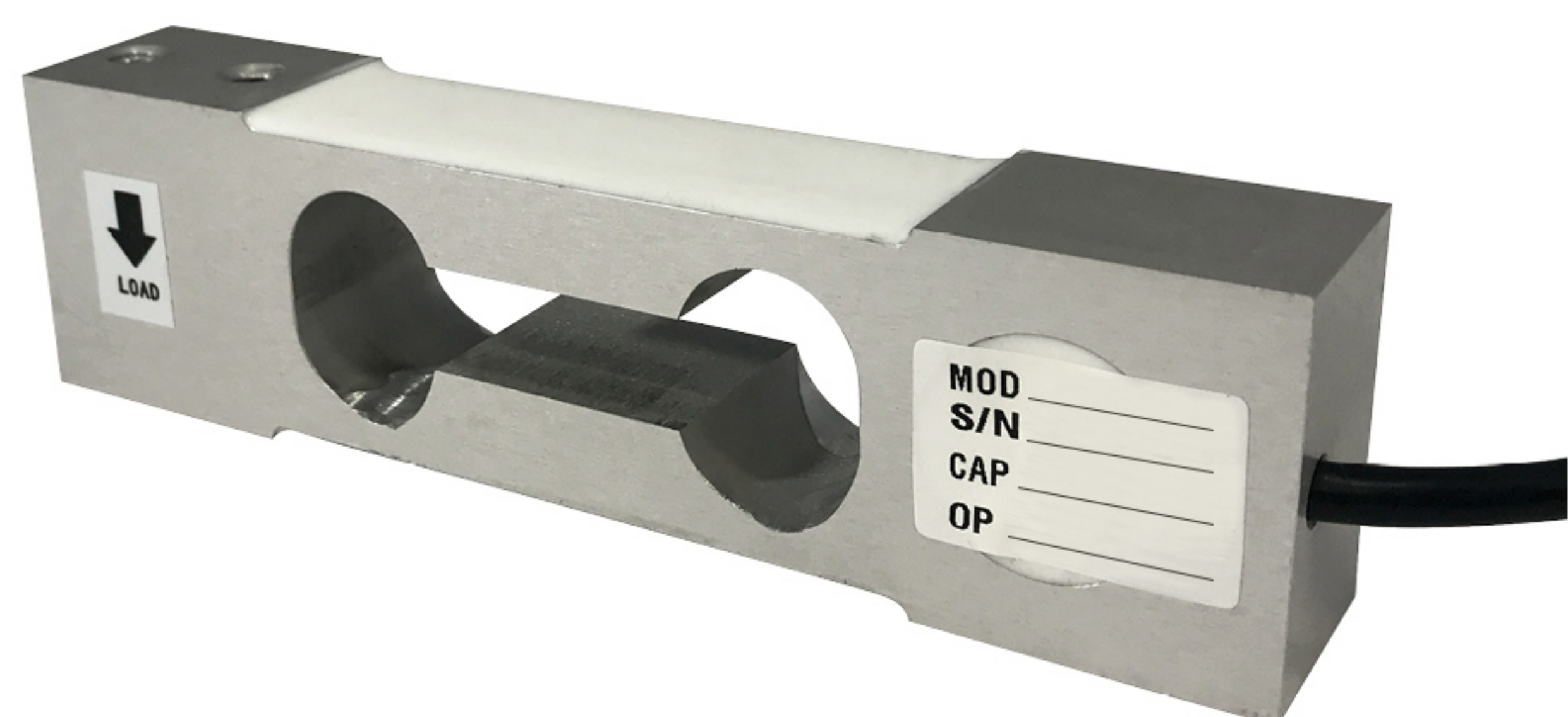


SL-301 Single Point Beam, Aluminum



PRICE	
PART#	CAPACITY
SL-301-3	3 kg
SL-301-5	5 kg
SL-301-7	7 kg
SL-301-10	10 kg
SL-301-15	15 kg
SL-301-20	20 kg
SL-301-30	30 kg
SL-301-50	50 kg
SL-301-75	75 kg
SL-301-100	100 kg

RATED CAPACITY	DIMENSIONS										
	A	B	C	D	E	F	G	H	I	J	
lb/inches											
7-66 lb	5.91	1.58	0.79	0.24	0.75	3.94	1.34	1/4-20UNF x 0.44 dp	0.37	0.75	
110-220 lb	5.91	1.58	0.99	0.24	0.75	3.94	1.34	1/4-20UNF x 0.44 dp	0.37	0.75	
kg/mm											
3-30 kg	150.11	40.13	20.01	6.10	19.05	100.08	34.04	1/4-20UNF x 0.44 dp	9.40	19.05	
50-100 kg	150.11	40.13	25.14	6.10	19.05	100.08	34.04	1/4-20UNF x 0.44 dp	9.40	19.05	

SPECIFICATIONS

Rated Capacity:

kg: 3/5/7/10/15/20/30/50/75/100

Rated Output:

2.0±0.2mV/V

Non-linearity:

±0.02% F.S.

Hysteresis:

±0.02% F.S.

Repeatability:

±0.02% F.S.

Creep (30 minutes):

±0.03% F.S.

Temperature Effect on Span:

±0.0015% F.S./C

Temperature Effect on Zero:

±0.0027% F.S./C

Zero Balance:

±1.00% F.S./C

Insulation Resistance:

>5000 MEGOHMS

Input Impedance:

410±10Ω

Output Impedance:

350±3Ω

Safe Overload:

150% F.S

Destructive Load:

200% F.S

Excitation Recommended:

4-12V AC/DC

Material/Finish:

Aluminum

Operation Temperature:

-10°C - + 40°C (14°F - 104°F)

Cable Length:

Standard Cable - 20ft/6m

Load Cell Wiring:

 Red..... +Excitation
 Black.....-Excitation
 Green.....+Signal
 White.....-Signal

INTERCHANGEABLE PRODUCTS

Cardinal: TSP