

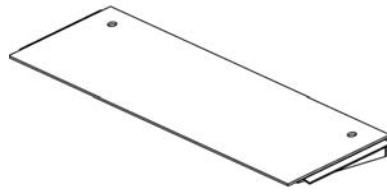
# Installation Instruction for Pancake scale



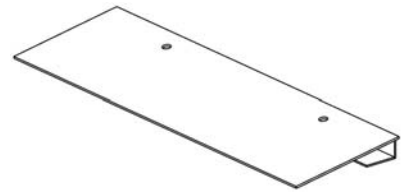
## Scale Components



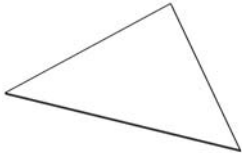
platform (total: 2pcs)



ramp A (total: 4pcs)



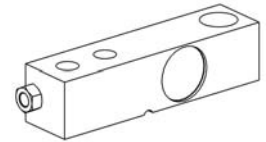
ramp B (total: 4pcs)



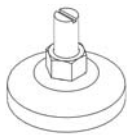
ramp C (total: 2pcs)



ramp D (total: 2pcs)



Load cell (total: 8pcs)



indicator (total: 8pcs)



indicator (total: 1pcs)



junction box (total: 2pcs)



Singal cable for indicator  
(total: 2pcs)

## Bolts details



M16 eyebolt  
(4 pcs)



Stopper bolt  
M10 x 60 mm  
(18 pcs)



Anchor bolt  
M12 x 100 mm  
(16 pcs)



bolt for ramp  
(16 pcs)

## Tools Required for Installation



folklift



tape



churn drill



wrench



internal hexagonal wrench



chains (2 pcs)



hydraulic jack



flat blade screwdriver



hammer



Auto Socket Wrench



crowbar

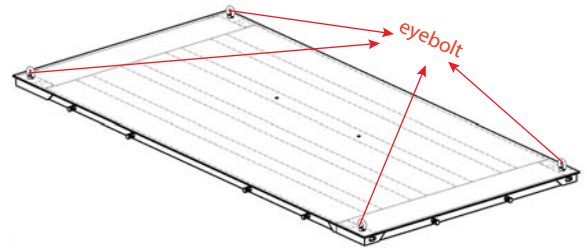


spirit level

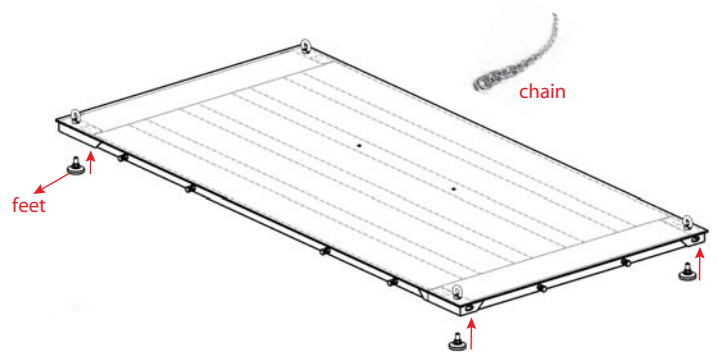
# Scale Installation

(1) Make sure the complete installation is done on a level ground .

(2) Fix four eyebolts on the corners of platform .



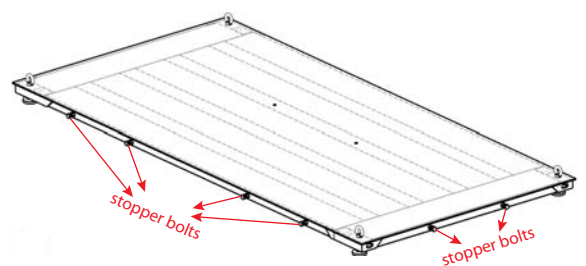
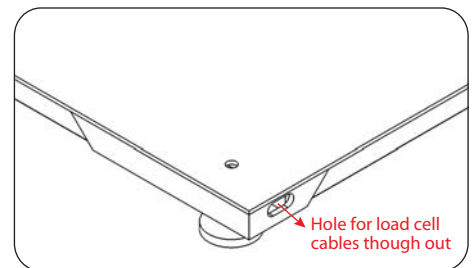
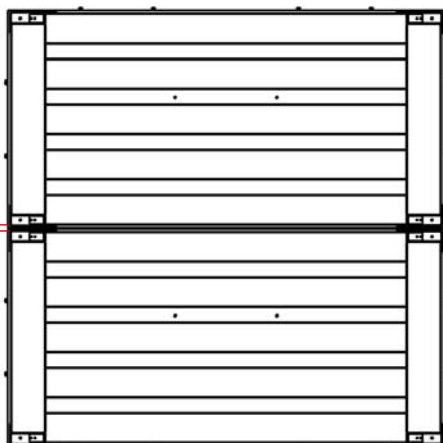
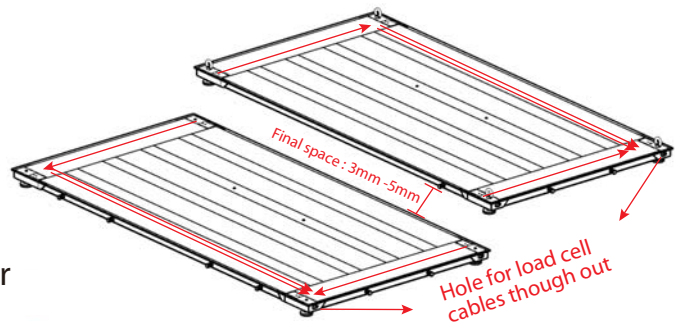
(3) Lift up platform by chains to install feet .



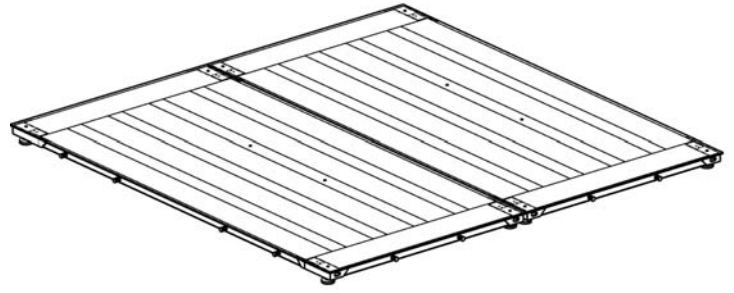
(4) Follow the same step to install the other piece .

Note : a. The hole on the corner of platform need to place on the lower left quarter and right corner .

b. Leave a space (3mm-5mm) between stopper bolt with U-beam on the other piece . to avoid impaction .

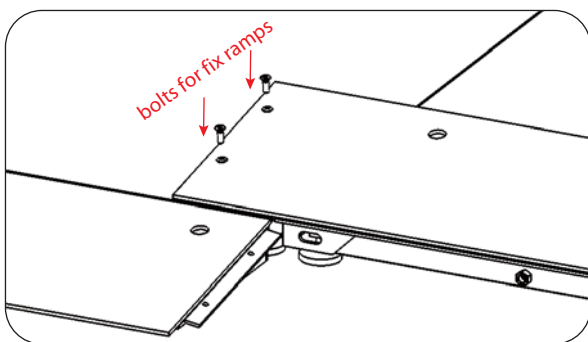
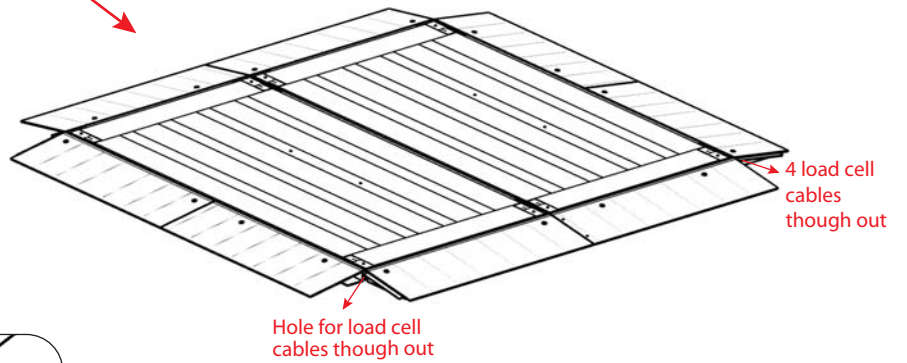
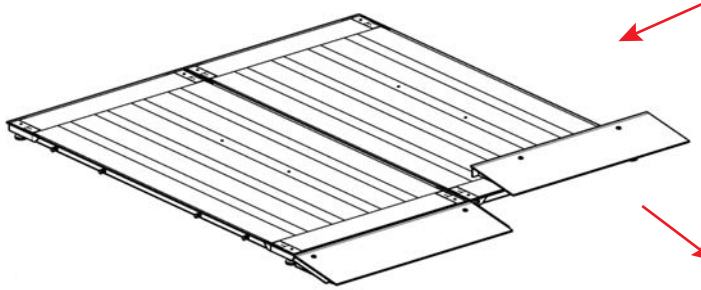
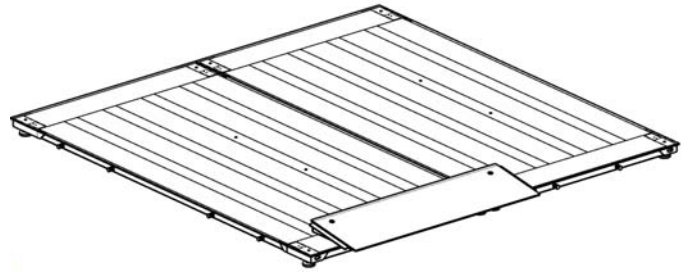


(5) Adjust eight feet height, make sure to keep two platforms on the same level .

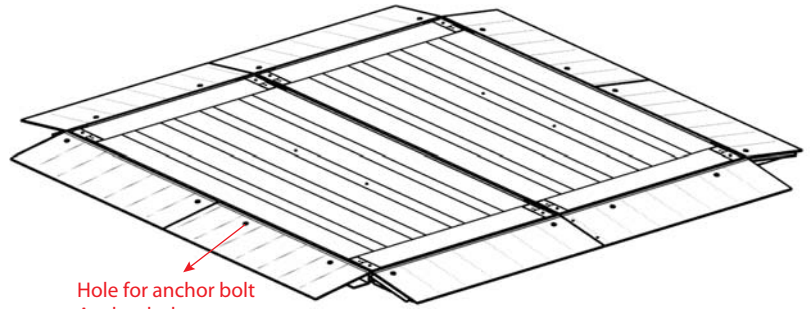


(6) Assembly ramps .

Note : Leave a space (3mm-5mm) between stopper bolt with ramps .

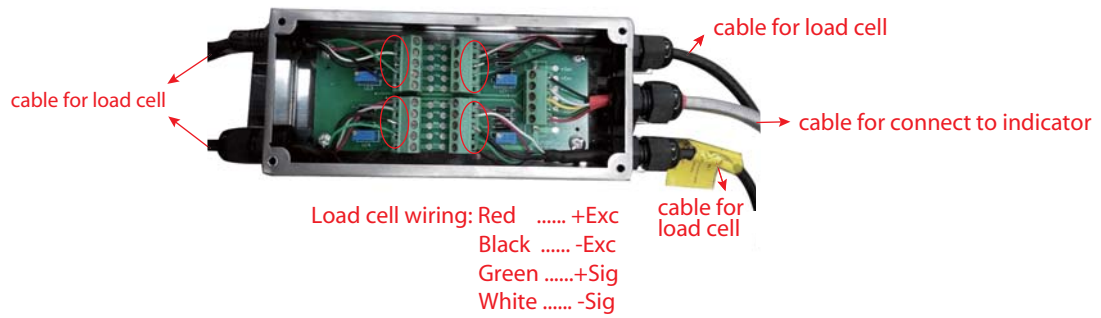
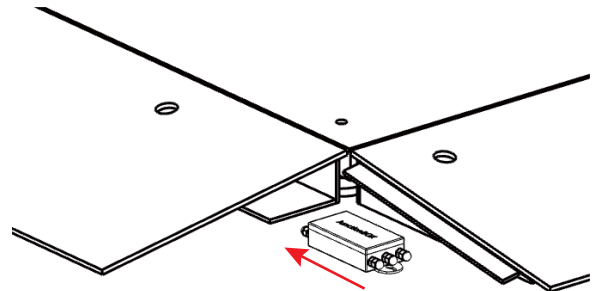


(7) Joint anchor bolts on ramps .

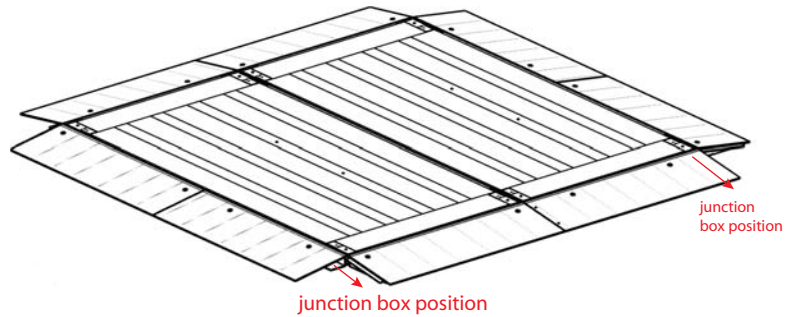


Hole for anchor bolt  
 Anchor bolts  
 Thread x length : M12 x 100 mm  
 Qty: 16 pcs

(8) Place junction box under ramp , then joint four load cell cables to junction box .

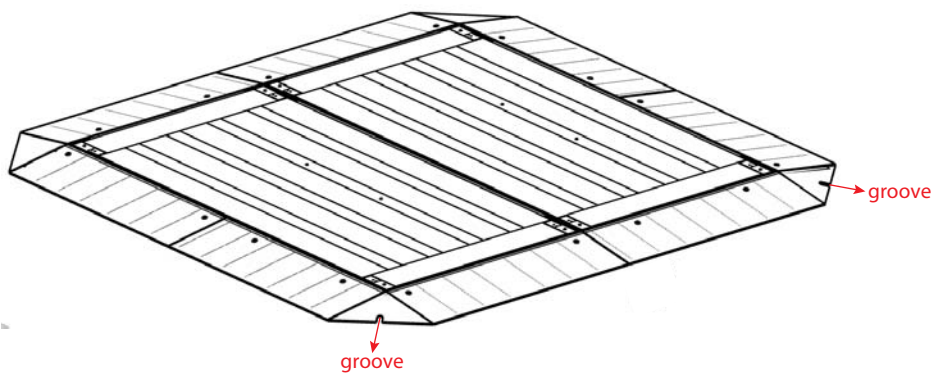
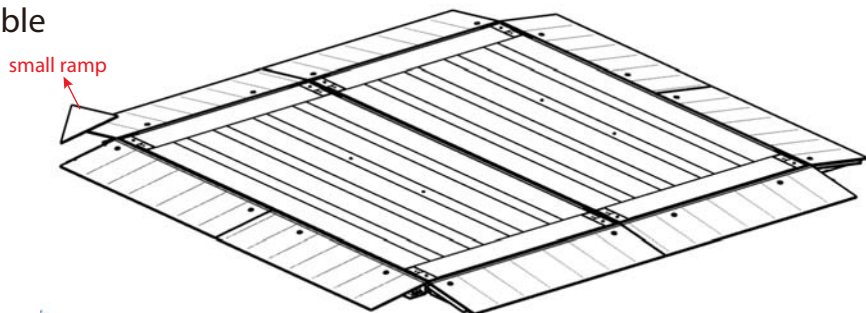


(9) Follow the same step to place the other junction box on the other side of ramp , then joint cables .



(10) Assembly four small ramps on four corners .

Note : Groove on small ramp is for cable though out .



(11) Joint two signal cables to the indicator to complete installation .

