



# TABLE OF CONTENTS

<b>Safety Precautions.....</b>	<b>1</b>
<b>Preparations and Set Up.....</b>	<b>2</b>
<b>Features.....</b>	<b>3</b>
<b>Display and Key Description.....</b>	<b>3</b>
<b>Operating Instructions.....</b>	<b>4-5</b>
<b>Troubleshooting.....</b>	<b>5</b>
<b>Weight Calibration.....</b>	<b>6</b>
<b>Specifications.....</b>	<b>7</b>
<b>Dimensions.....</b>	<b>7</b>
<b>Contact Us.....</b>	<b>7</b>







# OPERATING INSTRUCTIONS

## Powering On

- Turn on the power by pressing the [ON/OFF] button located next to the scale's screen. Once on, the scale will display the following screens



- Once the display shows "0" you have entered the weighing mode

## Zeroing

- If the screen reads any number other than 0 before weighing, press the [TARE] key to set to 0.

## Unit Selection

- There are 9 possible weighing units, they are carat (ct), ounce (oz), pound (lb), kilogram (kg), tael (tl.T) grain (GN), troy ounce (ozt), pennyweight (dwt), pieces (pcs)
- To switch between measuring units press the [UNITS] key

## Tare Function

- Put a container you wish to use on the pan, then press the [TARE] key and the display will reset back to 0
- Add your sample to the container to weigh without the weight of the container
- To exit Tare mode simply press either [TARE] or [ZERO] key

**Note:** If you remove your container the scale will show the minus weight of the container

## Counting Function

- With items of uniform weight (ie. all the pieces weigh the same) it is possible to use this counting feature to quickly and accurately obtain a piece count.
- To use this mode press the [MODE] key until the display shows "pcs"
- The display will show "10 pcs" to indicate that you should place a sample quantity of 10 pieces onto the platform.
- You may change the sample size by pressing the [CAL] key. Possible sample sizes are 10, 20, 50, 100, 150, 200, and 500



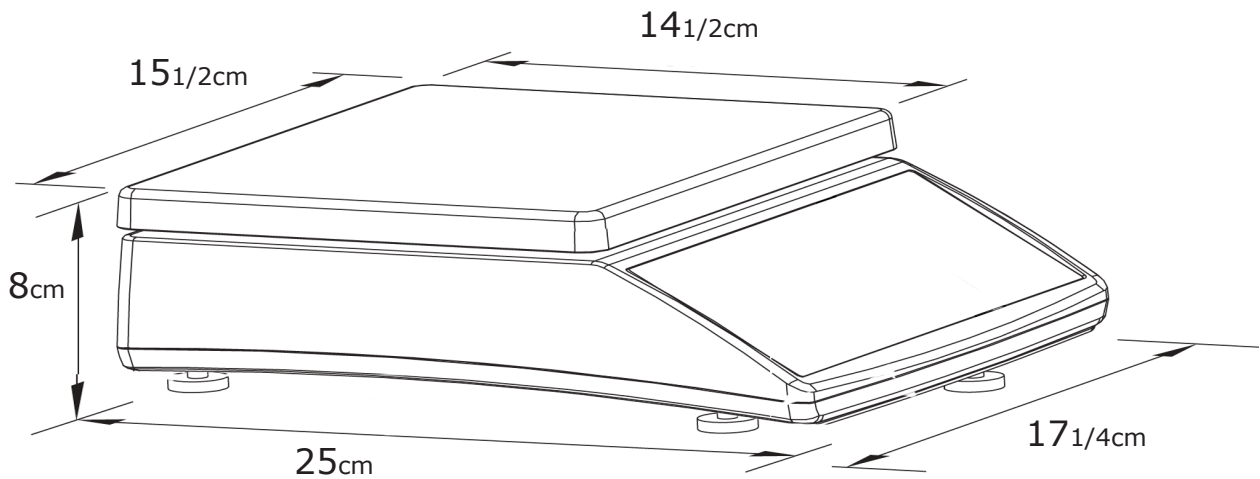




# SPECIFICATIONS

Model#	OPH-T02	OPH-T302	OPH-T502	OPH-T602	OPH-T2001	OPH-T3001	OPH-T5001	OPH-T6001
Capacity	200g	300g	500g	600g	200g	300g	500g	600g
Readability	0.01g				0.1g			
Repeatability	0.02g				0.2g			
Linearity	0.02g				0.2g			
Dimension	7" x 10" x 3" / 17 x 26 x 7cm							
Pan Size	5"/12.5cm diameter					6.25" x 5.75" / 15.5cm x 14.5cm		
Power	Input 100V-240V AC (adapter included)							
Power	Output 6vDC-9vDC/600mA							
Temperature	40°-110°F							
Weight	2 lbs (1kg) approximately							

# DIMENSIONS



# CONTACT US

Please e-mail [info@selletonscales.com](mailto:info@selletonscales.com) for any sales related question or call at 844-735-5386

Don't forget to visit our website at:

[www.selletonscales.com](http://www.selletonscales.com)