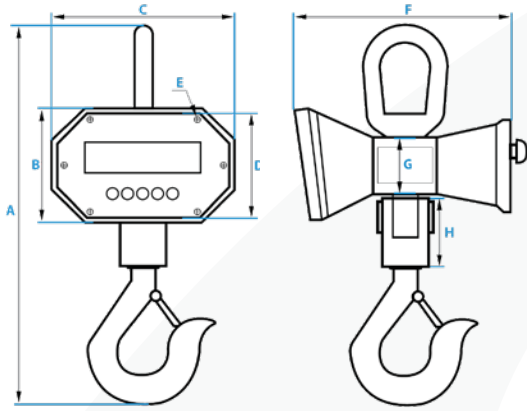


OP-925 DIAGRAM

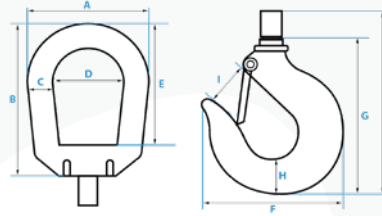


6K, 10K, 20K ▼

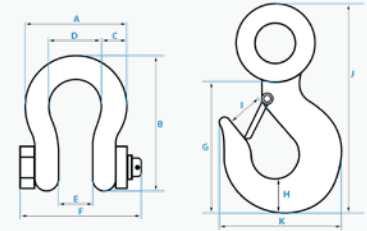


EXTERIOR DIMS. 6K, 10K, 20K			
A	B	C	D
18"; 26"; 29"	6.14"	9.83"	5.65"
E	F	G	H
0.28"	11.2"	2.97"	3.5";6.5";8.5"

Up to 10K lbs ▼

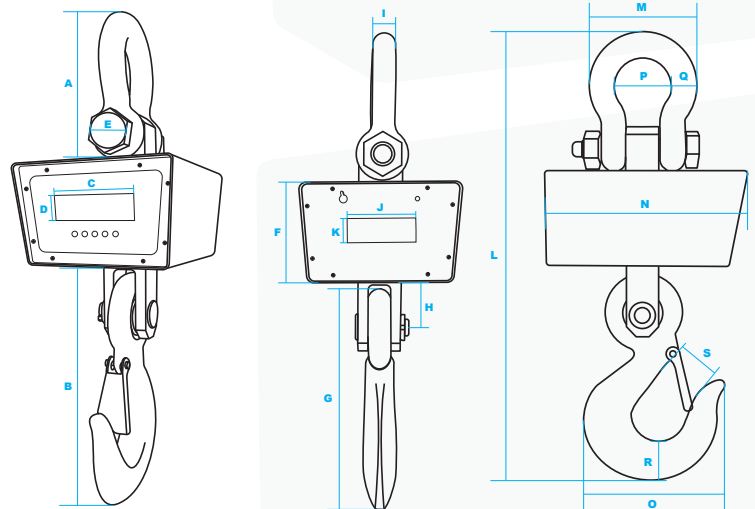


20K lbs ▼

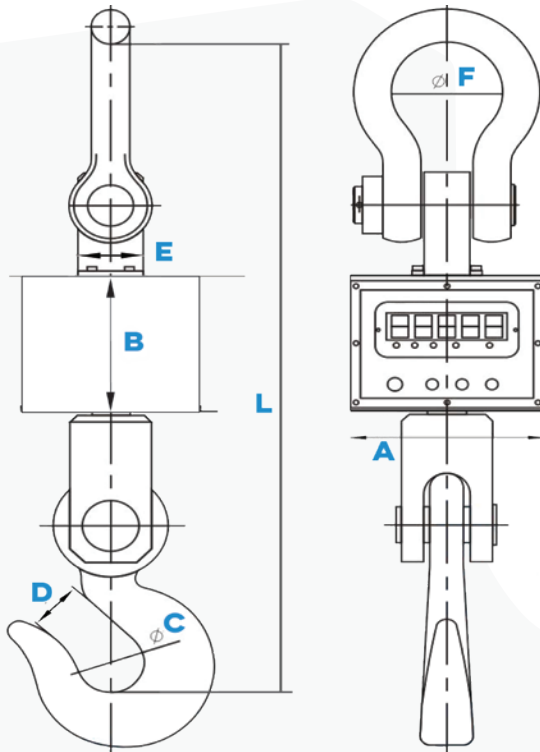


HOOK DIMENSIONS						
CAPACITY	A	B	C	D	E	F
6,000 lbs	4.52"	5.91"	0.95"	3.58"	4.72"	4.54"
10,000 lbs	5.40"	7"	1.25"	2.95"	1.92"	6.50"
20,000 lbs	6"	8"	1.40"	3.21"	2.21"	7.25"
CAPACITY	G	H	I	J	K	
6,000 lbs	5.36"	1.45"	1.45"	6.06"	•	
10,000 lbs	6.40"	1.91"	1.65"	9.50"	6"	
20,000 lbs	8.00"	2.40"	2.00"	12.20"	7.00"	

40,000 lbs ▼



60K-100K lbs ▼



40K LB CAPACITY DIMENSIONS									
A	B	C	D	E	F	G	H	I	J
5.5"	20"	6"	1.2"	2.9"	7.5"	17"	4.5"	1.95"	5"
K	L	M	N	O	P	Q	R	S	•
1.6"	40"	9.25"	15.75"	13.25"	5"	2.25"	4"	3.4"	•

60K-100K lbs ▼

60K-100K LB CAPACITY DIMENSIONS							
CAPACITY	A	B	C	D	E	F	L
60,000 lbs	9.29"	6.25"	5.11"	4.72"	8.34"	5.90"	39.05"
80,000 lbs	11.81"	8.46"	5.90"	5.11"	11.81"	8.42"	47.75"
100,000 lbs	11.81"	8.46"	5.90"	5.11"	11.81"	8.42"	47.75"

OPTIMA SCALE MANUFACTURING INC.

WEST COAST HEADQUARTERS
9030 BRIDGEPORT PL.
RANCHO CUCAMONGA, CA 91730

MIDWEST DIVISION
14310 NORTHDALÉ BLVD.
ROGERS, MN 55374

SOUTHEAST DIVISION
1005 UNION CENTER DR. STE B
ALPHARETTA, GA 30004

800.360.9619

SALES@OPTIMASCALES.COM

WWW.OPTIMASCALES.COM

