



# OP-904 PANEL MOUNT INDICATOR USER'S MANUAL



# TABLE OF CONTENTS

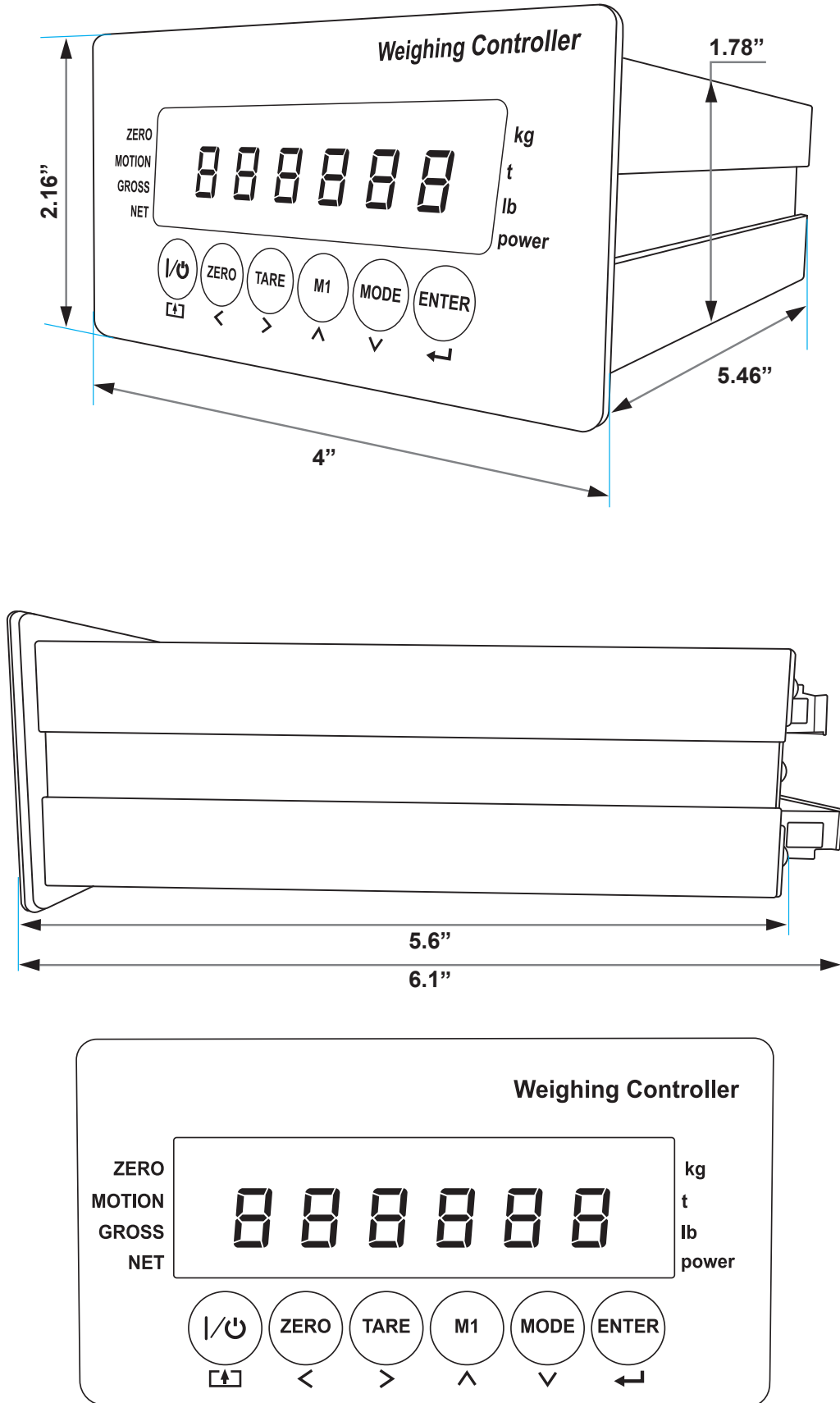
<b>Safety Precautions.....</b>	<b>1</b>
<b>Features.....</b>	<b>2</b>
<b>Specifications.....</b>	<b>3</b>
<b>Display and Key Descriptions.....</b>	<b>4</b>
<b>Operating Instructions.....</b>	<b>5</b>
<b>Rear Panel.....</b>	<b>6</b>
<b>General Functions.....</b>	<b>7</b>
<b>Function Settings.....</b>	<b>8</b>
<b>Parameter Settings.....</b>	<b>9-10</b>
<b>Calibration Settings.....</b>	<b>11-14</b>
<b>Check Weighing Configuration.....</b>	<b>15</b>
<b>Cable Connection Manual.....</b>	<b>16-18</b>
<b>Troubleshooting.....</b>	<b>19</b>
<b>Contact Us.....</b>	<b>19</b>





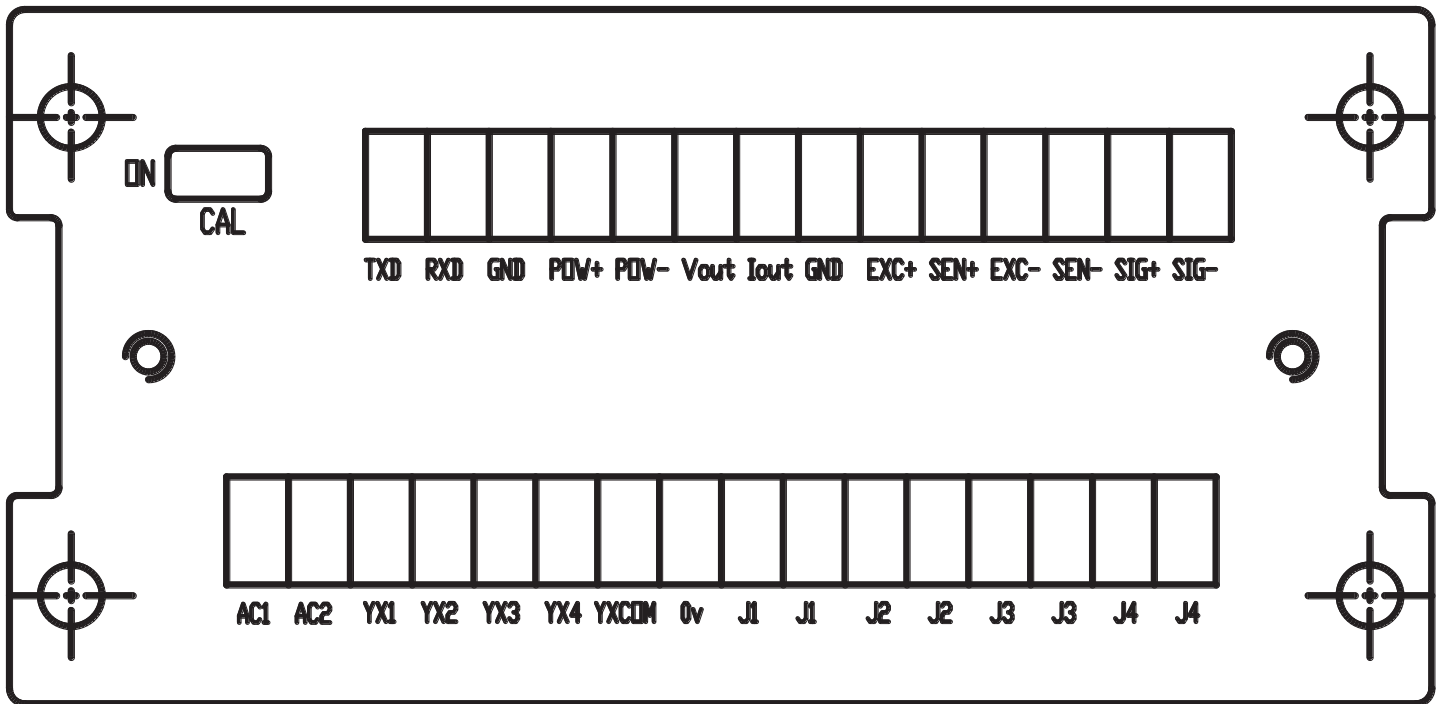
# SPECIFICATIONS

FIGURE 1: INDICATOR MEASUREMENTS









## REAR PANEL

### Connection definition:

Power: POW+ POW- for 24VDC, AC1 AC2 for 220VAC

Load cell: EXC+ SEN+ EXC- SEN- SIG+ SIG

Serial communications: TXD RXD GND for RS232, A B for RS485

Analog output: Vout Iout GND

Relay output: J1 J1 J2 J2 J3 J3 J4 J4

Input: YX1 YX2 YX3 YX4 YXCOM 0v To exit Tare mode press the TARE key again to enter gross mode and you will see the total weight of the container and the product

Note: If you remove the container the scale will show the minus weight of the container






# FUNCTION SETTINGS


Press  at the same time to enter the function settings


The screen will display "01 FnC" for function setting


Press  to display "02 232" for serial port interface

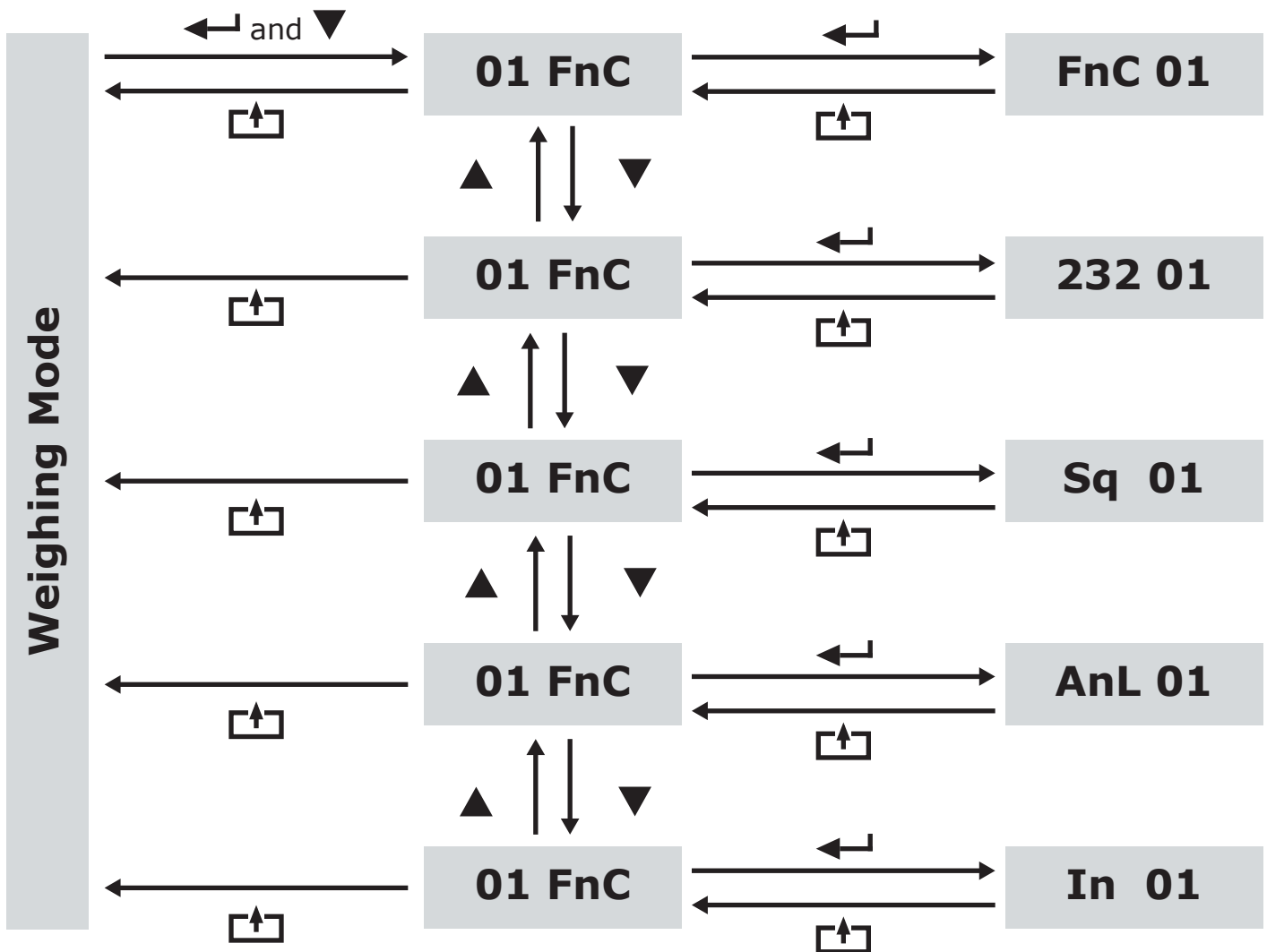
Press  to display "03 Sq " for weight comparison procedures

Press  to display "04 AnL" for analog current output

Press  to display "05 In " for external input interface

Press  to enter the next menu level

Press  to save and exit out of this menu and restart





### 03 Sq Weight Comparison Procedures

Function	Item	Parameter	Description	Default
Batching Mode	59 01	00	normal batch less-in weight comparison	01
		01		
		02		
		03		
		04		
Control Mode	59 02	01	manual start auto for custom	01
		02		
		03		
Comparison Format	59 03	01 02	net gross	01
Start Delay	59 04	00	no delay 1 sec delay ... 10 sec delay	01
		01		
		...		
		10		
Stable Time	59 05	00	no wait 1 sec wait ... 10 sec wait	03
		01		
		...		
		10		

### 04 Analog Current Output

Function	Item	Parameter	Description	Default
Signal output	AnL 01	00	4~20mA current 0~20mA current 0~5v voltage	00
		01		
		02		
Data format	AnL 02	00 01	display weight gross weight	00
Maximum weight	AnL 03	010000	when max analog output weight	010000
Zero adjust	AnL 04	4mA/0mA/0v	Press ▲ or ▼ to adjust output	4
Linearity adjust	AnL 05	20mA/5v	Press ▲ or ▼ to adjust output	20
Output range limit	AnL 06	00	no limit limit	00
		01		

### 05 External Input Interface

Function	Item	Parameter	Description	Default
INPUT1	In 01	00	no function zero	01
INPUT2				
INPUT3	In 02	02	tare gross	02
		03		
INPUT4	In 03	04	hold total	05
		05		
	In 04	06	print	06















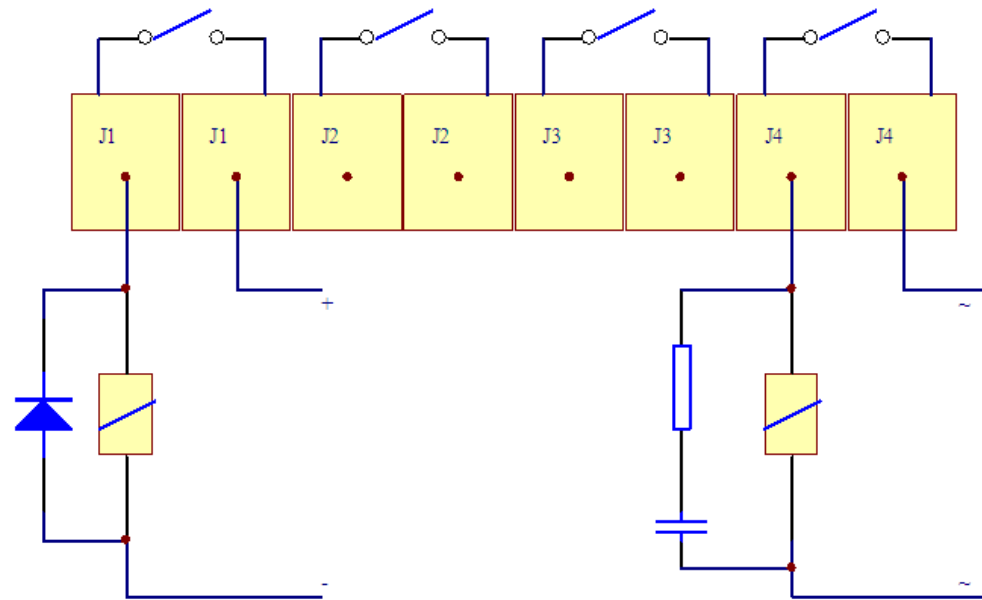
# Relay Output

J1 J1 first group relay output

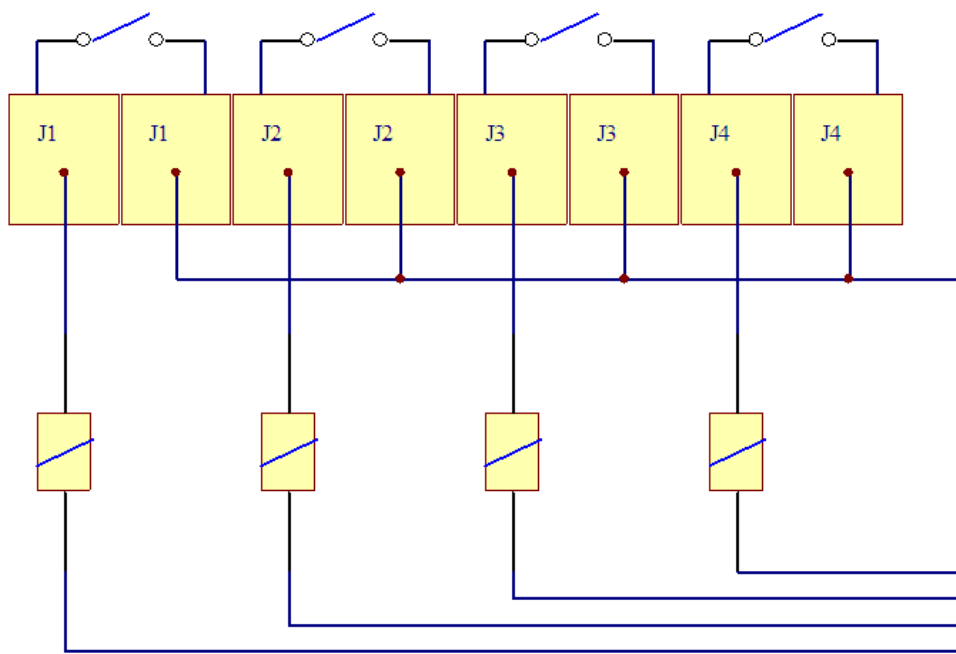
J2 J2 second group relay output

J3 J3 third group relay output

J4 J4 fourth group relay output



**Relay Output Connection diagram**



**Common connection diagram**

**Note:** Use common connection, put one of J1, J2, J3, J4 short connect.





