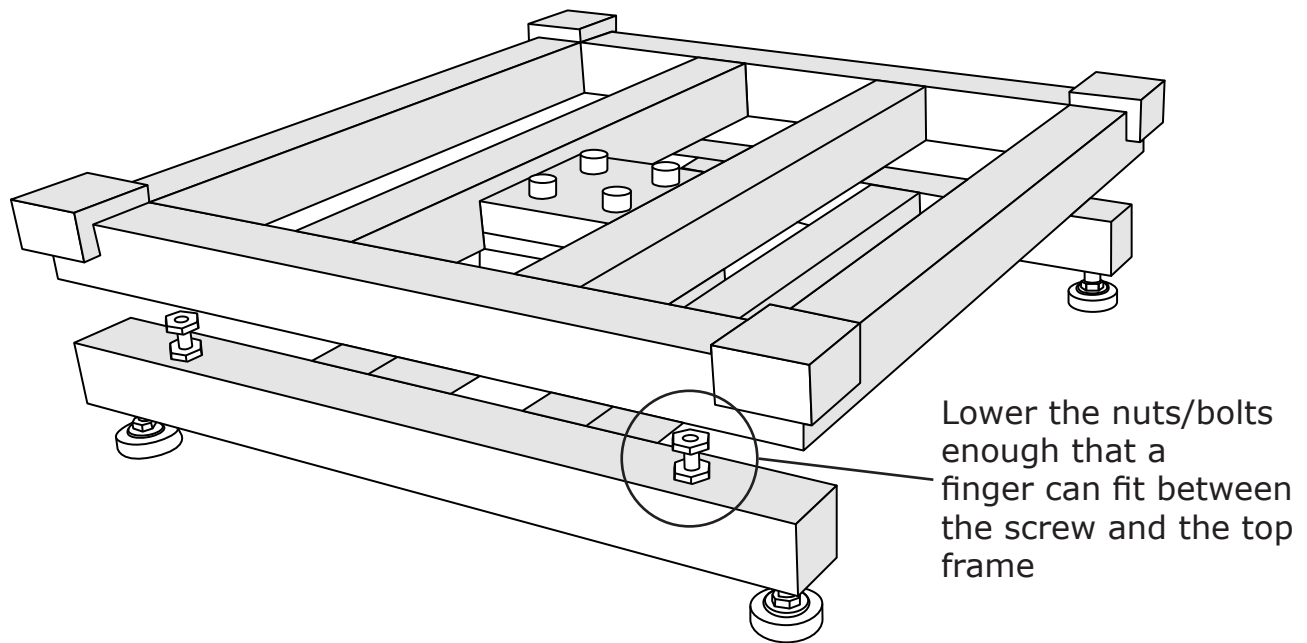


BENCH SCALE ASSEMBLY GUIDE



- 1.** Carefully open box and remove all contents
- 2.** Place bench scale frame on a flat surface
- 3.** Locate the 4 protective nuts/bolts that prevent damage during shipping (inbetween the upper and lower frames)
- 4.** Lower the screws about half way down (enough that a finger can fit between the screw and the top frame)
- 5.** Turn Platform upside down and locate plastic bag containing allen wrench
- 6.** Use the included allen wrench to remove 4 screws located on the bottom back side of the platform that hold in place the indicator column
- 7.** Align indicator column with platform and use the removed screws to attach column
- 8.** String load cell cable through the indicator column and turn platform right side up
- 9.** Remove the 4 screws located at the top of the indicator column
- 10.** Run load cell cable through the indicator bracket
- 11.** Attach indicator bracket to the column using the removed screws
- 12.** Attach indicator to the bracket using the included indicator adjustment knobs
- 13.** Attach load cell cable to indicator (by screwing in or hardwiring)
- 14.** Place stainless steel platform ontop of weighing base
- 15.** Place rubber protective mat ontop of stainless steel platform (optional)
- 16.** Plug in indicator's AC adapter
- 17.** Turn on indicator and your bench scale should be ready to start weighing
- 18.** Calibration may be needed if package was handles roughly during shipping

*Please call **(844) 735-5386** for support questions