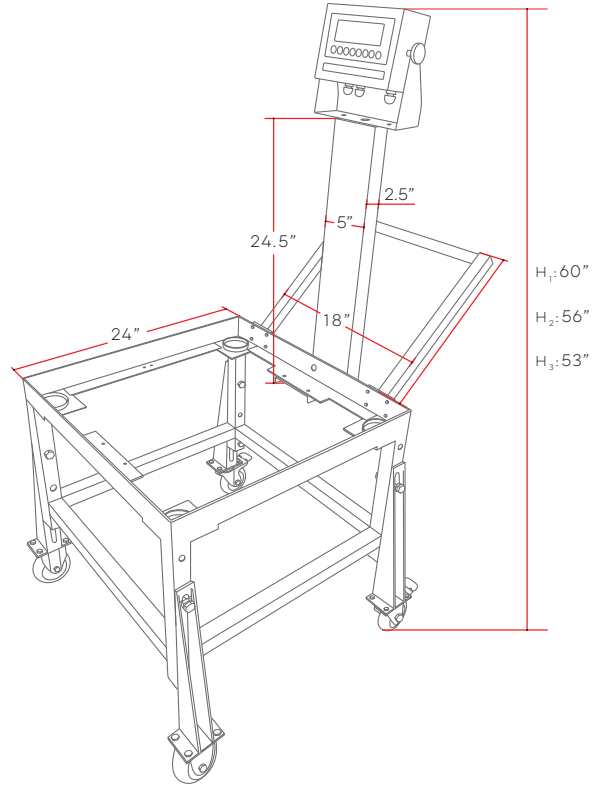


OP-916-CT BENCH SCALE CART



LIFTED HEIGHT



H₁: 60"
H₂: 56"
H₃: 53"

FEATURES

- For use with our OP-915 Bench Scale
- Stainless steel welded construction
- Ideal for use in the food or chemical industry
- Wheeled design for effortless smooth movement, easy portability and fast set up
- Locking rear casters allows for stability
- Adjustable cart legs can be raised or lowered to fit into assembly lines
- Rear handle for easy transporting
- Removable indicator stand
- Tilt-able indicator for eliminating glare
- 1,000 lb capacity



LOWERED HEIGHT

PRODUCT NO.	PLATFORM SIZE	SHIP WT.
OP-915-CT-1818	For 18" x 18" platforms	50 lbs
OP-915-CT-2424	For 24" x 24" platforms	70 lbs