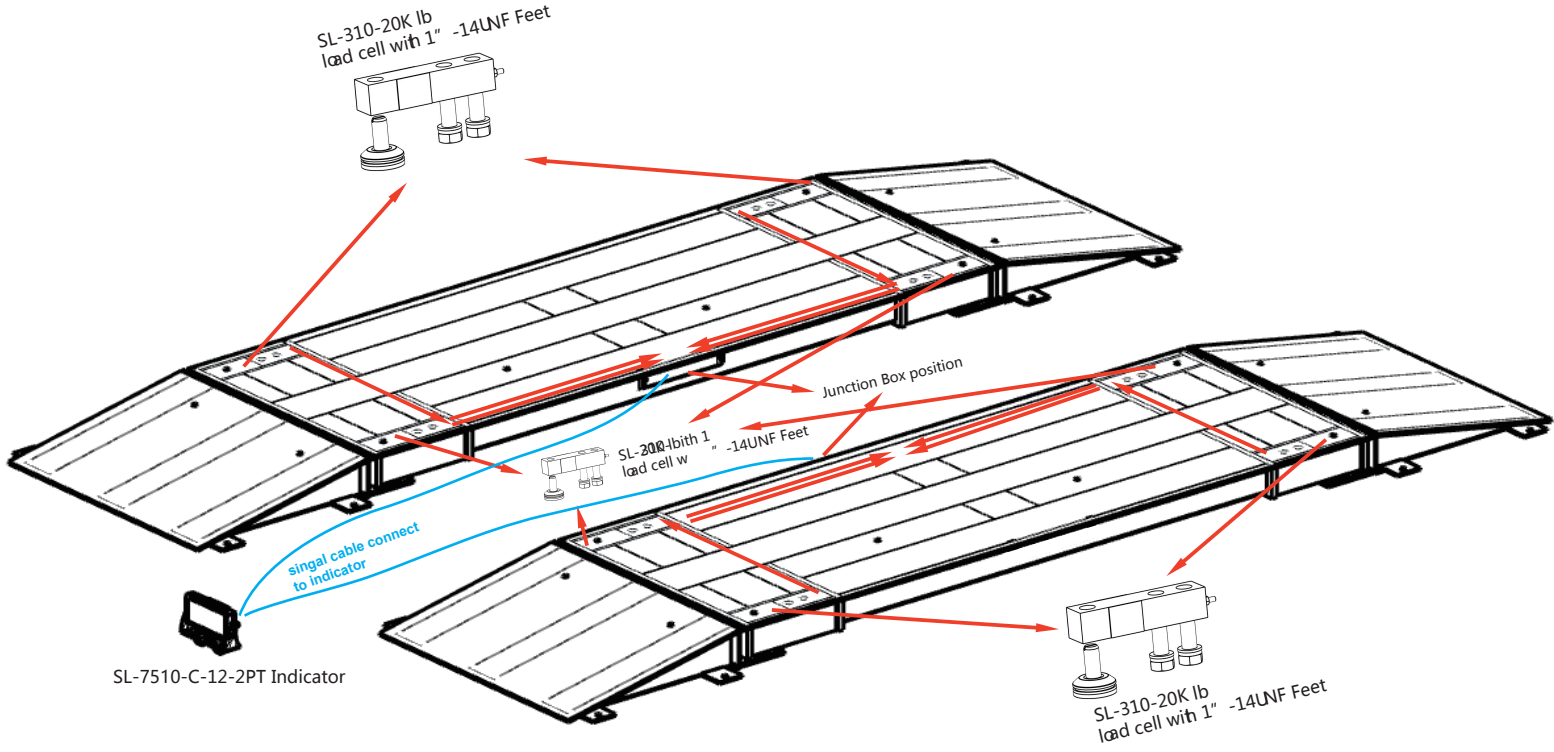
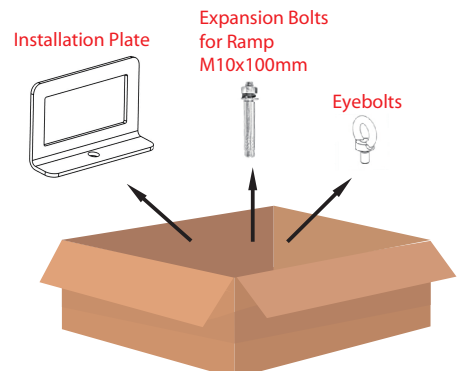
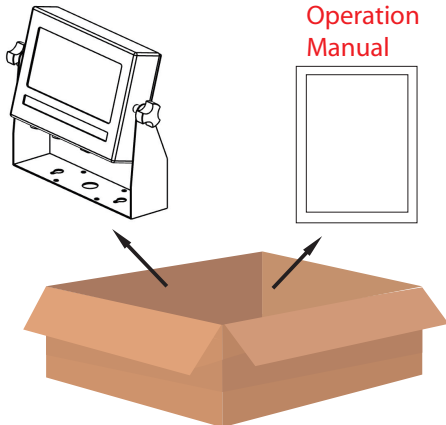


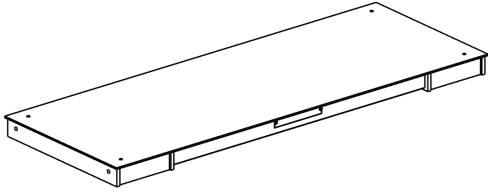
# Installation Instruction for Axle Scales



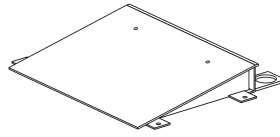
SL-7510-C-12-2PT Indicator



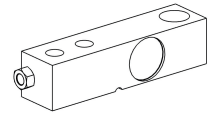
## Scale Components



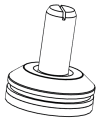
platform (total: 2pcs)



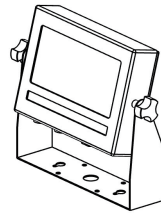
ramp A (total: 4pcs)



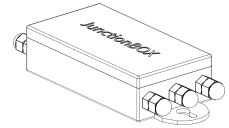
load cell (total: 8pcs)



feet (total: 8pcs)



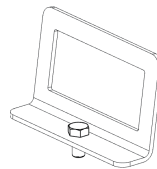
indicator (total: 1pcs)



junction box (total: 2pcs)



Single cable for indicator  
(total: 2pcs)



bending plate (total: 2pcs)

## Bolts details



bolt for load cell  
M24 x 75 mm (total: 16 pcs)



expansion bolt  
M16 x 100 mm  
(total: 28 pcs)



Limit bolt  
M20 x 70 mm  
(total: 8 pcs)

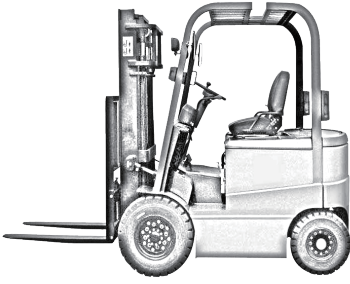


bolt for bending plate  
(total: 16 pcs)



M16 eyebolt  
(total: 2 pcs)

## Tools Required for Installation



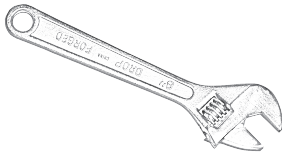
folklift



tape



churn drill



wrench



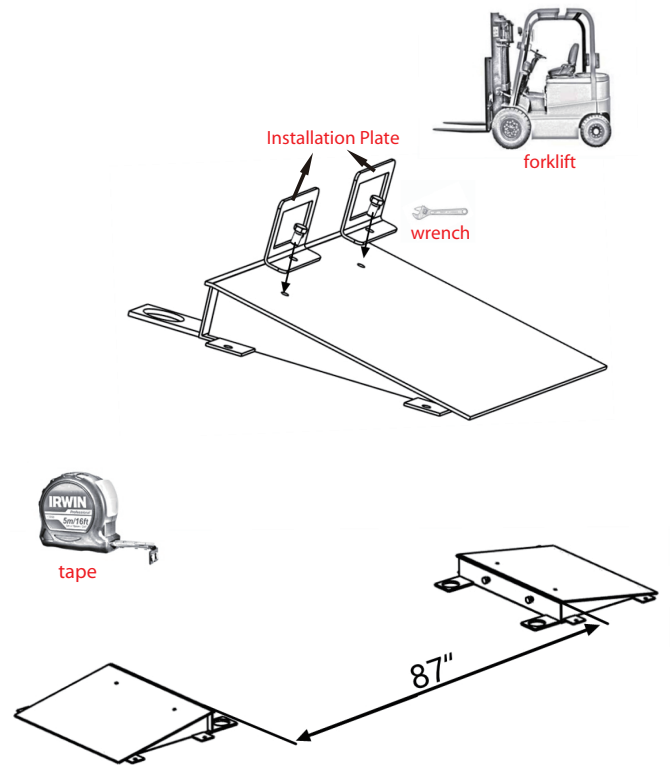
flat screwdriver



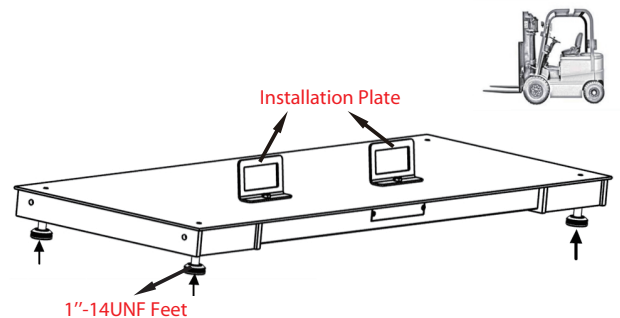
hammer

(1) Make sure the complete installation is done on a level ground .

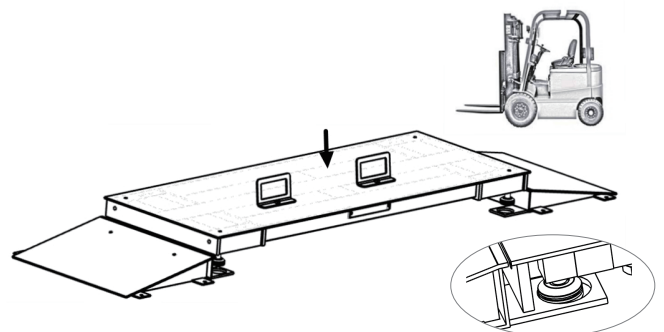
(2) Bolt the installation plate to the ramps and place the ramps 87" apart in parallel with forklift .



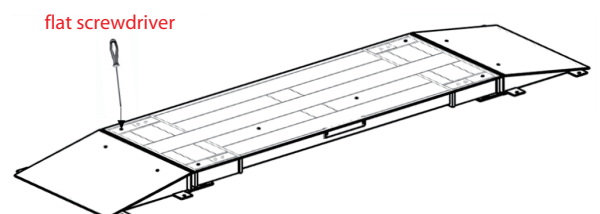
(3) Bolt the installation plates to the platform and screw the four threaded level feet into the four corners of the platform while lifting it with the forklift .



(4) Place the platform between the two ramps, making sure all the feet sit inside the rings on the ramps .



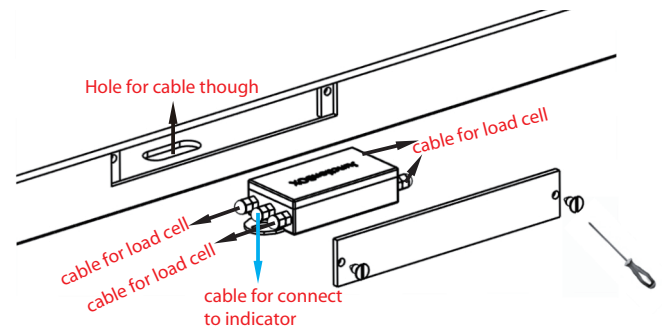
If necessary, adjust the height with a screwdriver from the top.



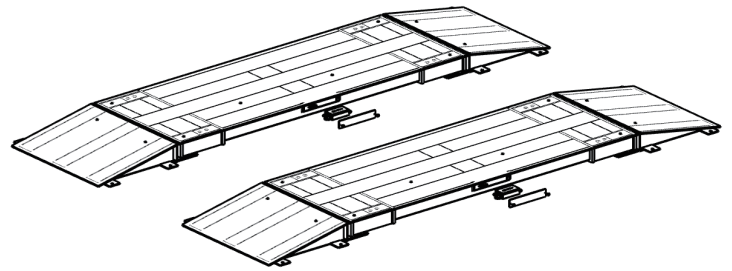
(5) Pull out the interface cable

Open the cover on the side and you will find the junction box with a 50ft long cable nested inside. Run the cable (with connector) through hole on the bottom and pull it out from underneath as long as you need .

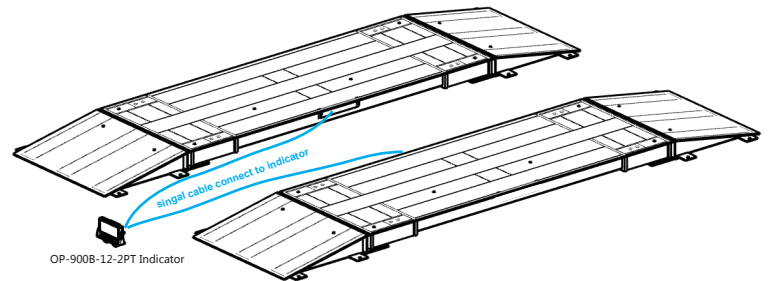
Close the cover with the original screws after this is finished .



(6) Follow the same steps to install the other set .



(7) Plug the connectors on the interface cables to the 2 ports of the indicator .



(8) For permanent use, install anchoring bolts to the ramps .

