

FEATURES

- Painted rugged diamond deck tread plate construction
- Anti-corrosion, baked on powder paint
- Channel construction for superior strength
- Painted mild steel junction box
- Four alloy steel load cells
- Load cell capacity is 2X the scale capacity for a 200% overload protection
- Four adjustable alloy steel ball capture support feet
- 15' PVC shelved cable, (upgrades are available to Stainless steel braided cables)
- Factory pre-calibrated for quick setup
- Indicator: SL-7515-C

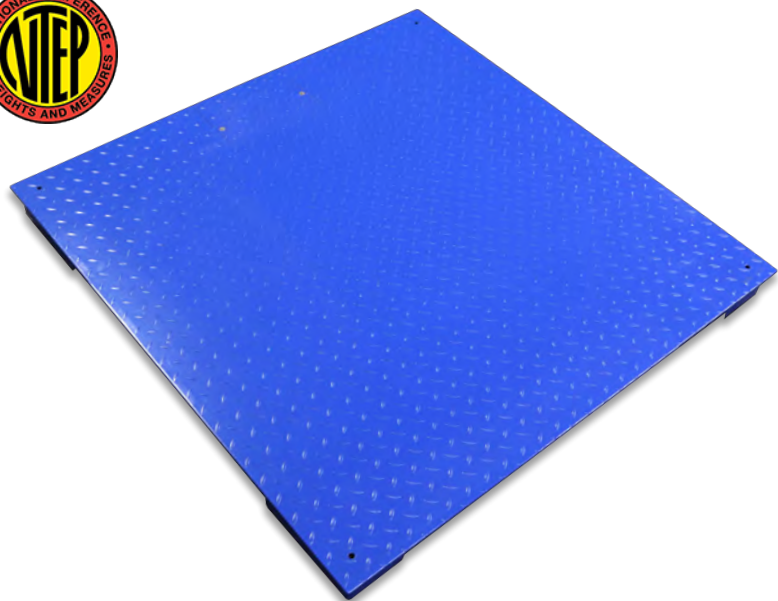
OPTIONAL ACCESSORIES

- Thermal printers
- Scoreboard (Large Display)
- Pit-frame or portability frames
- Data Collection Software
- Access Ramps
- Indicator stands
- Explosion proof upgrade
- Water-resistant upgrades
- Bumper Guards (Impact protection)
- Output systems (4-20ma or 0-5V Relay)
- Wireless (Cordless connection)

MODELS	CAPACITY in lb	ACCURACY	LOAD CELLS USED	SCALE BASE MATERIAL	NTEP	INDICATOR
SL-700-2X2-1K	1,000	.2 lb	4 (500) lb Capacity load cells	Carbon Steel	No	SL-7515-C
SL-700-2X2-2.5K	2,500	.5 lb	4 (1000 lb) Capacity load cells	Carbon Steel	No	SL-7515-C
SL-700-2X2-5K	5,000	1 lb	4 (2500 lb) Capacity load cells	Carbon Steel	No	SL-7515-C
SL-700-2X3-1K	1,000	.2 lb	4 (500) lb Capacity load cells	Carbon Steel	No	SL-7515-C
SL-700-2X3-2.5K	2,500	.5 lb	4 (1000 lb) Capacity load cells	Carbon Steel	No	SL-7515-C
SL-700-2X3-5K	5,000	1 lb	4 (2500 lb) Capacity load cells	Carbon Steel	No	SL-7515-C

MODELS	CAPACITY in lb	ACCURACY	LOAD CELLS USED	SCALE BASE MATERIAL	NTEP	INDICATOR
SL-700-3X3-1K	1,000	.2 lb	4 (500) lb Capacity load cells	Carbon Steel	No	SL-7515-C
SL-700-3X3-2.5K	2,500	.5 lb	4 (1000 lb) Capacity load cells	Carbon Steel	No	SL-7515-C
SL-700-3X3-5K	5,000	1 lb	4 (2500 lb) Capacity load cells	Carbon Steel	No	SL-7515-C
SL-700-4X4-1K	1,000	.2 lb	4 (500) lb Capacity load cells	Carbon Steel	No	SL-7515-C
SL-700-4X4-2.5K	2,500	.5 lb	4 (1000 lb) Capacity load cells	Carbon Steel	No	SL-7515-C
SL-700-4X4-5K	5,000	1 lb	4 (2500 lb) Capacity load cells	Carbon Steel	No	SL-7515-C
SL-700-4X4-10K	10,000	2 lb	4 (5000 lb) Capacity load cells	Carbon Steel	No	SL-7515-C
SL-700-4X4-20K	20,000	5 lb	4 (10,000 lb) Capacity load cells	Carbon Steel	No	SL-7515-C
SL-700-4X5-1K	1,000	.2 lb	4 (500) lb Capacity load cells	Carbon Steel	No	SL-7515-C
SL-700-4X5-2.5K	2,500	.5 lb	4 (1000 lb) Capacity load cells	Carbon Steel	No	SL-7515-C
SL-700-4X5-5K	5,000	1 lb	4 (2500 lb) Capacity load cells	Carbon Steel	No	SL-7515-C
SL-700-4X5-10K	10,000	2 lb	4 (5000 lb) Capacity load cells	Carbon Steel	No	SL-7515-C
SL-700-4X6-1K	1,000	.2 lb	4 (500) lb Capacity load cells	Carbon Steel	No	SL-7515-C
SL-700-4X6-2.5K	2,500	.5 lb	4 (1000 lb) Capacity load cells	Carbon Steel	No	SL-7515-C
SL-700-4X6-5K	5,000	1 lb	4 (2500 lb) Capacity load cells	Carbon Steel	No	SL-7515-C
SL-700-4X6-10K	10,000	2 lb	4 (5000 lb) Capacity load cells	Carbon Steel	No	SL-7515-C
SL-700-4X8-1K	1,000	.2 lb	4 (500) lb Capacity load cells	Carbon Steel	No	SL-7515-C
SL-700-4X8-2.5K	2,500	.5 lb	4 (1000 lb) Capacity load cells	Carbon Steel	No	SL-7515-C
SL-700-4X8-5K	5,000	1 lb	4 (2500 lb) Capacity load cells	Carbon Steel	No	SL-7515-C
SL-700-4X8-10K	10,000	2 lb	4 (5000 lb) Capacity load cells	Carbon Steel	No	SL-7515-C
SL-700-4X8-20K	20,000	5 lb	4 (10,000 lb) Capacity load cells	Carbon Steel	No	SL-7515-C
SL-700-5X5-1K	1,000	.2 lb	4 (500) lb Capacity load cells	Carbon Steel	No	SL-7515-C
SL-700-5X5-2.5K	2,500	.5 lb	4 (1000 lb) Capacity load cells	Carbon Steel	No	SL-7515-C
SL-700-5X5-5K	5,000	1 lb	4 (2500 lb) Capacity load cells	Carbon Steel	No	SL-7515-C
SL-700-5X5-10K	10,000	2 lb	4 (5000 lb) Capacity load cells	Carbon Steel	No	SL-7515-C
SL-700-5X5-20K	20,000	5 lb	4 (10,000 lb) Capacity load cells	Carbon Steel	No	SL-7515-C
SL-700-5X7-1K	1,000	.2 lb	4 (500) lb Capacity load cells	Carbon Steel	No	SL-7515-C
SL-700-5X7-2.5K	2,500	.5 lb	4 (1000 lb) Capacity load cells	Carbon Steel	No	SL-7515-C
SL-700-5X7-5K	5,000	1 lb	4 (2500 lb) Capacity load cells	Carbon Steel	No	SL-7515-C
SL-700-5X7-10K	10,000	2 lb	4 (5000 lb) Capacity load cells	Carbon Steel	No	SL-7515-C

MODELS	CAPACITY in lb	ACCURACY	LOAD CELLS USED	SCALE BASE MATERIAL	NTEP	INDICATOR
SL-700-5X7-20K	20,000	5 lb	4 (10,000 lb) Capacity load cells	Carbon Steel	No	SL-7515-C
SL-700-5X8-1K	1,000	.2 lb	4 (500) lb Capacity load cells	Carbon Steel	No	SL-7515-C
SL-700-5X8-2.5K	2,500	.5 lb	4 (1000 lb) Capacity load cells	Carbon Steel	No	SL-7515-C
SL-700-5X8-5K	5,000	1 lb	4 (2500 lb) Capacity load cells	Carbon Steel	No	SL-7515-C
SL-700-5X8-10K	10,000	2 lb	4 (5000 lb) Capacity load cells	Carbon Steel	No	SL-7515-C
SL-700-5X8-20K	20,000	5 lb	4 (10,000 lb) Capacity load cells	Carbon Steel	No	SL-7515-C
SL-700-6X6-1K	1000	.2 lb	4 (500) lb Capacity load cells	Carbon Steel	No	SL-7515-C
SL-700-6X6-2.5K	2500	.5 lb	4 (1000 lb) Capacity load cells	Carbon Steel	No	SL-7515-C
SL-700-6X6-5K	5000	1 lb	4 (2500 lb) Capacity load cells	Carbon Steel	No	SL-7515-C
SL-700-6X6-10K	10,000	2 lb	4 (5000 lb) Capacity load cells	Carbon Steel	No	SL-7515-C
SL-700-6X6-20K	20,000	5 lb	4 (10,000 lb) Capacity load cells	Carbon Steel	No	SL-7515-C
SL-700-7X7-1K	1,000	.2 lb	4 (500) lb Capacity load cells	Carbon Steel	No	SL-7515-C
SL-700-7X7-2.5K	2,500	.5 lb	4 (1000 lb) Capacity load cells	Carbon Steel	No	SL-7515-C
SL-700-7X7-5K	5,000	1 lb	4 (2500 lb) Capacity load cells	Carbon Steel	No	SL-7515-C
SL-700-7X7-10K	10,000	2 lb	4 (5000 lb) Capacity load cells	Carbon Steel	No	SL-7515-C
SL-700-7X7-20K	20,000	5 lb	4 (10,000 lb) Capacity load cells	Carbon Steel	No	SL-7515-C



FEATURES

- Painted rugged diamond deck tread plate construction
- Anti-corrosion, baked on powder paint
- Channel construction for superior strength
- Painted mild steel junction box
- Four NTEP certified alloy steel load cells
- Load cell capacity is 2X the scale capacity for a 200% overload protection
- Four adjustable alloy steel ball capture support feet
- 15' heavy duty stainless steel shielded cable
- Factory pre-calibrated for quick setup
- Indicator: SL-7510-E-01

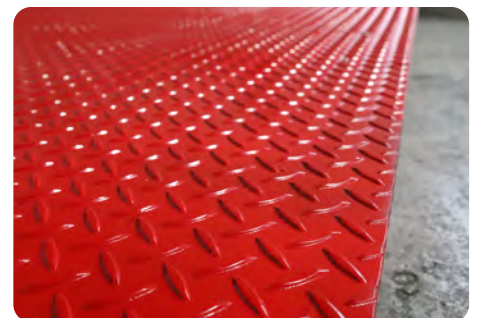
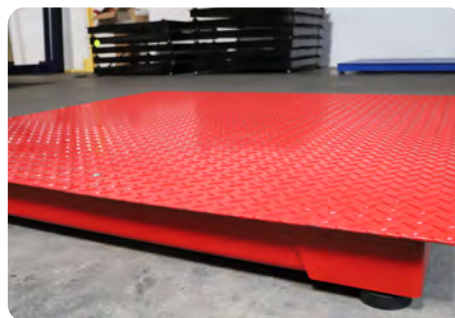
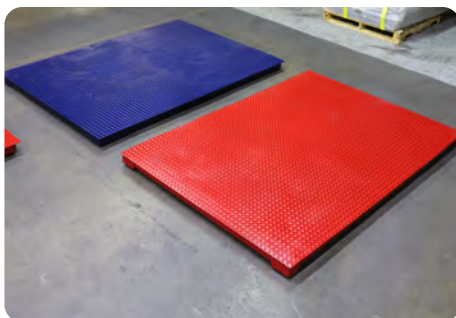
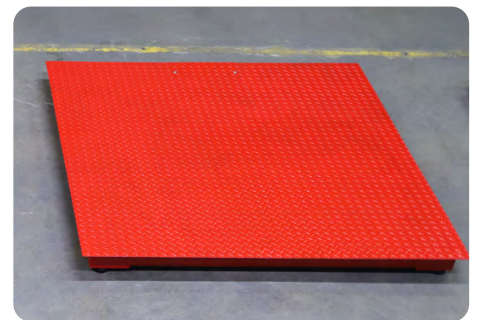
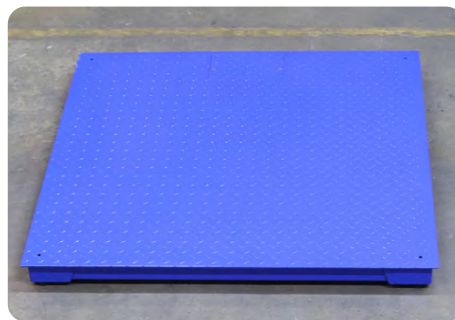
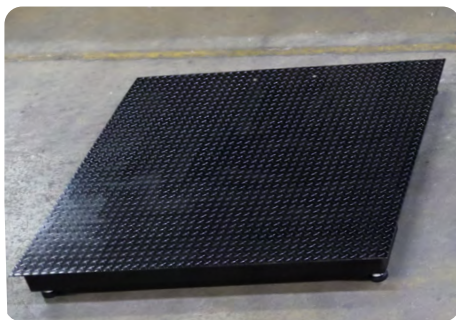
OPTIONAL ACCESSORIES

- Thermal printers
- Scoreboard (Large Display)
- Pit-frame or portability frames
- Data Collection Software
- Access Ramps
- Indicator stands
- Explosion proof upgrade
- Water-resistant upgrades
- Bumper Guards (Impact protection)
- Output systems (4-20ma or 0-5V Relay)
- Wireless (Cordless connection)

MODELS	CAPACITY in lb	ACCURACY	LOAD CELLS USED	SCALE BASE MATERIAL	NTEP	INDICATOR
SL-800-2X2-1K	1,000	.2 lb	4 (500 lb) Capacity load cells (NTEP Certified)	Carbon Steel	Yes	SL-7510-LED or LCD
SL-800-2X2-2.5K	2,500	.5 lb	4 (1000 lb) Capacity load cells (NTEP Certified)	Carbon Steel	Yes	SL-7510-LED or LCD
SL-800-2X2-5K	5,000	1 lb	4 (2500 lb) Capacity load cells (NTEP Certified)	Carbon Steel	Yes	SL-7510-LED or LCD
SL-800-2X3-1K	1,000	.2 lb	4 (500 lb) Capacity load cells (NTEP Certified)	Carbon Steel	Yes	SL-7510-LED or LCD
SL-800-2X3-2.5K	2,500	.5 lb	4 (1000 lb) Capacity load cells (NTEP Certified)	Carbon Steel	Yes	SL-7510-LED or LCD
SL-800-2X3-5K	5,000	1 lb	4 (2500 lb) Capacity load cells (NTEP Certified)	Carbon Steel	Yes	SL-7510-LED or LCD

MODELS	CAPACITY in lb	ACCURACY	LOAD CELLS USED	SCALE BASE MATERIAL	NTEP	INDICATOR
SL-800-3X3-1K	1,000	.2 lb	4 (500 lb) Capacity load cells (NTEP Certified)	Carbon Steel	Yes	SL-7510-LED or LCD
SL-800-3X3-2.5K	2,500	.5 lb	4 (1000 lb) Capacity load cells (NTEP Certified)	Carbon Steel	Yes	SL-7510-LED or LCD
SL-800-3X3-5K	5,000	1 lb	4 (2500 lb) Capacity load cells (NTEP Certified)	Carbon Steel	Yes	SL-7510-LED or LCD
SL-800-4X4-1K	1,000	.2 lb	4 (500 lb) Capacity load cells (NTEP Certified)	Carbon Steel	Yes	SL-7510-LED or LCD
SL-800-4X4-2.5K	2,500	.5 lb	4 (1000 lb) Capacity load cells (NTEP Certified)	Carbon Steel	Yes	SL-7510-LED or LCD
SL-800-4X4-5K	5,000	1 lb	4 (2500 lb) Capacity load cells (NTEP Certified)	Carbon Steel	Yes	SL-7510-LED or LCD
SL-800-4X4-10K	10,000	2 lb	4 (5000 lb) Capacity load cells (NTEP Certified)	Carbon Steel	Yes	SL-7510-LED or LCD
SL-800-4X4-20K	20,000	5 lb	4 (10,000 lb) Capacity load cells (NTEP Certified)	Carbon Steel	Yes	SL-7510-LED or LCD
SL-800-4X5-1K	1,000	.2 lb	4 (500 lb) Capacity load cells (NTEP Certified)	Carbon Steel	Yes	SL-7510-LED or LCD
SL-800-4X5-2.5K	2,500	.5 lb	4 (1000 lb) Capacity load cells (NTEP Certified)	Carbon Steel	Yes	SL-7510-LED or LCD
SL-800-4X5-5K	5,000	1 lb	4 (2500 lb) Capacity load cells (NTEP Certified)	Carbon Steel	Yes	SL-7510-LED or LCD
SL-800-4X5-10K	10,000	2 lb	4 (5000 lb) Capacity load cells (NTEP Certified)	Carbon Steel	Yes	SL-7510-LED or LCD
SL-800-4X6-1K	1,000	.2 lb	4 (500 lb) Capacity load cells (NTEP Certified)	Carbon Steel	Yes	SL-7510-LED or LCD
SL-800-4X6-2.5K	2,500	.5 lb	4 (1000 lb) Capacity load cells (NTEP Certified)	Carbon Steel	Yes	SL-7510-LED or LCD
SL-800-4X6-5K	5,000	1 lb	4 (2500 lb) Capacity load cells (NTEP Certified)	Carbon Steel	Yes	SL-7510-LED or LCD
SL-800-4X6-10K	10,000	2 lb	4 (5000 lb) Capacity load cells (NTEP Certified)	Carbon Steel	Yes	SL-7510-LED or LCD
SL-800-4X8-1K	1,000	.2 lb	4 (500 lb) Capacity load cells (NTEP Certified)	Carbon Steel	Yes	SL-7510-LED or LCD
SL-800-4X8-2.5K	2,500	.5 lb	4 (1000 lb) Capacity load cells (NTEP Certified)	Carbon Steel	Yes	SL-7510-LED or LCD
SL-800-4X8-5K	5,000	1 lb	4 (2500 lb) Capacity load cells (NTEP Certified)	Carbon Steel	Yes	SL-7510-LED or LCD
SL-800-4X8-10K	10,000	2 lb	4 (5000 lb) Capacity load cells (NTEP Certified)	Carbon Steel	Yes	SL-7510-LED or LCD
SL-800-4X8-20K	20,000	5 lb	4 (10,000 lb) Capacity load cells (NTEP Certified)	Carbon Steel	Yes	SL-7510-LED or LCD
SL-800-5X5-1K	1,000	.2 lb	4 (500 lb) Capacity load cells (NTEP Certified)	Carbon Steel	Yes	SL-7510-LED or LCD
SL-800-5X5-2.5K	2,500	.5 lb	4 (1000 lb) Capacity load cells (NTEP Certified)	Carbon Steel	Yes	SL-7510-LED or LCD
SL-800-5X5-5K	5,000	1 lb	4 (2500 lb) Capacity load cells (NTEP Certified)	Carbon Steel	Yes	SL-7510-LED or LCD
SL-800-5X5-10K	10,000	2 lb	4 (5000 lb) Capacity load cells (NTEP Certified)	Carbon Steel	Yes	SL-7510-LED or LCD
SL-800-5X5-20K	20,000	5 lb	4 (10,000 lb) Capacity load cells (NTEP Certified)	Carbon Steel	Yes	SL-7510-LED or LCD
SL-800-5X7-1K	1,000	.2 lb	4 (500 lb) Capacity load cells (NTEP Certified)	Carbon Steel	Yes	SL-7510-LED or LCD
SL-800-5X7-2.5K	2,500	.5 lb	4 (1000 lb) Capacity load cells (NTEP Certified)	Carbon Steel	Yes	SL-7510-LED or LCD
SL-800-5X7-5K	5,000	1 lb	4 (2500 lb) Capacity load cells (NTEP Certified)	Carbon Steel	Yes	SL-7510-LED or LCD
SL-800-5X7-10K	10,000	2 lb	4 (5000 lb) Capacity load cells (NTEP Certified)	Carbon Steel	Yes	SL-7510-LED or LCD

MODELS	CAPACITY in lb	ACCURACY	LOAD CELLS USED	SCALE BASE MATERIAL	NTEP	INDICATOR
SL-800-5X7-20K	20,000	5 lb	4 (10,000 lb) Capacity load cells (NTEP Certified)	Carbon Steel	Yes	SL-7510-LED or LCD
SL-800-5X8-1K	1,000	.2 lb	4 (500 lb) Capacity load cells (NTEP Certified)	Carbon Steel	Yes	SL-7510-LED or LCD
SL-800-5X8-2.5K	2,500	.5 lb	4 (1000 lb) Capacity load cells (NTEP Certified)	Carbon Steel	Yes	SL-7510-LED or LCD
SL-800-5X8-5K	5,000	1 lb	4 (2500 lb) Capacity load cells (NTEP Certified)	Carbon Steel	Yes	SL-7510-LED or LCD
SL-800-5X8-10K	10,000	2 lb	4 (5000 lb) Capacity load cells (NTEP Certified)	Carbon Steel	Yes	SL-7510-LED or LCD
SL-800-5X8-20K	20,000	5 lb	4 (10,000 lb) Capacity load cells (NTEP Certified)	Carbon Steel	Yes	SL-7510-LED or LCD
SL-800-6X6-1K	1000	.2 lb	4 (500 lb) Capacity load cells (NTEP Certified)	Carbon Steel	Yes	SL-7510-LED or LCD
SL-800-6X6-2.5K	2500	.5 lb	4 (1000 lb) Capacity load cells (NTEP Certified)	Carbon Steel	Yes	SL-7510-LED or LCD
SL-800-6X6-5K	5000	1 lb	4 (2500 lb) Capacity load cells (NTEP Certified)	Carbon Steel	Yes	SL-7510-LED or LCD
SL-800-6X6-10K	10,000	2 lb	4 (5000 lb) Capacity load cells (NTEP Certified)	Carbon Steel	Yes	SL-7510-LED or LCD
SL-800-6X6-20K	20,000	5 lb	4 (10,000 lb) Capacity load cells (NTEP Certified)	Carbon Steel	Yes	SL-7510-LED or LCD
SL-800-7X7-1K	1,000	.2 lb	4 (500 lb) Capacity load cells (NTEP Certified)	Carbon Steel	Yes	SL-7510-LED or LCD
SL-800-7X7-2.5K	2,500	.5 lb	4 (1000 lb) Capacity load cells (NTEP Certified)	Carbon Steel	Yes	SL-7510-LED or LCD
SL-800-7X7-5K	5,000	1 lb	4 (2500 lb) Capacity load cells (NTEP Certified)	Carbon Steel	Yes	SL-7510-LED or LCD
SL-800-7X7-10K	10,000	2 lb	4 (5000 lb) Capacity load cells (NTEP Certified)	Carbon Steel	Yes	SL-7510-LED or LCD
SL-800-7X7-20K	20,000	5 lb	4 (10,000 lb) Capacity load cells (NTEP Certified)	Carbon Steel	Yes	SL-7510-LED or LCD





FEATURES

- Stainless Steel fixed top smooth deck
- Anti-corrosion, Full Stainless steel structure
- Channel construction for superior strength
- Stainless steel junction box
- Four NTEP certified laser welded and sealed IP68 stainless steel load cells
- Load cell capacity is 2X the scale capacity for a 200% overload protection
- Four adjustable stainless steel ball capture support feet
- 15' heavy duty stainless steel shielded cable
- Factory pre-calibrated for quick setup

OPTIONAL ACCESSORIES

- Thermal printers
- Scoreboard (Large Display)
- Pit-frame or portability frames
- Data Collection Software
- Access Ramps
- Indicator stands
- Explosion proof upgrade
- Water-resistant upgrades
- Bumper Guards (Impact protection)
- Output systems (4-20ma or 0-5V Relay)
- Wireless (Cordless connection)

OPTIONAL INDICATOR

Stainless Steel:

- SL-7510-SS-E-12
- SL-7510-SS-C-12

Fully Washdown indicators :

- SL-7510-SL-E-13 (LED Power Supply Only) , SL-7510-SL-E-23 (LED Power Supply & Battery)
- SL-7510-SL-C-13 (LCD Power Supply Only), SL-7510-SL-C-23 (LCD Power Supply & Battery)

SMOOTH SURFACE MODEL

MODELS	CAPACITY in lb	ACCURACY	LOAD CELLS USED	SCALE BASE MATERIAL	NTEP	INDICATOR
SL-800-SS-2X2-1K	1,000	.2 lb	4 (500 lb) Capacity Stainless steel load cells	304 Stainless steel	Yes	SL-7510-LED or LCD
SL-800-SS-2X2-2.5K	2,500	.5 lb	4 (1000 lb) Capacity Stainless steel load cells	304 Stainless steel	Yes	SL-7510-LED or LCD
SL-800-SS-2X2-5K	5,000	1 lb	4 (2500 lb) Capacity Stainless steel load cells	304 Stainless steel	Yes	SL-7510-LED or LCD
SL-800-SS-2X3-1K	1,000	.2 lb	4 (500 lb) Capacity Stainless steel load cells	304 Stainless steel	Yes	SL-7510-LED or LCD
SL-800-SS-2X3-2.5K	2,500	.5 lb	4 (1000 lb) Capacity Stainless steel load cells	304 Stainless steel	Yes	SL-7510-LED or LCD
SL-800-SS-2X3-5K	5,000	1 lb	4 (2500 lb) Capacity Stainless steel load cells	304 Stainless steel	Yes	SL-7510-LED or LCD

MODELS	CAPACITY in lb	ACCURACY	LOAD CELLS USED	SCALE BASE MATERIAL	NTEP	INDICATOR
SL-800-SS-3X3-1K	1,000	.2 lb	4 (500 lb) Capacity Stainless steel load cells	304 Stainless steel	Yes	SL-7510-LED or LCD
SL-800-SS-3X3-2.5K	2,500	.5 lb	4 (1000 lb) Capacity Stainless steel load cells	304 Stainless steel	Yes	SL-7510-LED or LCD
SL-800-SS-3X3-5K	5,000	1 lb	4 (2500 lb) Capacity Stainless steel load cells	304 Stainless steel	Yes	SL-7510-LED or LCD
SL-800-SS-4X4-1K	1,000	.2 lb	4 (500 lb) Capacity Stainless steel load cells	304 Stainless steel	Yes	SL-7510-LED or LCD
SL-800-SS-4X4-2.5K	2,500	.5 lb	4 (1000 lb) Capacity Stainless steel load cells	304 Stainless steel	Yes	SL-7510-LED or LCD
SL-800-SS-4X4-5K	5,000	1 lb	4 (2500 lb) Capacity Stainless steel load cells	304 Stainless steel	Yes	SL-7510-LED or LCD
SL-800-SS-4X4-10K	10,000	2 lb	4 (5000 lb) Capacity Stainless steel load cells	304 Stainless steel	Yes	SL-7510-LED or LCD
SL-800-SS-4X5-1K	1,000	.2 lb	4 (500 lb) Capacity Stainless steel load cells	304 Stainless steel	Yes	SL-7510-LED or LCD
SL-800-SS-4X5-2.5K	2,500	.5 lb	4 (1000 lb) Capacity Stainless steel load cells	304 Stainless steel	Yes	SL-7510-LED or LCD
SL-800-SS-4X5-5K	5,000	1 lb	4 (2500 lb) Capacity Stainless steel load cells	304 Stainless steel	Yes	SL-7510-LED or LCD
SL-800-SS-4X5-10K	10,000	2 lb	4 (5000 lb) Capacity Stainless steel load cells	304 Stainless steel	Yes	SL-7510-LED or LCD
SL-800-SS-4X6-1K	1,000	.2 lb	4 (500 lb) Capacity Stainless steel load cells	304 Stainless steel	Yes	SL-7510-LED or LCD
SL-800-SS-4X6-2.5K	2,500	.5 lb	4 (1000 lb) Capacity Stainless steel load cells	304 Stainless steel	Yes	SL-7510-LED or LCD
SL-800-SS-4X6-5K	5,000	1 lb	4 (2500 lb) Capacity Stainless steel load cells	304 Stainless steel	Yes	SL-7510-LED or LCD
SL-800-SS-4X6-10K	10,000	2 lb	4 (5000 lb) Capacity Stainless steel load cells	304 Stainless steel	Yes	SL-7510-LED or LCD
SL-800-SS-4X8-1K	1,000	.2 lb	4 (500 lb) Capacity Stainless steel load cells	304 Stainless steel	Yes	SL-7510-LED or LCD
SL-800-SS-4X8-2.5K	2,500	.5 lb	4 (1000 lb) Capacity Stainless steel load cells	304 Stainless steel	Yes	SL-7510-LED or LCD
SL-800-SS-4X8-5K	5,000	1 lb	4 (2500 lb) Capacity Stainless steel load cells	304 Stainless steel	Yes	SL-7510-LED or LCD
SL-800-SS-4X8-10K	10,000	2 lb	4 (5000 lb) Capacity Stainless steel load cells	304 Stainless steel	Yes	SL-7510-LED or LCD
SL-800-SS-5X5-1K	1,000	.2 lb	4 (500 lb) Capacity Stainless steel load cells	304 Stainless steel	Yes	SL-7510-LED or LCD
SL-800-SS-5X5-2.5K	2,500	.5 lb	4 (1000 lb) Capacity Stainless steel load cells	304 Stainless steel	Yes	SL-7510-LED or LCD
SL-800-SS-5X5-5K	5,000	1 lb	4 (2500 lb) Capacity Stainless steel load cells	304 Stainless steel	Yes	SL-7510-LED or LCD
SL-800-SS-5X5-10K	10,000	2 lb	4 (5000 lb) Capacity Stainless steel load cells	304 Stainless steel	Yes	SL-7510-LED or LCD
SL-800-SS-5X7-1K	1,000	.2 lb	4 (500 lb) Capacity Stainless steel load cells	304 Stainless steel	Yes	SL-7510-LED or LCD
SL-800-SS-5X7-2.5K	2,500	.5 lb	4 (1000 lb) Capacity Stainless steel load cells	304 Stainless steel	Yes	SL-7510-LED or LCD
SL-800-SS-5X7-5K	5,000	1 lb	4 (2500 lb) Capacity Stainless steel load cells	304 Stainless steel	Yes	SL-7510-LED or LCD
SL-800-SS-5X7-10K	10,000	2 lb	4 (5000 lb) Capacity Stainless steel load cells	304 Stainless steel	Yes	SL-7510-LED or LCD
SL-800-SS-5X8-1K	1,000	.2 lb	4 (500 lb) Capacity Stainless steel load cells	304 Stainless steel	Yes	SL-7510-LED or LCD
SL-800-SS-5X8-2.5K	2,500	.5 lb	4 (1000 lb) Capacity Stainless steel load cells	304 Stainless steel	Yes	SL-7510-LED or LCD
SL-800-SS-5X8-5K	5,000	1 lb	4 (2500 lb) Capacity Stainless steel load cells	304 Stainless steel	Yes	SL-7510-LED or LCD

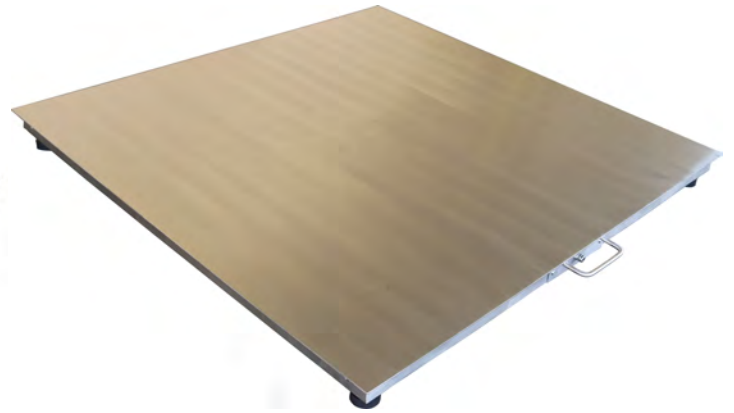
MODELS	CAPACITY in lb	ACCURACY	LOAD CELLS USED	SCALE BASE MATERIAL	NTEP	INDICATOR
SL-800-SS-5X8-10K	10,000	2 lb	4 (5000 lb) Capacity Stainless steel load cells	304 Stainless steel	Yes	SL-7510-LED or LCD
SL-800-SS-6X6-1K	1,000	.2 lb	4 (500 lb) Capacity Stainless steel load cells	304 Stainless steel	Yes	SL-7510-LED or LCD
SL-800-SS-6X6-2.5K	2,500	.5 lb	4 (1000 lb) Capacity Stainless steel load cells	304 Stainless steel	Yes	SL-7510-LED or LCD
SL-800-SS-6X6-5K	5,000	1 lb	4 (2500 lb) Capacity Stainless steel load cells	304 Stainless steel	Yes	SL-7510-LED or LCD
SL-800-SS-6X6-10K	10,000	5 lb	4 (5000 lb) Capacity Stainless steel load cells	304 Stainless steel	Yes	SL-7510-LED or LCD
SL-800-SS-7X7-1K	1,000	.2 lb	4 (500 lb) Capacity Stainless steel load cells	304 Stainless steel	Yes	SL-7510-LED or LCD
SL-800-SS-7X7-2.5K	2,500	.5 lb	4 (1000 lb) Capacity Stainless steel load cells	304 Stainless steel	Yes	SL-7510-LED or LCD
SL-800-SS-7X7-5K	5,000	1 lb	4 (2500 lb) Capacity Stainless steel load cells	304 Stainless steel	Yes	SL-7510-LED or LCD
SL-800-SS-7X7-10K	10,000	2 lb	4 (5000 lb) Capacity Stainless steel load cells	304 Stainless steel	Yes	SL-7510-LED or LCD

DIAMOND PLATE SURFACE MODEL

MODELS	CAPACITY in lb	ACCURACY	LOAD CELLS USED	SCALE BASE MATERIAL	NTEP	INDICATOR
SL-800-SS-DP-2X2-1K	1,000	.2 lb	4 (500 lb) Capacity Stainless steel load cells	304 Stainless steel	Yes	SL-7510-LED or LCD
SL-800-SS-DP-2X2-2.5K	2,500	.5 lb	4 (1000 lb) Capacity Stainless steel load cells	304 Stainless steel	Yes	SL-7510-LED or LCD
SL-800-SS-DP-2X2-5K	5,000	1 lb	4 (2500 lb) Capacity Stainless steel load cells	304 Stainless steel	Yes	SL-7510-LED or LCD
SL-800-SS-DP-2X3-1K	1,000	.2 lb	4 (500 lb) Capacity Stainless steel load cells	304 Stainless steel	Yes	SL-7510-LED or LCD
SL-800-SS-DP-2X3-2.5K	2,500	.5 lb	4 (1000 lb) Capacity Stainless steel load cells	304 Stainless steel	Yes	SL-7510-LED or LCD
SL-800-SS-DP-2X3-5K	5,000	1 lb	4 (2500 lb) Capacity Stainless steel load cells	304 Stainless steel	Yes	SL-7510-LED or LCD
SL-800-SS-DP-3X3-1K	1,000	.2 lb	4 (500 lb) Capacity Stainless steel load cells	304 Stainless steel	Yes	SL-7510-LED or LCD
SL-800-SS-DP-3X3-2.5K	2,500	.5 lb	4 (1000 lb) Capacity Stainless steel load cells	304 Stainless steel	Yes	SL-7510-LED or LCD
SL-800-SS-DP-3X3-5K	5,000	1 lb	4 (2500 lb) Capacity Stainless steel load cells	304 Stainless steel	Yes	SL-7510-LED or LCD
SL-800-SS-DP-4X4-1K	1,000	.2 lb	4 (500 lb) Capacity Stainless steel load cells	304 Stainless steel	Yes	SL-7510-LED or LCD
SL-800-SS-DP-4X4-2.5K	2,500	.5 lb	4 (1000 lb) Capacity Stainless steel load cells	304 Stainless steel	Yes	SL-7510-LED or LCD
SL-800-SS-DP-4X4-5K	5,000	1 lb	4 (2500 lb) Capacity Stainless steel load cells	304 Stainless steel	Yes	SL-7510-LED or LCD
SL-800-SS-DP-4X4-10K	10,000	2 lb	4 (5000 lb) Capacity Stainless steel load cells	304 Stainless steel	Yes	SL-7510-LED or LCD
SL-800-SS-DP-4X5-1K	1,000	.2 lb	4 (500 lb) Capacity Stainless steel load cells	304 Stainless steel	Yes	SL-7510-LED or LCD
SL-800-SS-DP-4X5-2.5K	2,500	.5 lb	4 (1000 lb) Capacity Stainless steel load cells	304 Stainless steel	Yes	SL-7510-LED or LCD
SL-800-SS-DP-4X5-5K	5,000	1 lb	4 (2500 lb) Capacity Stainless steel load cells	304 Stainless steel	Yes	SL-7510-LED or LCD

NTEP STAINLESS STEEL FIX TOP FLOOR SCALES

MODELS	CAPACITY in lb	ACCURACY	LOAD CELLS USED	SCALE BASE MATERIAL	NTEP	INDICATOR
SL-800-SS-DP-4X5-10K	10,000	2 lb	4 (5000 lb) Capacity Stainless steel load cells	304 Stainless steel	Yes	SL-7510-LED or LCD
SL-800-SS-DP-4X6-1K	1,000	.2 lb	4 (500 lb) Capacity Stainless steel load cells	304 Stainless steel	Yes	SL-7510-LED or LCD
SL-800-SS-DP-4X6-2.5K	2,500	.5 lb	4 (1000 lb) Capacity Stainless steel load cells	304 Stainless steel	Yes	SL-7510-LED or LCD
SL-800-SS-DP-4X6-5K	5,000	1 lb	4 (2500 lb) Capacity Stainless steel load cells	304 Stainless steel	Yes	SL-7510-LED or LCD
SL-800-SS-DP-4X6-10K	10,000	2 lb	4 (5000 lb) Capacity Stainless steel load cells	304 Stainless steel	Yes	SL-7510-LED or LCD
SL-800-SS-DP-4X8-1K	1,000	.2 lb	4 (500 lb) Capacity Stainless steel load cells	304 Stainless steel	Yes	SL-7510-LED or LCD
SL-800-SS-DP-4X8-2.5K	2,500	.5 lb	4 (1000 lb) Capacity Stainless steel load cells	304 Stainless steel	Yes	SL-7510-LED or LCD
SL-800-SS-DP-4X8-5K	5,000	1 lb	4 (2500 lb) Capacity Stainless steel load cells	304 Stainless steel	Yes	SL-7510-LED or LCD
SL-800-SS-DP-4X8-10K	10,000	2 lb	4 (5000 lb) Capacity Stainless steel load cells	304 Stainless steel	Yes	SL-7510-LED or LCD
SL-800-SS-DP-5X5-1K	1,000	.2 lb	4 (500 lb) Capacity Stainless steel load cells	304 Stainless steel	Yes	SL-7510-LED or LCD
SL-800-SS-DP-5X5-2.5K	2,500	.5 lb	4 (1000 lb) Capacity Stainless steel load cells	304 Stainless steel	Yes	SL-7510-LED or LCD
SL-800-SS-DP-5X5-5K	5,000	1 lb	4 (2500 lb) Capacity Stainless steel load cells	304 Stainless steel	Yes	SL-7510-LED or LCD
SL-800-SS-DP-5X5-10K	10,000	2 lb	4 (5000 lb) Capacity Stainless steel load cells	304 Stainless steel	Yes	SL-7510-LED or LCD
SL-800-SS-DP-5X7-1K	1,000	.2 lb	4 (500 lb) Capacity Stainless steel load cells	304 Stainless steel	Yes	SL-7510-LED or LCD
SL-800-SS-DP-5X7-2.5K	2,500	.5 lb	4 (1000 lb) Capacity Stainless steel load cells	304 Stainless steel	Yes	SL-7510-LED or LCD
SL-800-SS-DP-5X7-5K	5,000	1 lb	4 (2500 lb) Capacity Stainless steel load cells	304 Stainless steel	Yes	SL-7510-LED or LCD
SL-800-SS-DP-5X7-10K	10,000	2 lb	4 (5000 lb) Capacity Stainless steel load cells	304 Stainless steel	Yes	SL-7510-LED or LCD
SL-800-SS-DP-5X8-1K	1,000	.2 lb	4 (500 lb) Capacity Stainless steel load cells	304 Stainless steel	Yes	SL-7510-LED or LCD
SL-800-SS-DP-5X8-2.5K	2,500	.5 lb	4 (1000 lb) Capacity Stainless steel load cells	304 Stainless steel	Yes	SL-7510-LED or LCD
SL-800-SS-DP-5X8-5K	5,000	1 lb	4 (2500 lb) Capacity Stainless steel load cells	304 Stainless steel	Yes	SL-7510-LED or LCD
SL-800-SS-DP-5X8-10K	10,000	2 lb	4 (5000 lb) Capacity Stainless steel load cells	304 Stainless steel	Yes	SL-7510-LED or LCD
SL-800-SS-DP-6X6-1K	1,000	.2 lb	4 (500 lb) Capacity Stainless steel load cells	304 Stainless steel	Yes	SL-7510-LED or LCD
SL-800-SS-DP-6X6-2.5K	2,500	.5 lb	4 (1000 lb) Capacity Stainless steel load cells	304 Stainless steel	Yes	SL-7510-LED or LCD
SL-800-SS-DP-6X6-5K	5,000	1 lb	4 (2500 lb) Capacity Stainless steel load cells	304 Stainless steel	Yes	SL-7510-LED or LCD
SL-800-SS-DP-6X6-10K	10,000	5 lb	4 (5000 lb) Capacity Stainless steel load cells	304 Stainless steel	Yes	SL-7510-LED or LCD
SL-800-SS-DP-7X7-1K	1,000	.2 lb	4 (500 lb) Capacity Stainless steel load cells	304 Stainless steel	Yes	SL-7510-LED or LCD
SL-800-SS-DP-7X7-2.5K	2,500	.5 lb	4 (1000 lb) Capacity Stainless steel load cells	304 Stainless steel	Yes	SL-7510-LED or LCD
SL-800-SS-DP-7X7-5K	5,000	1 lb	4 (2500 lb) Capacity Stainless steel load cells	304 Stainless steel	Yes	SL-7510-LED or LCD
SL-800-SS-DP-7X7-10K	10,000	2 lb	4 (5000 lb) Capacity Stainless steel load cells	304 Stainless steel	Yes	SL-7510-LED or LCD



FEATURES

- Hydraulic manual top lifts for easy washdown
- 304 stainless steel construction with safety diamond tread plate deck
- Stainless steel single lift or double lift doors available.
- NEMA 4X watertight stainless steel junction box
- Side access to junction box to minimize water access
- Four NTEP certified laser welded and sealed IP68 stainless steel load cells
- Load cell capacity is 2X the scale capacity for a 200% overload protection
- Four adjustable stainless steel ball capture support feet
- 15' heavy duty stainless steel shielded cable
- Factory pre-calibrated for quick setup

OPTIONAL ACCESSORIES

- Thermal printers
- Scoreboard (Large Display)
- Pit-frame or portability frames
- Data Collection Software
- Access Ramps
- Indicator stands
- Explosion proof upgrade
- Water-resistant upgrades
- Bumper Guards (Impact protection)
- Output systems (4-20ma or 0-5V Relay)
- Wireless (Cordless connection)

SMOOTH SURFACE MODEL

MODELS	CAPACITY in lb	ACCURACY	LOAD CELLS USED	SCALE BASE MATERIAL	NTEP	INDICATOR
SL-800-SS-LT-3X3-1K	1,000	.2 lb	4 (500 lb) Capacity Stainless steel load cells	304 Stainless steel	Yes	SL-7510-LED or LCD
SL-800-SS-LT-3X3-2.5K	2,500	.5 lb	4 (1000 lb) Capacity Stainless steel load cells	304 Stainless steel	Yes	SL-7510-LED or LCD
SL-800-SS-LT-3X3-5K	5,000	1 lb	4 (2500 lb) Capacity Stainless steel load cells	304 Stainless steel	Yes	SL-7510-LED or LCD
SL-800-SS-LT-4X4-1K	1,000	.2 lb	4 (500 lb) Capacity Stainless steel load cells	304 Stainless steel	Yes	SL-7510-LED or LCD
SL-800-SS-LT-4X4-2.5K	2,500	.5 lb	4 (1000 lb) Capacity Stainless steel load cells	304 Stainless steel	Yes	SL-7510-LED or LCD
SL-800-SS-LT-4X4-5K	5,000	1 lb	4 (2500 lb) Capacity Stainless steel load cells	304 Stainless steel	Yes	SL-7510-LED or LCD

MODELS	CAPACITY in lb	ACCURACY	LOAD CELLS USED	SCALE BASE MATERIAL	NTEP	INDICATOR
SL-800-SS-LT-4X4-10K	10,000	2 lb	4 (5000 lb) Capacity Stainless steel load cells	304 Stainless steel	Yes	SL-7510-LED or LCD
SL-800-SS-LT-4X5-1K	1,000	.2 lb	4 (500 lb) Capacity Stainless steel load cells	304 Stainless steel	Yes	SL-7510-LED or LCD
SL-800-SS-LT-4X5-2.5K	2,500	.5 lb	4 (1000 lb) Capacity Stainless steel load cells	304 Stainless steel	Yes	SL-7510-LED or LCD
SL-800-SS-LT-4X5-5K	5,000	1 lb	4 (2500 lb) Capacity Stainless steel load cells	304 Stainless steel	Yes	SL-7510-LED or LCD
SL-800-SS-LT-4X5-10K	10,000	2 lb	4 (5000 lb) Capacity Stainless steel load cells	304 Stainless steel	Yes	SL-7510-LED or LCD
SL-800-SS-LT-4X6-1K	1,000	.2 lb	4 (500 lb) Capacity Stainless steel load cells	304 Stainless steel	Yes	SL-7510-LED or LCD
SL-800-SS-LT-4X6-2.5K	2,500	.5 lb	4 (1000 lb) Capacity Stainless steel load cells	304 Stainless steel	Yes	SL-7510-LED or LCD
SL-800-SS-LT-4X6-5K	5,000	1 lb	4 (2500 lb) Capacity Stainless steel load cells	304 Stainless steel	Yes	SL-7510-LED or LCD
SL-800-SS-LT-4X6-10K	10,000	2 lb	4 (5000 lb) Capacity Stainless steel load cells	304 Stainless steel	Yes	SL-7510-LED or LCD
SL-800-SS-LT-4X8-1K	1,000	.2 lb	4 (500 lb) Capacity Stainless steel load cells	304 Stainless steel	Yes	SL-7510-LED or LCD
SL-800-SS-LT-4X8-2.5K	2,500	.5 lb	4 (1000 lb) Capacity Stainless steel load cells	304 Stainless steel	Yes	SL-7510-LED or LCD
SL-800-SS-LT-4X8-5K	5,000	1 lb	4 (2500 lb) Capacity Stainless steel load cells	304 Stainless steel	Yes	SL-7510-LED or LCD
SL-800-SS-LT-4X8-10K	10,000	2 lb	4 (5000 lb) Capacity Stainless steel load cells	304 Stainless steel	Yes	SL-7510-LED or LCD
SL-800-SS-LT-5X5-1K	1,000	.2 lb	4 (500 lb) Capacity Stainless steel load cells	304 Stainless steel	Yes	SL-7510-LED or LCD
SL-800-SS-LT-5X5-2.5K	2,500	.5 lb	4 (1000 lb) Capacity Stainless steel load cells	304 Stainless steel	Yes	SL-7510-LED or LCD
SL-800-SS-LT-5X5-5K	5,000	1 lb	4 (2500 lb) Capacity Stainless steel load cells	304 Stainless steel	Yes	SL-7510-LED or LCD
SL-800-SS-LT-5X5-10K	10,000	2 lb	4 (5000 lb) Capacity Stainless steel load cells	304 Stainless steel	Yes	SL-7510-LED or LCD
SL-800-SS-LT-5X7-1K	1,000	.2 lb	4 (500 lb) Capacity Stainless steel load cells	304 Stainless steel	Yes	SL-7510-LED or LCD
SL-800-SS-LT-5X7-2.5K	2,500	.5 lb	4 (1000 lb) Capacity Stainless steel load cells	304 Stainless steel	Yes	SL-7510-LED or LCD
SL-800-SS-LT-5X7-5K	5,000	1 lb	4 (2500 lb) Capacity Stainless steel load cells	304 Stainless steel	Yes	SL-7510-LED or LCD
SL-800-SS-LT-5X7-10K	10,000	2 lb	4 (5000 lb) Capacity Stainless steel load cells	304 Stainless steel	Yes	SL-7510-LED or LCD
SL-800-SS-LT-5X8-1K	1,000	.2 lb	4 (500 lb) Capacity Stainless steel load cells	304 Stainless steel	Yes	SL-7510-LED or LCD
SL-800-SS-LT-5X8-2.5K	2,500	.5 lb	4 (1000 lb) Capacity Stainless steel load cells	304 Stainless steel	Yes	SL-7510-LED or LCD
SL-800-SS-LT-5X8-5K	5,000	1 lb	4 (2500 lb) Capacity Stainless steel load cells	304 Stainless steel	Yes	SL-7510-LED or LCD
SL-800-SS-LT-5X8-10K	10,000	2 lb	4 (5000 lb) Capacity Stainless steel load cells	304 Stainless steel	Yes	SL-7510-LED or LCD
SL-800-SS-LT-6X6-1K	1,000	.2 lb	4 (500 lb) Capacity Stainless steel load cells	304 Stainless steel	Yes	SL-7510-LED or LCD
SL-800-SS-LT-6X6-2.5K	2,500	.5 lb	4 (1000 lb) Capacity Stainless steel load cells	304 Stainless steel	Yes	SL-7510-LED or LCD
SL-800-SS-LT-6X6-5K	5,000	1 lb	4 (2500 lb) Capacity Stainless steel load cells	304 Stainless steel	Yes	SL-7510-LED or LCD
SL-800-SS-LT-6X6-10K	10,000	2 lb	4 (5000 lb) Capacity Stainless steel load cells	304 Stainless steel	Yes	SL-7510-LED or LCD
SL-800-SS-LT-7X7-1K	1,000	.2 lb	4 (500 lb) Capacity Stainless steel load cells	304 Stainless steel	Yes	SL-7510-LED or LCD

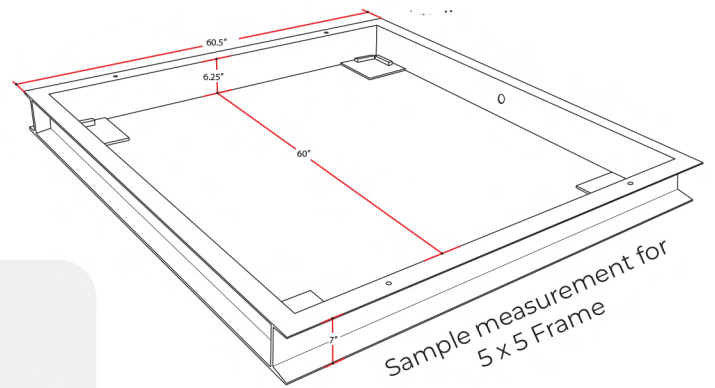
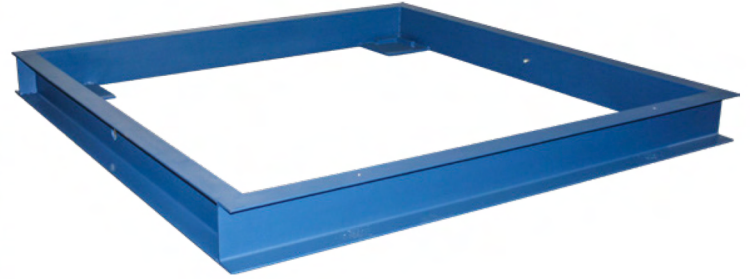
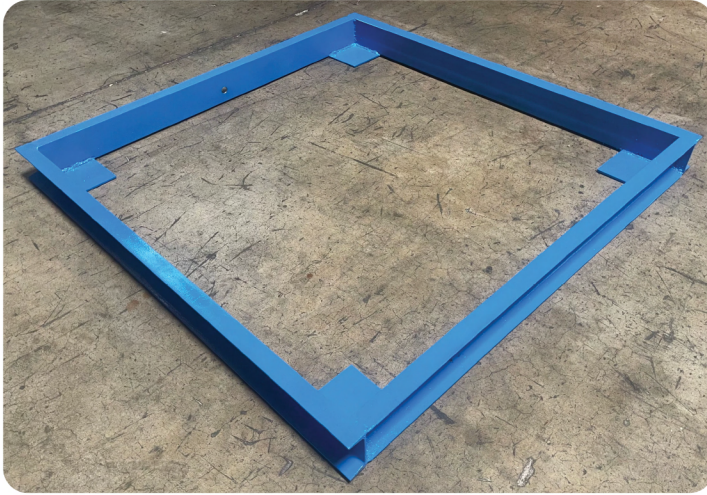
MODELS	CAPACITY in lb	ACCURACY	LOAD CELLS USED	SCALE BASE MATERIAL	NTEP	INDICATOR
SL-800-SS-LT-7X7-2.5K	2,500	.5 lb	4 (1000 lb) Capacity Stainless steel load cells	304 Stainless steel	Yes	SL-7510-LED or LCD
SL-800-SS-LT-7X7-5K	5,000	1 lb	4 (2500 lb) Capacity Stainless steel load cells	304 Stainless steel	Yes	SL-7510-LED or LCD
SL-800-SS-LT-7X7-10K	10,000	2 lb	4 (5000 lb) Capacity Stainless steel load cells	304 Stainless steel	Yes	SL-7510-LED or LCD

DIAMOND PLATE SURFACE MODEL

MODELS	CAPACITY in lb	ACCURACY	LOAD CELLS USED	SCALE BASE MATERIAL	NTEP	INDICATOR
SL-800-SS-LTDP-3X3-1K	1,000	.2 lb	4 (500 lb) Capacity Stainless steel load cells	304 Stainless steel	Yes	SL-7510-LED or LCD
SL-800-SS-LTDP-3X3-2.5K	2,500	.5 lb	4 (1000 lb) Capacity Stainless steel load cells	304 Stainless steel	Yes	SL-7510-LED or LCD
SL-800-SS-LTDP-3X3-5K	5,000	1 lb	4 (2500 lb) Capacity Stainless steel load cells	304 Stainless steel	Yes	SL-7510-LED or LCD
SL-800-SS-LTDP-4X4-1K	1,000	.2 lb	4 (500 lb) Capacity Stainless steel load cells	304 Stainless steel	Yes	SL-7510-LED or LCD
SL-800-SS-LTDP-4X4-2.5K	2,500	.5 lb	4 (1000 lb) Capacity Stainless steel load cells	304 Stainless steel	Yes	SL-7510-LED or LCD
SL-800-SS-LTDP-4X4-5K	5,000	1 lb	4 (2500 lb) Capacity Stainless steel load cells	304 Stainless steel	Yes	SL-7510-LED or LCD
SL-800-SS-LTDP-4X4-10K	10,000	2 lb	4 (5000 lb) Capacity Stainless steel load cells	304 Stainless steel	Yes	SL-7510-LED or LCD
SL-800-SS-LTDP-4X5-1K	1,000	.2 lb	4 (500 lb) Capacity Stainless steel load cells	304 Stainless steel	Yes	SL-7510-LED or LCD
SL-800-SS-LTDP-4X5-2.5K	2,500	.5 lb	4 (1000 lb) Capacity Stainless steel load cells	304 Stainless steel	Yes	SL-7510-LED or LCD
SL-800-SS-LTDP-4X5-5K	5,000	1 lb	4 (2500 lb) Capacity Stainless steel load cells	304 Stainless steel	Yes	SL-7510-LED or LCD
SL-800-SS-LTDP-4X5-10K	10,000	2 lb	4 (5000 lb) Capacity Stainless steel load cells	304 Stainless steel	Yes	SL-7510-LED or LCD
SL-800-SS-LTDP-4X6-1K	1,000	.2 lb	4 (500 lb) Capacity Stainless steel load cells	304 Stainless steel	Yes	SL-7510-LED or LCD
SL-800-SS-LTDP-4X6-2.5K	2,500	.5 lb	4 (1000 lb) Capacity Stainless steel load cells	304 Stainless steel	Yes	SL-7510-LED or LCD
SL-800-SS-LTDP-4X6-5K	5,000	1 lb	4 (2500 lb) Capacity Stainless steel load cells	304 Stainless steel	Yes	SL-7510-LED or LCD
SL-800-SS-LTDP-4X6-10K	10,000	2 lb	4 (5000 lb) Capacity Stainless steel load cells	304 Stainless steel	Yes	SL-7510-LED or LCD
SL-800-SS-LTDP-4X8-1K	1,000	.2 lb	4 (500 lb) Capacity Stainless steel load cells	304 Stainless steel	Yes	SL-7510-LED or LCD
SL-800-SS-LTDP-4X8-2.5K	2,500	.5 lb	4 (1000 lb) Capacity Stainless steel load cells	304 Stainless steel	Yes	SL-7510-LED or LCD
SL-800-SS-LTDP-4X8-5K	5,000	1 lb	4 (2500 lb) Capacity Stainless steel load cells	304 Stainless steel	Yes	SL-7510-LED or LCD
SL-800-SS-LTDP-4X8-10K	10,000	2 lb	4 (5000 lb) Capacity Stainless steel load cells	304 Stainless steel	Yes	SL-7510-LED or LCD
SL-800-SS-LTDP-5X5-1K	1,000	.2 lb	4 (500 lb) Capacity Stainless steel load cells	304 Stainless steel	Yes	SL-7510-LED or LCD
SL-800-SS-LTDP-5X5-2.5K	2,500	.5 lb	4 (1000 lb) Capacity Stainless steel load cells	304 Stainless steel	Yes	SL-7510-LED or LCD
SL-800-SS-LTDP-5X5-5K	5,000	1 lb	4 (2500 lb) Capacity Stainless steel load cells	304 Stainless steel	Yes	SL-7510-LED or LCD
SL-800-SS-LTDP-5X5-10K	10,000	2 lb	4 (5000 lb) Capacity Stainless steel load cells	304 Stainless steel	Yes	SL-7510-LED or LCD

MODELS	CAPACITY in lb	ACCURACY	LOAD CELLS USED	SCALE BASE MATERIAL	NTEP	INDICATOR
SL-800-SS-LTDP-5X7-1K	1,000	.2 lb	4 (500 lb) Capacity Stainless steel load cells	304 Stainless steel	Yes	SL-7510-LED or LCD
SL-800-SS-LTDP-5X7-2.5K	2,500	.5 lb	4 (1000 lb) Capacity Stainless steel load cells	304 Stainless steel	Yes	SL-7510-LED or LCD
SL-800-SS-LTDP-5X7-5K	5,000	1 lb	4 (2500 lb) Capacity Stainless steel load cells	304 Stainless steel	Yes	SL-7510-LED or LCD
SL-800-SS-LTDP-5X7-10K	10,000	2 lb	4 (5000 lb) Capacity Stainless steel load cells	304 Stainless steel	Yes	SL-7510-LED or LCD
SL-800-SS-LTDP-5X8-1K	1,000	.2 lb	4 (500 lb) Capacity Stainless steel load cells	304 Stainless steel	Yes	SL-7510-LED or LCD
SL-800-SS-LTDP-5X8-2.5K	2,500	.5 lb	4 (1000 lb) Capacity Stainless steel load cells	304 Stainless steel	Yes	SL-7510-LED or LCD
SL-800-SS-LTDP-5X8-5K	5,000	1 lb	4 (2500 lb) Capacity Stainless steel load cells	304 Stainless steel	Yes	SL-7510-LED or LCD
SL-800-SS-LTDP-5X8-10K	10,000	2 lb	4 (5000 lb) Capacity Stainless steel load cells	304 Stainless steel	Yes	SL-7510-LED or LCD
SL-800-SS-LTDP-6X6-1K	1,000	.2 lb	4 (500 lb) Capacity Stainless steel load cells	304 Stainless steel	Yes	SL-7510-LED or LCD
SL-800-SS-LTDP-6X6-2.5K	2,500	.5 lb	4 (1000 lb) Capacity Stainless steel load cells	304 Stainless steel	Yes	SL-7510-LED or LCD
SL-800-SS-LTDP-6X6-5K	5,000	1 lb	4 (2500 lb) Capacity Stainless steel load cells	304 Stainless steel	Yes	SL-7510-LED or LCD
SL-800-SS-LTDP-6X6-10K	10,000	2 lb	4 (5000 lb) Capacity Stainless steel load cells	304 Stainless steel	Yes	SL-7510-LED or LCD
SL-800-SS-LTDP-7X7-1K	1,000	.2 lb	4 (500 lb) Capacity Stainless steel load cells	304 Stainless steel	Yes	SL-7510-LED or LCD
SL-800-SS-LTDP-7X7-2.5K	2,500	.5 lb	4 (1000 lb) Capacity Stainless steel load cells	304 Stainless steel	Yes	SL-7510-LED or LCD
SL-800-SS-LTDP-7X7-5K	5,000	1 lb	4 (2500 lb) Capacity Stainless steel load cells	304 Stainless steel	Yes	SL-7510-LED or LCD
SL-800-SS-LTDP-7X7-10K	10,000	2 lb	4 (5000 lb) Capacity Stainless steel load cells	304 Stainless steel	Yes	SL-7510-LED or LCD



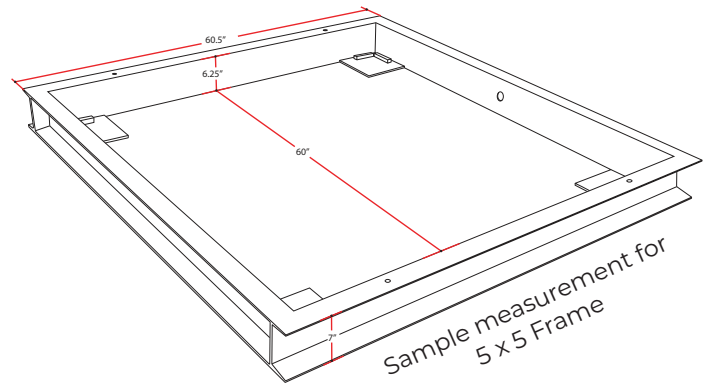


FEATURES

- Power coated steel construction
- This Pit frame allows for floor scales to be installed in a floor pit
- For use with all sellEton floor scales

MODELS	INNER DIMENSIONS
SL-800-PF-2X2	2' X 2' X 4.25" H
SL-800-PF-2X3	2' X 3' X 4.25" H
SL-800-PF-3X3	3' X 3' X 4.25" H
SL-800-PF-4X4	4' X 4' X 4.25" H
SL-800-PF-4X5	4' X 5' X 4.25" H
SL-800-PF-4X6	4' X 6' X 4.25" H

MODELS	INNER DIMENSIONS
SL-800-PF-4X8	4' X 8' X 4.25" H
SL-800-PF-5X5	5' X 5' X 4.25" H
SL-800-PF-5X7	5' X 7' X 4.25" H
SL-800-PF-5X8	5' X 8' X 4.25" H
SL-800-PF-6X6	6' X 6' X 4.25" H
SL-800-PF-7X7	7' X 7' X 4.25" H

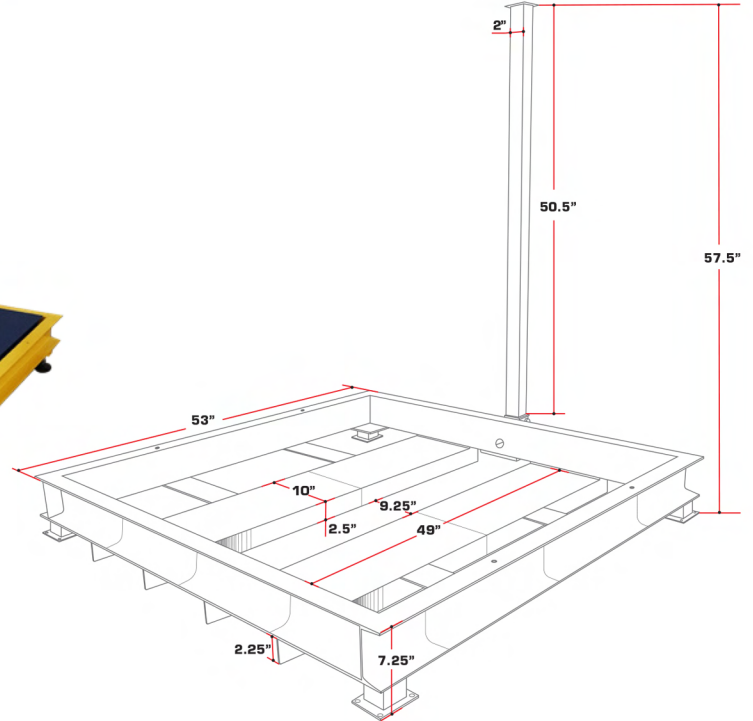


FEATURES

- Stainless steel construction
- This Pit frame allows for floor scales to be installed in a floor pit
- For use with all sellEton floor scales

MODELS	INNER DIMENSIONS
SL-800-SS-PF-2X2	2' X 2' X 4.25" H
SL-800-SS-PF-2X3	2' X 3' X 4.25" H
SL-800-SS-PF-3X3	3' X 3' X 4.25" H
SL-800-SS-PF-4X4	4' X 4' X 4.25" H
SL-800-SS-PF-4X5	4' X 5' X 4.25" H
SL-800-SS-PF-4X6	4' X 6' X 4.25" H

MODELS	INNER DIMENSIONS
SL-800-SS-PF-4X8	4' X 8' X 4.25" H
SL-800-SS-PF-5X5	5' X 5' X 4.25" H
SL-800-SS-PF-5X7	5' X 7' X 4.25" H
SL-800-SS-PF-5X8	5' X 8' X 4.25" H
SL-800-SS-PF-6X6	6' X 6' X 4.25" H
SL-800-SS-PF-7X7	7' X 7' X 4.25" H



FEATURES

- Powder coated steel construction
- This portable frame allows easy entry of forklifts or pallet jacks to move the scales
- Wide slots on the bottom to allow for easy transportation via forklift or pallet jack without touching or damaging scale
- Option of sturdy feet or rolling caster wheels
- For use with all sellEton floor scales

MODELS	INNER DIMENSIONS
SL-800-PPF-2X2	2' X 2' X 4.25" H
SL-800-PPF-2X3	2' X 3' X 4.25" H
SL-800-PPF-3X3	3' X 3' X 4.25" H
SL-800-PPF-4X4	4' X 4' X 4.25" H
SL-800-PPF-4X5	4' X 5' X 4.25" H
SL-800-PPF-4X6	4' X 6' X 4.25" H

MODELS	INNER DIMENSIONS
SL-800-PPF-4X8	4' X 8' X 4.25" H
SL-800-PPF-5X5	5' X 5' X 4.25" H
SL-800-PPF-5X7	5' X 7' X 4.25" H
SL-800-PPF-5X8	5' X 8' X 4.25" H
SL-800-PPF-6X6	6' X 6' X 4.25" H
SL-800-PPF-7X7	7' X 7' X 4.25" H

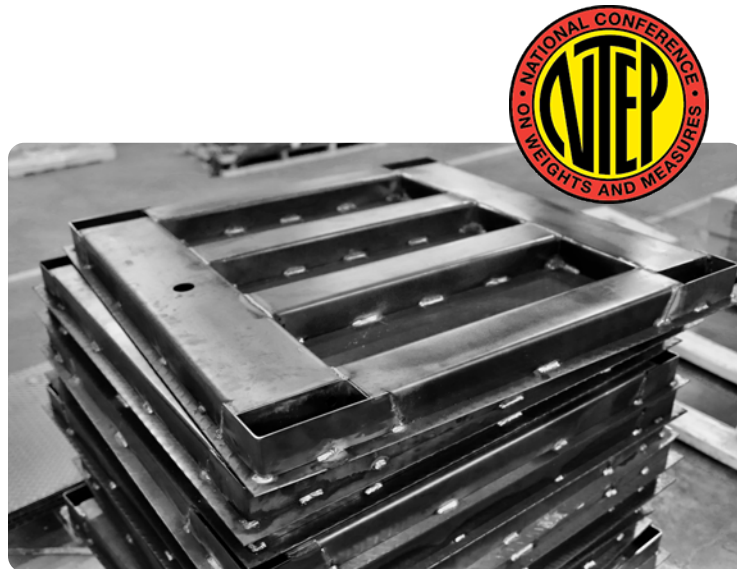


FEATURES

- Stainless steel construction
- This portable frame allows easy entry of forklifts or pallet jacks to move the scales
- Wide slots on the bottom to allow for easy transportation via forklift or pallet jack without touching or damaging scale
- Option of sturdy feet or rolling caster wheels
- For use with all sellEton floor scales

MODELS	INNER DIMENSIONS
SL-800-SS-PPF-2X2	2' X 2' X 4.25" H
SL-800-SS-PPF-2X3	2' X 3' X 4.25" H
SL-800-SS-PPF-3X3	3' X 3' X 4.25" H
SL-800-SS-PPF-4X4	4' X 4' X 4.25" H
SL-800-SS-PPF-4X5	4' X 5' X 4.25" H
SL-800-SS-PPF-4X6	4' X 6' X 4.25" H

MODELS	INNER DIMENSIONS
SL-800-SS-PPF-4X8	4' X 8' X 4.25" H
SL-800-SS-PPF-5X5	5' X 5' X 4.25" H
SL-800-SS-PPF-5X7	5' X 7' X 4.25" H
SL-800-SS-PPF-5X8	5' X 8' X 4.25" H
SL-800-SS-PPF-6X6	6' X 6' X 4.25" H
SL-800-SS-PPF-7X7	7' X 7' X 4.25" H



FEATURES

- High Quality Made in the USA carbon Steel diamond plate construction
- NEMA 4X watertight stainless steel junction box
- Top Access feet & junction box for ease of adjustments.
- Load cell capacity is 2X the scale capacity for a 200% overload protection
- Four NTEP certified alloy steel load cells with adjustable Swivel feet
- 15' heavy duty stainless steel shielded cable
- Pre-calibrated and ready to use up on arrival
- 5 year warranty!

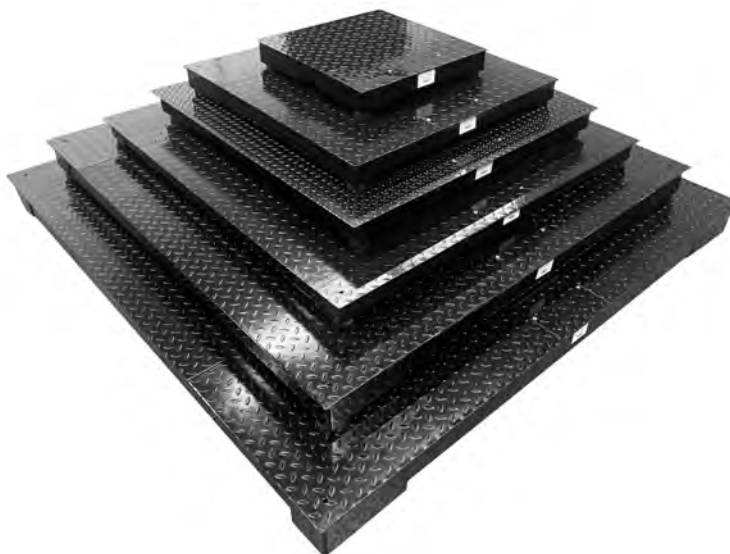
OPTIONAL ACCESSORIES

- Thermal printers
- Scoreboard (Large Display)
- Pit-frame or portability frames
- Data Collection Software
- Access Ramps
- Indicator stands
- Explosion proof upgrade
- Water-resistant upgrades
- Bumper Guards (Impact protection)
- Output systems (4-20ma or 0-5V Relay)
- Wireless (Cordless connection)

MODELS	CAPACITY in lb	ACCURACY	LOAD CELLS USED	SCALE BASE MATERIAL	NTEP	MANUFACTURED IN
SL-900-2X2-1K	1,000	.2 lb	24" x 24" (2' x 2')	Carbon Steel / Diamond plate	Yes	USA
SL-900-2X2-2.5K	2,500	.5 lb	24" x 24" (2' x 2')	Carbon Steel / Diamond plate	Yes	USA
SL-900-2X2-5K	5,000	1 lb	24" x 24" (2' x 2')	Carbon Steel / Diamond plate	Yes	USA
SL-900-2X3-1K	1,000	.2 lb	24" x 36" (2' x 3')	Carbon Steel / Diamond plate	Yes	USA
SL-900-2X3-2.5K	2,500	.5 lb	24" x 36" (2' x 3')	Carbon Steel / Diamond plate	Yes	USA
SL-900-2X3-5K	5,000	1 lb	24" x 36" (2' x 3')	Carbon Steel / Diamond plate	Yes	USA

MODELS	CAPACITY in lb	ACCURACY	FLOOR SCALE SIZE	SCALE BASE MATERIAL	NTEP	MANUFACTURED IN
SL-900-3X3-1K	1,000	.2 lb	36" x 36" (3' x 3')	Carbon Steel / Diamond plate	Yes	USA
SL-900-3X3-2.5K	2,500	.5 lb	36" x 36" (3' x 3')	Carbon Steel / Diamond plate	Yes	USA
SL-900-3X3-5K	5,000	1 lb	36" x 36" (3' x 3')	Carbon Steel / Diamond plate	Yes	USA
SL-900-4X4-1K	1,000	.2 lb	48" x 48" (4' x 4')	Carbon Steel / Diamond plate	Yes	USA
SL-900-4X4-2.5K	2,500	.5 lb	48" x 48" (4' x 4')	Carbon Steel / Diamond plate	Yes	USA
SL-900-4X4-5K	5,000	1 lb	48" x 48" (4' x 4')	Carbon Steel / Diamond plate	Yes	USA
SL-900-4X4-10K	10,000	2 lb	48" x 48" (4' x 4')	Carbon Steel / Diamond plate	Yes	USA
SL-900-4X5-1K	1,000	.2 lb	48" x 60" (4' x 5')	Carbon Steel / Diamond plate	Yes	USA
SL-900-4X5-2.5K	2,500	.5 lb	48" x 60" (4' x 5')	Carbon Steel / Diamond plate	Yes	USA
SL-900-4X5-5K	5,000	1 lb	48" x 60" (4' x 5')	Carbon Steel / Diamond plate	Yes	USA
SL-900-4X5-10K	10,000	2 lb	48" x 60" (4' x 5')	Carbon Steel / Diamond plate	Yes	USA
SL-900-4X6-1K	1,000	.2 lb	48" x 72" (4' x 6')	Carbon Steel / Diamond plate	Yes	USA
SL-900-4X6-2.5K	2,500	.5 lb	48" x 72" (4' x 6')	Carbon Steel / Diamond plate	Yes	USA
SL-900-4X6-5K	5,000	1 lb	48" x 72" (4' x 6')	Carbon Steel / Diamond plate	Yes	USA
SL-900-4X6-10K	10,000	2 lb	48" x 72" (4' x 6')	Carbon Steel / Diamond plate	Yes	USA
SL-900-4X8-1K	1,000	.2 lb	48" x 96" (4' x 8')	Carbon Steel / Diamond plate	Yes	USA
SL-900-4X8-2.5K	2,500	.5 lb	48" x 96" (4' x 8')	Carbon Steel / Diamond plate	Yes	USA
SL-900-4X8-5K	5,000	1 lb	48" x 96" (4' x 8')	Carbon Steel / Diamond plate	Yes	USA
SL-900-4X8-10K	10,000	2 lb	48" x 96" (4' x 8')	Carbon Steel / Diamond plate	Yes	USA
SL-900-5X5-1K	1,000	.2 lb	60" x 60" (5' x 5')	Carbon Steel / Diamond plate	Yes	USA
SL-900-5X5-2.5K	2,500	.5 lb	60" x 60" (5' x 5')	Carbon Steel / Diamond plate	Yes	USA
SL-900-5X5-5K	5,000	1 lb	60" x 60" (5' x 5')	Carbon Steel / Diamond plate	Yes	USA
SL-900-5X5-10K	10,000	2 lb	60" x 60" (5' x 5')	Carbon Steel / Diamond plate	Yes	USA
SL-900-5X7-1K	1,000	.2 lb	60" x 84" (5' x 7')	Carbon Steel / Diamond plate	Yes	USA
SL-900-5X7-2.5K	2,500	.5 lb	60" x 84" (5' x 7')	Carbon Steel / Diamond plate	Yes	USA
SL-900-5X7-5K	5,000	1 lb	60" x 84" (5' x 7')	Carbon Steel / Diamond plate	Yes	USA
SL-900-5X7-10K	10,000	2 lb	60" x 84" (5' x 7')	Carbon Steel / Diamond plate	Yes	USA
SL-900-5X8-1K	1,000	.2 lb	60" x 96" (5' x 8')	Carbon Steel / Diamond plate	Yes	USA
SL-900-5X8-2.5K	2,500	.5 lb	60" x 96" (5' x 8')	Carbon Steel / Diamond plate	Yes	USA
SL-900-5X8-5K	5,000	1 lb	60" x 96" (5' x 8')	Carbon Steel / Diamond plate	Yes	USA

MODELS	CAPACITY in lb	ACCURACY	FLOOR SCALE SIZE	SCALE BASE MATERIAL	NTEP	MANUFACTURED IN
SL-900-5X8-10K	10,000	2 lb	60" x 96" (5' x 8')	Carbon Steel / Diamond plate	Yes	USA
SL-900-6X6-1K	1,000	.2 lb	72" x 72" (6' x 6')	Carbon Steel / Diamond plate	Yes	USA
SL-900-6X6-2.5K	2,500	.5 lb	72" x 72" (6' x 6')	Carbon Steel / Diamond plate	Yes	USA
SL-900-6X6-5K	5,000	1 lb	72" x 72" (6' x 6')	Carbon Steel / Diamond plate	Yes	USA
SL-900-6X6-10K	10,000	5 lb	72" x 72" (6' x 6')	Carbon Steel / Diamond plate	Yes	USA
SL-900-7X7-1K	1,000	.2 lb	84" x 84" (7' x 7')	Carbon Steel / Diamond plate	Yes	USA
SL-900-7X7-2.5K	2,500	.5 lb	84" x 84" (7' x 7')	Carbon Steel / Diamond plate	Yes	USA
SL-900-7X7-5K	5,000	1 lb	84" x 84" (7' x 7')	Carbon Steel / Diamond plate	Yes	USA
SL-900-7X7-10K	10,000	2 lb	84" x 84" (7' x 7')	Carbon Steel / Diamond plate	Yes	USA

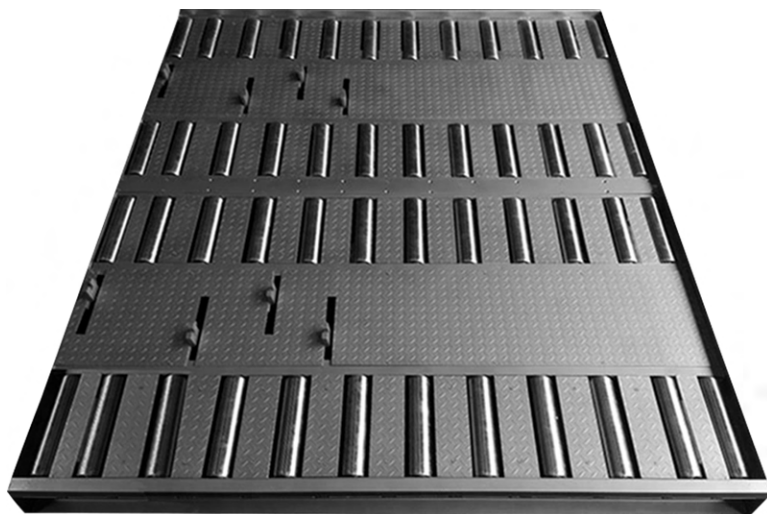


FEATURES

- Industrial design and load cells
- 200% overload protection
- Digital indicator included
- Adjustable Height
- 1 year warranty

SIZES

- 100" (L) x 132" (W) x 20" (H)
- 8' x 8' ft
- 10' x 10' ft
- 14' x 14' ft
- Custom Sizes Available



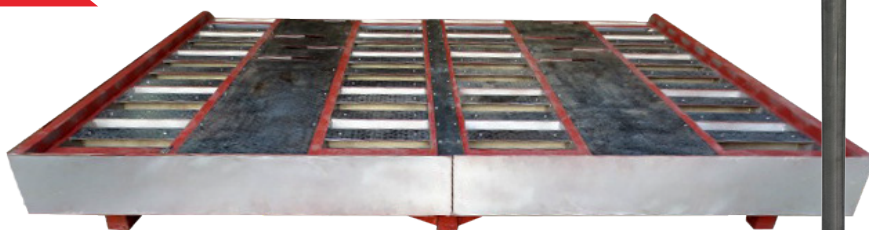
SL-7510 Indicator



Heavy-duty metal cable
with water-proof
protective outer coating



OPTIONAL ACCESSORIES



Optional data
logging software



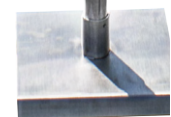
Optional Label
Printer



Optional Table
Printer



Optional scoreboard



Optional Indicator
Column



HEAVY-DUTY METAL CABLES
with water-proof protective
outer coating



Continuous welding
Multiple steel channels



Airport Installation



Ideal for weighing Cargo Loads

FEATURES

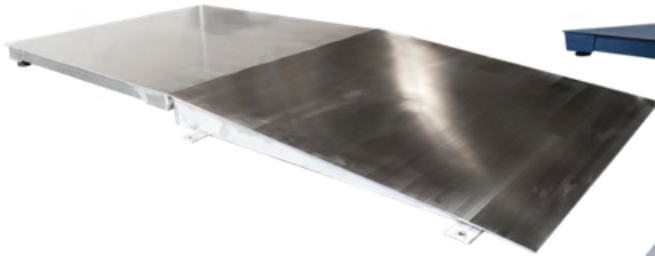
- Twin module rugged steel deck construction
- 1.25' long wrap around ramps for easy access and eliminates the need for a scale pit
- Ultra low 3" profile allows easy loading of heavy items
- Powder coat finish
- Complete scale and indicator package
- Indoor or outdoor usage
- Perfect for cargo dolly weighing
- Set up is simple and allows for easy relocation
- Load cell capacity is 2X the scale capacity for a 200% overload protection
- Four NTEP certified alloy steel load cells
- 45' heavy duty metal shielded cable
- Factory pre-calibrated for quick setup

OPTIONAL ACCESSORIES

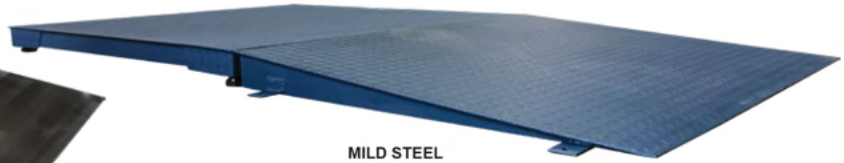
- Data logging software
- Label/Table printer
- Indicator Upgrade
- Indicator stand
- Scoreboard

SPECIFICATIONS

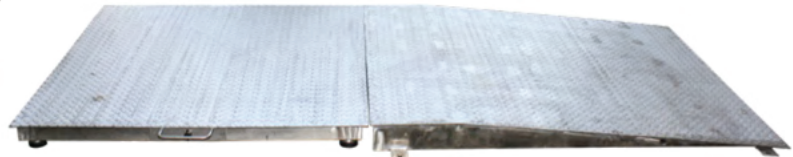
PART#	SL-960-2057	SL-960-4057	SL-960-201010
CAPACITY	20,000 lb x 2 lb	40,000 lb x 5 lb	20,000 lb x 2 lb
PLATFORM SIZE	5' x 7' x 2.87" H	5' x 7' x 2.87" H	10' x 10' x 2.87" H
RAMP LENGTH	1.25 ft		
OVERALL SIZE	7.5ft x 8.5ft	7.5ft x 8.5ft	12.5ft x 12.5ft
INDICATOR	NTEP SL-7510 (upgrades available)		



STAINLESS STEEL



MILD STEEL

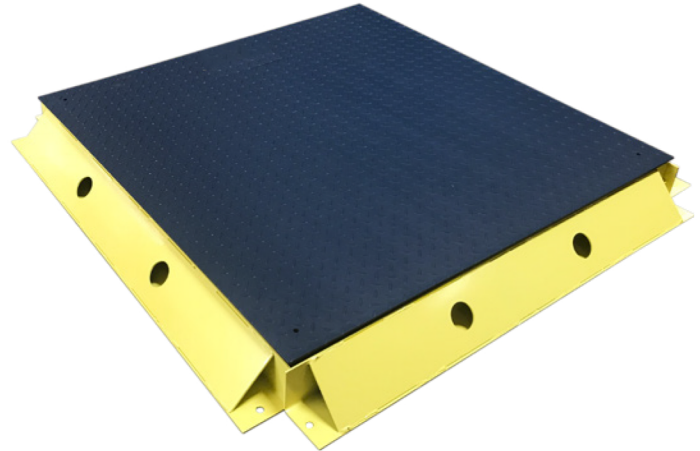
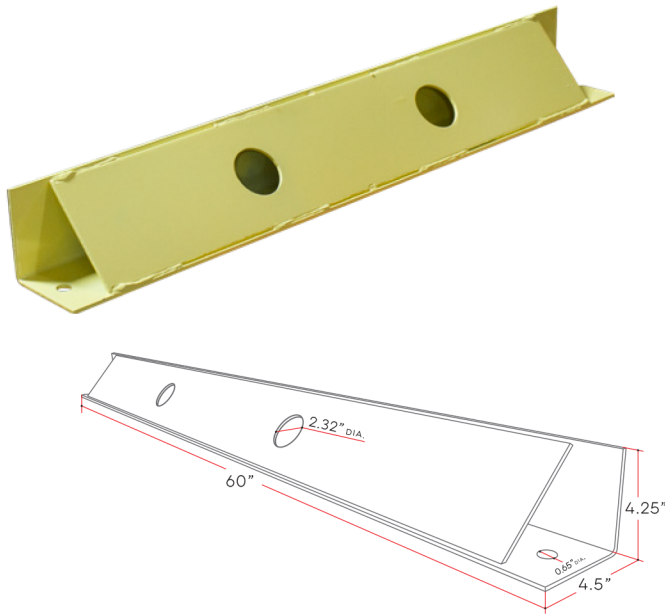


STAINLESS STEEL DIAMOND PLATE

FEATURES

- Allows for easy entrance or rolling onto scale
- Easy to install with 4.5" anchor bolts
- For use with SL-700 & SL-800 series floor scales

MODELS	MATERIAL	RAMP SIZE	SCALE SIZE TO MATCH
SL-750-2X2	Mild Steel, Diamond Plate	2' W X 2'L	For 2' x 2' Scales
SL-750-3X3	Mild Steel, Diamond Plate	3' W X 3'L	For 3' x 3' Scales
SL-750-4X3	Mild Steel, Diamond Plate	4' W X 3'L	For 4' x 4', 4' x 5', 4' x 6', 4' x 8' Scales
SL-750-4X4	Mild Steel, Diamond Plate	4' W X 4'L	For 4' x 4', 4' x 5', 4' x 6', 4' x 8' Scales
SL-750-4X5	Mild Steel, Diamond Plate	4' W X 5'L	For 4' x 4', 4' x 5', 4' x 6', 4' x 8' Scales
SL-750-5X4	Mild Steel, Diamond Plate	5' W X 4'L	For 5' x 5', 5' x 7', 5' x 8' Scales
SL-750-5X5	Mild Steel, Diamond Plate	5' W X 5'L	For 5' x 5', 5' x 7', 5' x 8' Scales
SL-750-SS-2X2	Stainless Steel, Smooth	2' W X 2'L	For 2' x 2' Scales
SL-750-SS-3X3	Stainless Steel, Smooth	3' W X 3'L	For 3' x 3' Scales
SL-750-SS-4X3	Stainless Steel, Smooth	4' W X 3'L	For 4' x 4', 4' x 5', 4' x 6', 4' x 8' Scales
SL-750-SS-4X4	Stainless Steel, Smooth	4' W X 4'L	For 4' x 4', 4' x 5', 4' x 6', 4' x 8' Scales
SL-750-SS-5X4	Stainless Steel, Smooth	5' W X 4'L	For 5' x 5', 5' x 7', 5' x 8' Scales
SL-750-SS-DP-2X2	Stainless Steel, Diamond Plate	2' W X 2'L	For 2' x 2' Scales
SL-750-SS-DP-3X3	Stainless Steel, Diamond Plate	3' W X 3'L	For 3' x 3' Scales
SL-750-SS-DP-4X4	Stainless Steel, Diamond Plate	4' W X 4'L	For 4' x 4', 4' x 5', 4' x 6', 4' x 8' Scales
SL-750-SS-DP-4X5	Stainless Steel, Diamond Plate	4' W X 5'L	For 4' x 4', 4' x 5', 4' x 6', 4' x 8' Scales
SL-750-SS-DP-5X4	Stainless Steel, Diamond Plate	5' W X 4'L	For 5' x 5', 5' x 7', 5' x 8' Scales
SL-750-SS-DP-5X5	Stainless Steel, Diamond Plate	5' W X 5'L	For 5' x 5', 5' x 7', 5' x 8' Scales



FEATURES

- Heavy duty construction
- Prevents forklift from hitting and damaging the scale
- Easy to install, with (4) 1/2" anchor bolts
- For use with SL-700 & SL-800 series floor scales
- Designed to minimize damage to forks and forklift

MODELS	INNER DIMENSIONS
SL-433-3	3'(L) x 4.25" (H)
SL-433-4	4'(L) x 4.25" (H)
SL-433-5	5'(L) x 4.25" (H)
SL-433-6	6'(L) x 4.25" (H)
SL-433-7	7'(L) x 4.25" (H)

FEATURES

- Compatible with all Selleton indicators
- Goes great with all industrial scales
- Stand with base

Heavy duty mild steel model:

- Powder coated finish
- Constructed with heavy gauge metal
- (4) holes for bolting to ground for ultimate stability

MODELS	MATERIAL	DIMENSIONS
SL-403-SS	Stainless Steel	10" (L) x 11" (W) x 40" (H)
SL-403-HD	Painted Steel	19.5" (L) x 19.5" (W) x 56" (H)

