

# Instructions for the LEXINGTON PLATFORM BED - FULL

SKU# 6222-LX-F

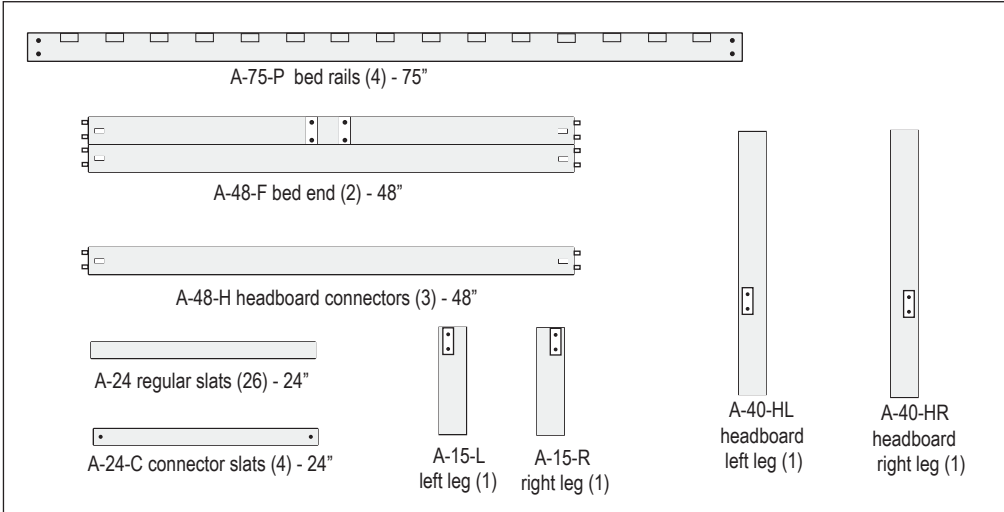


Manufactured by

**kd frames**

394 Dairy Pak Rd. • Athens, GA 30607  
kdframes.com • customerservice@kdframes.com

## PARTS LIST



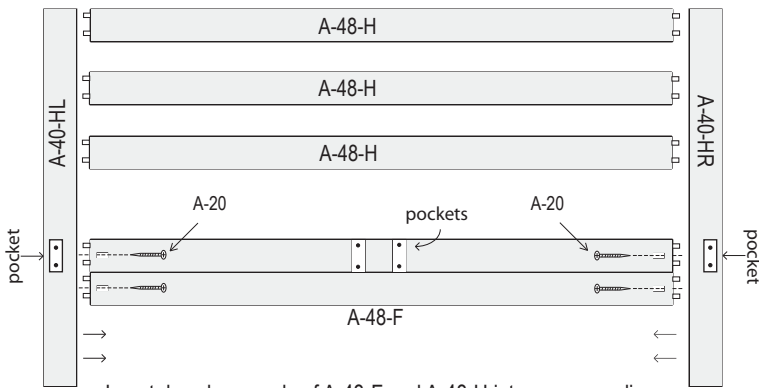
## HARDWARE LIST

Part #	Description	Quantity
H-20	1-1/2" WOOD SCREW	14
H-21	2 - 1/2" BOLT	24
H-3	CROSS DOWEL	24
H-10	HEX WRENCH	1

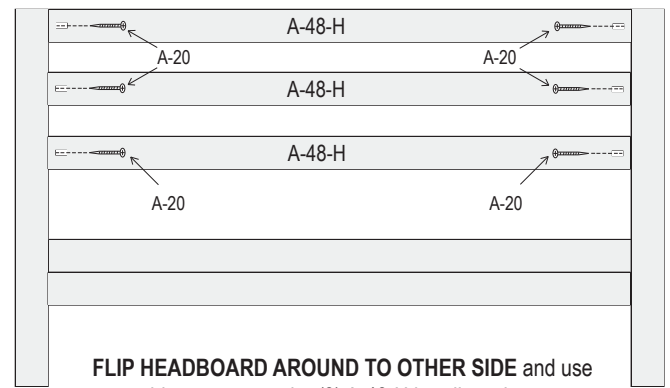
#2 PHILLIPS HEAD SCREW DRIVER REQUIRED

Tulip Poplar is a beautiful hardwood species that can have some slight coloration in parts of the tree. We make every attempt to preserve the prettiest wood for the parts of our frames that show. However, in an attempt not to waste perfectly good and sound poplar, some pieces of the frame will reflect this coloration. We use these pieces in parts of the frame that ultimately will be hidden, such as bed slats. Any green tint in the wood will change brown after several weeks or after exposure to direct sunlight for about 30 minutes. For more information on our products including **ASSEMBLY VIDEOS**, please visit us at [kdframes.com](http://kdframes.com).

### STEP 1: Assemble the headboard



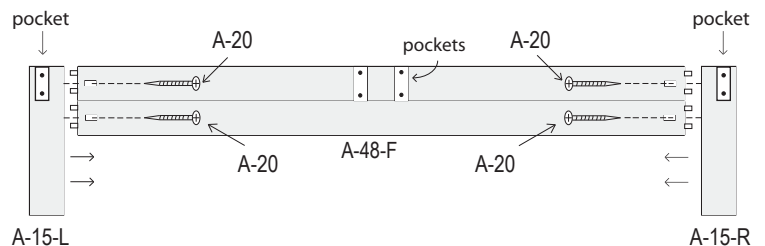
Insert dowels on ends of A-48-F and A-48-H into corresponding holes in headboard legs A-40-HL and A-40-HR as pictured. Be sure pockets on legs and A-48-F bed end are on the same side.  
**NOTE: Pockets on the (3) A-48-H headboard connectors should face the other side.** Use screwdriver to secure with A-20 wood screws.



**FLIP HEADBOARD AROUND TO OTHER SIDE** and use screwdriver to secure the (3) A-48-H headboard connectors with (6) A-20 wood screws as pictured.

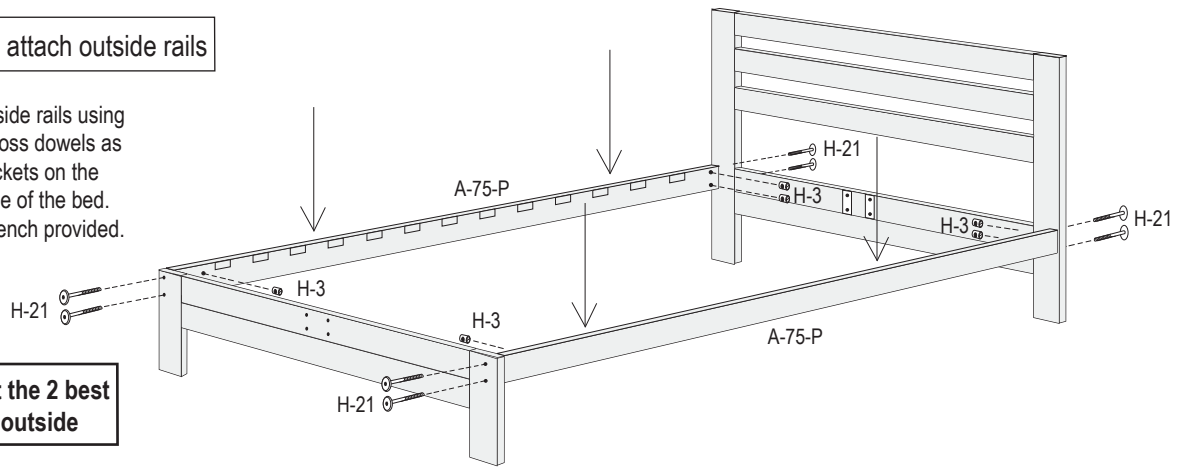
### STEP 2: Assemble the footboard

Insert dowels on ends of A-48-F into corresponding holes in legs A-15-L and A-15-R as pictured. **Be sure pockets on legs and A-48-F are on the same side.** Use screwdriver to secure with A-20 wood screws.



### STEP 3: Insert and attach outside rails

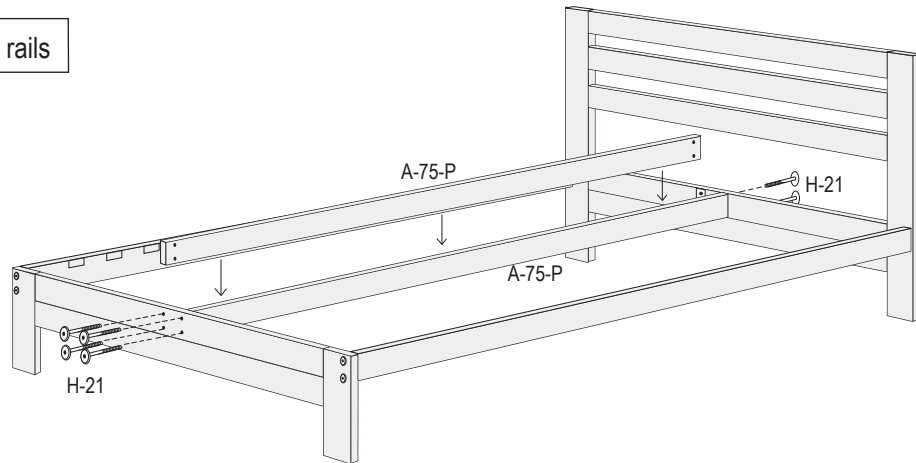
Attach the (2) A-75-P outside rails using the H-21 bolts and H-3 cross dowels as pictured. Be sure the pockets on the rails face toward the inside of the bed. Tighten with H-10 hex wrench provided.



**IMPORTANT: Select the 2 best looking rails for the outside**

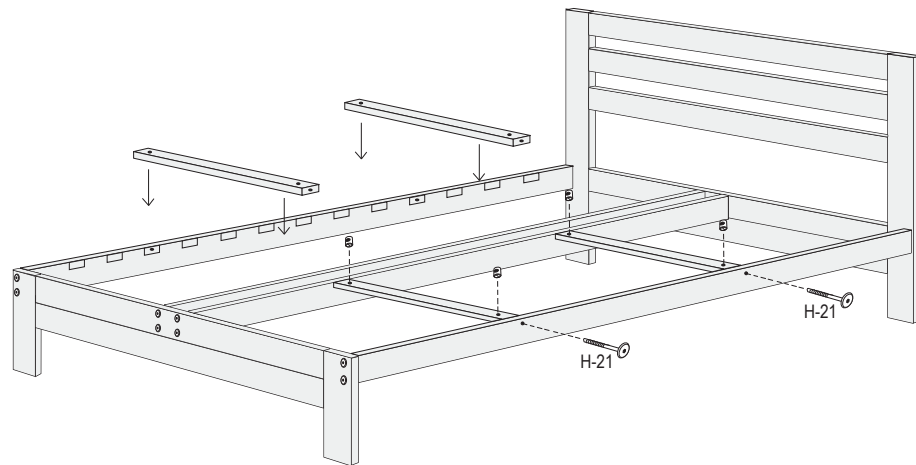
### STEP 4: Insert and attach center rails

Install the remaining (2) A-75-P rails using the H-21 bolts and H-3 cross dowels as pictured. Be sure the pockets on the rails face toward the pockets of the outside rails. Tighten with H-10 hex wrench provided.



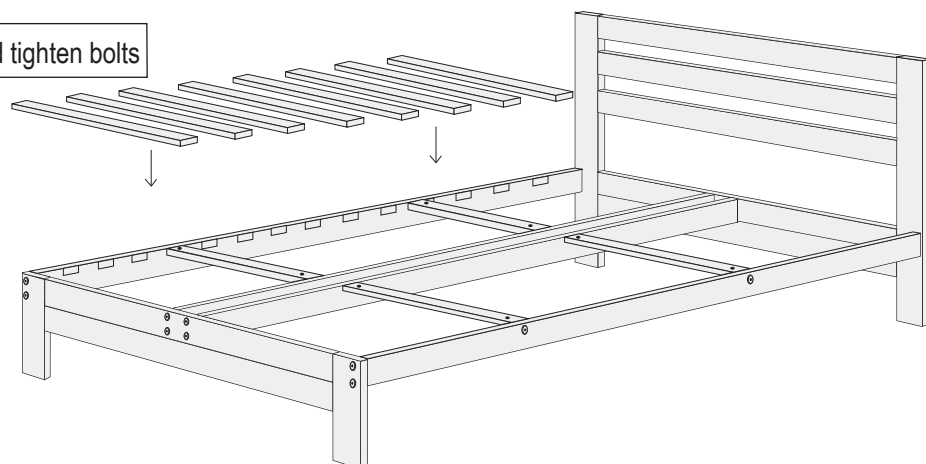
### STEP 5: Install connector slats

Install the (4) A-24-C connector slats in the pockets with holes in them. Attach using the H-21 bolts and H-3 cross dowels as pictured. **Hand tighten, do not use H-10 hex wrench at this time.**



### STEP 5: Install regular slats and tighten bolts

Install all of the A-24 regular slats and tighten the (8) H-21 connector slat bolts with H-10 hex wrench provided.



**IMPORTANT: Please retighten all H-21 bolts after 30 days!**