

Manufactured by



394 Dairy Pak Rd. • Athens, GA 30607
kdframes.com • alan@kdframes.com

Instructions for FOLD Bed Full sku# 5772-FB-F

Tools needed:

#2 Phillips Screw Driver

This bed frame is made with Tulip Poplar. Any green tint in the wood will change to light brown in a few weeks. This will happen in 20 to 30 minutes if placed in direct sunlight. Tulip Poplar can be left unfinished, clear finished, stained, or painted. I prefer the lighter stains over the darker ones because the wood is fairly porous. My favorite is a clear finish with no stain. Satin polyurethane (oil or water based) works well.

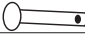
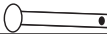


Painting: It is best to start with an interior primer and lightly sand before painting.

Staining: Lightly sand before staining. Wipe stain on with a rag until you get the desired color. If you are going to use a top coat (such as polyurethane), do not sand again until after the first coat, and then be careful not to sand away the stain.

Finishing: All finishes work well with Tulip Poplar. A simple wax finish over stain (Minwax for example) is easy. An oil finish such as Danish oil can be used. Or a clear top coat such as polyurethane works well to seal the wood. With polyurethanes, the first coat acts as a sanding sealer. So you should lightly sand (180 - 220 grit sandpaper) after the first coat, wipe the wood clean, and then build up coats for the desired effect.

Knockdown Frameworks, Inc. warrants all of its products for five years against any defects that are due to faulty materials or workmanship. We will promptly correct such defects by repair or replacement, at our option, without charge. This warranty covers product defects only and will expire five years after date of purchase by the original consumer purchaser, with proof of purchase required.

This warranty does not apply to damage caused by and resulting from misuse, neglect, accident, or improper operation, maintenance, storage, transportation, or handling of the product. This warranty is for the original consumer purchaser for residential use only and does not apply if the product is used in any commercial application (such as rental property). This warranty does not cover any incidental or consequential damages. If you feel that you have a claim under this warranty, please contact the store from which it was purchased. If this is not possible, call 706-543-9397 for advice on handling your claim.

P A R T S L I S T					
F-37	BED RAIL	4	H-8	2-1/4" CLEVIS PIN 	4
F-10	LEG	2	H-12	3-1/4" CLEVIS PIN 	4
F-6	RAIL CONNECTOR	2	H-5	HAIR PIN 	8
F-15	PROP	4			
F-44	PROP CONNECTOR	2	H-11	WOOD DOWEL 	26
F-52	BED SLATS	4	H-19	1 - 3/4" WOOD SCREW 	12
F-48	MIDDLE SLATS	10			
F-32	SLAT CAPS	4			

PARTS



(4) F-52 BED SLAT - 52"



(10) F-48 MIDDLE SLAT - 48"



(2) F-44 PROP CONNECTOR - 44"



(4) F-37 BED RAIL - 37"



(4) F-32 SLAT CAP - 32"



(2) F-10 LEG - 10"



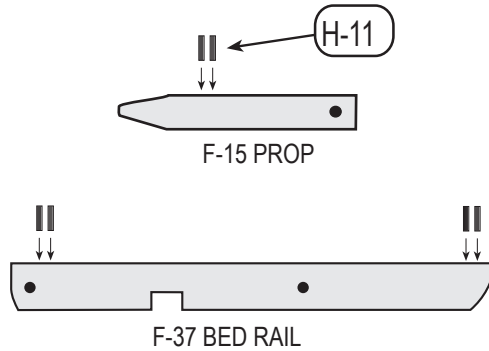
(4) F-15 PROP - 15"



(2) F-6 RAIL CONNECTOR - 6"

1

Push Wood Dowels (H-11) all the way into holes on the edge of the (4) Props (F-15) and the (4) Bed Rails (F-37).



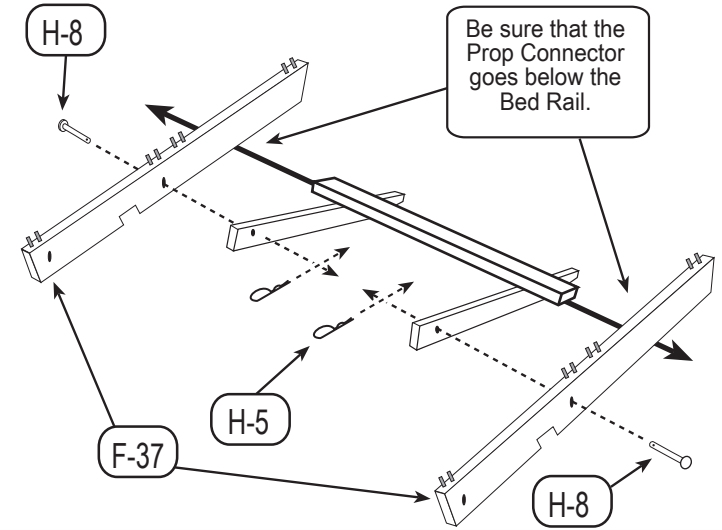
3

Attach two of the Bed Rails (F-37) to the outside of one of the Prop Assemblies using 2-1/4" Clevis Pins (H-8).

Let the Prop Assembly swing down so that the Prop Connector can go below the Bed Rails.

Secure the Clevis Pins with Hair Pins (H-5).

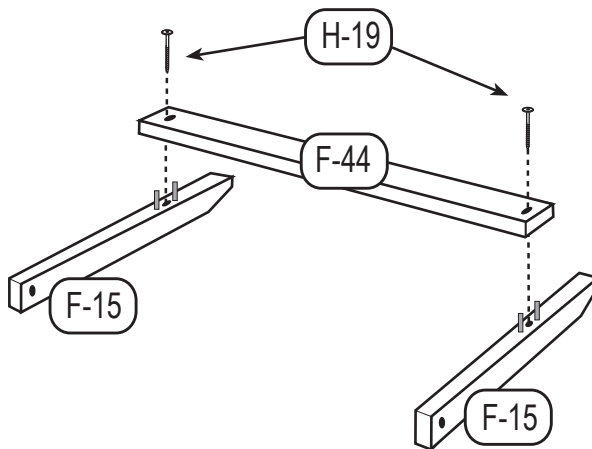
Repeat these steps to make the other half of the bed frame.



2

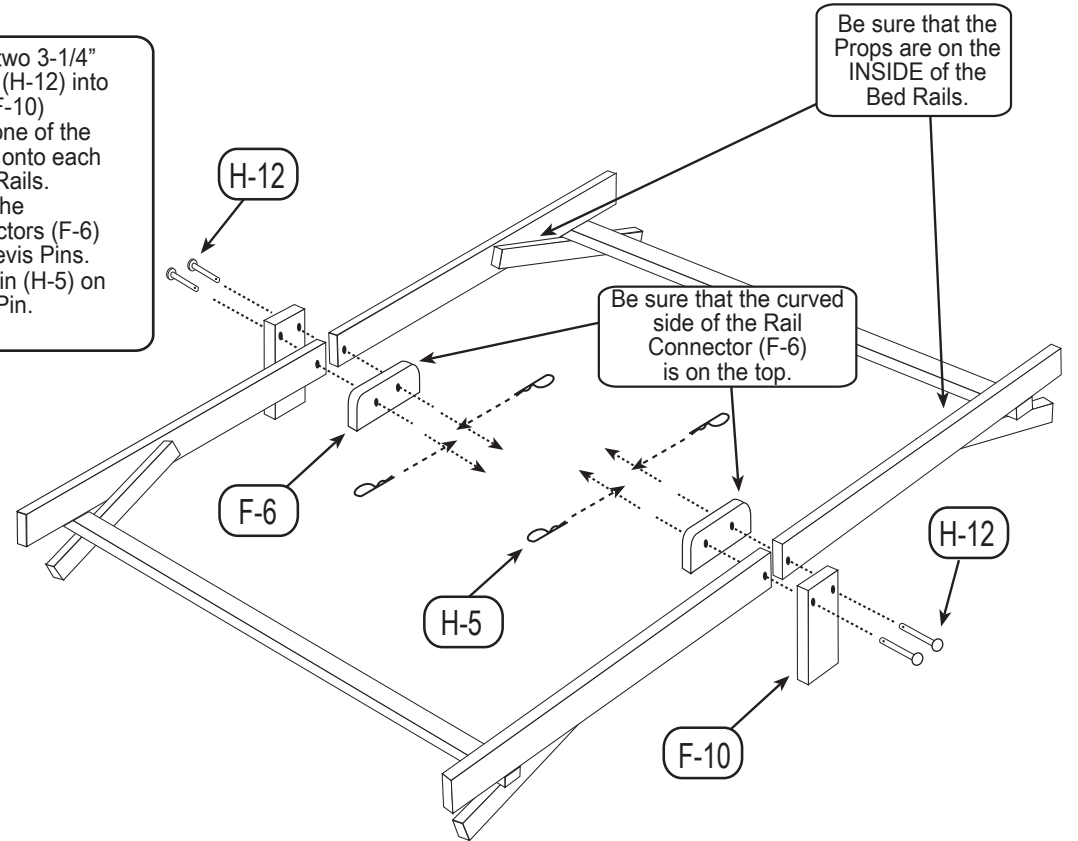
Press the Prop Connector (F-44) onto the Wood Dowels on the Props (F-15). Attach with Wood Screws (H-19).

Repeat these steps to make the other Prop Assembly.



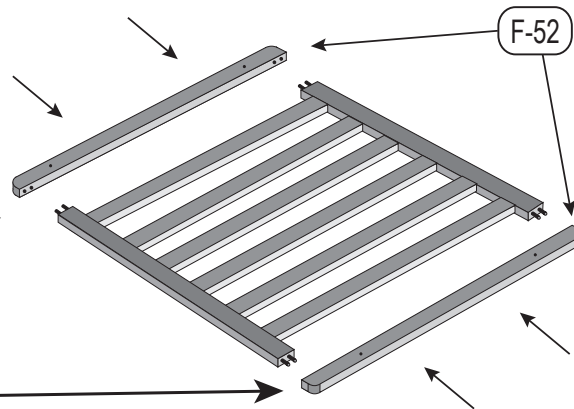
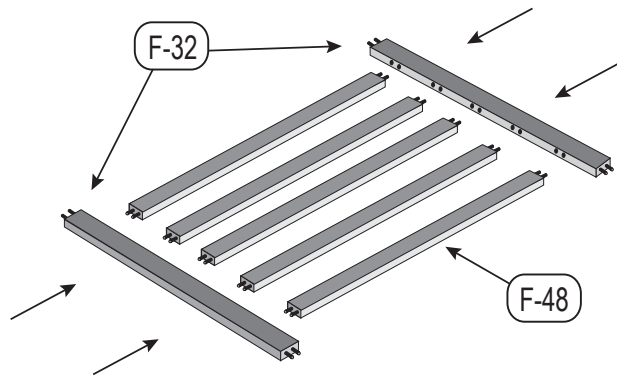
4

- First, insert two 3-1/4" Clevis Pins (H-12) into each Leg (F-10)
- Then push one of the Clevis Pins onto each of the Bed Rails.
- Then slide the Rail Connectors (F-6) onto the Clevis Pins.
- Put a Hair Pin (H-5) on each Clevis Pin.



5

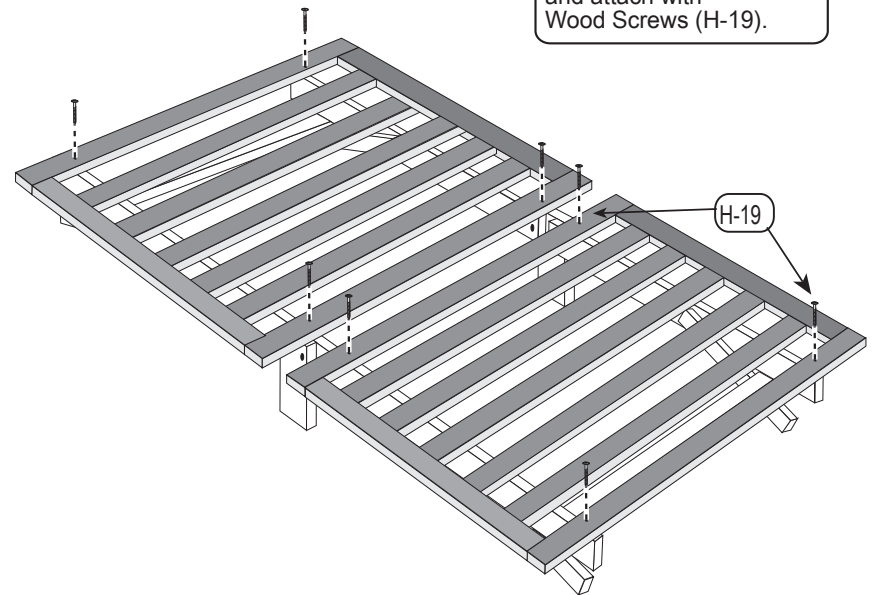
Assemble the Slat Decks by pressing (5) Middle Slats (F-48) into (2) Slat Caps (F-32). Then press (2) Bed Slats (F-52) onto the Slat Caps. Repeat for the other Slat Deck.



Note:
Be sure that the 4
dowel holes are on
the bottom.

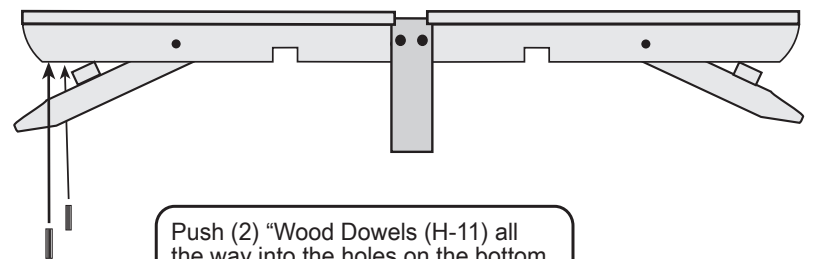
6

Push the Slat Decks down
onto the Wood Dowels
and attach with
Wood Screws (H-19).



7

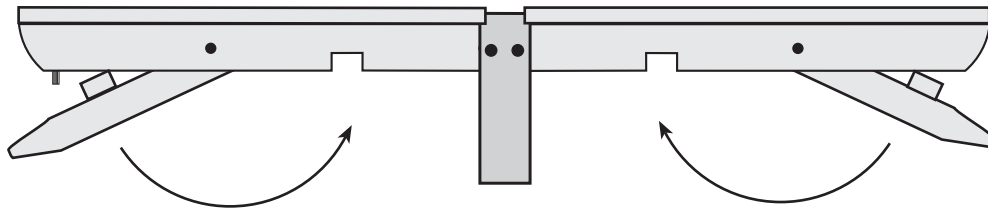
Push (2) "Wood Dowels (H-11) all
the way into the holes on the bottom
of the Bed Rails on just one end
of the bed. (When the bed is folded,
these dowels will fit into the holes on
the other end of the bed.)



Operation:

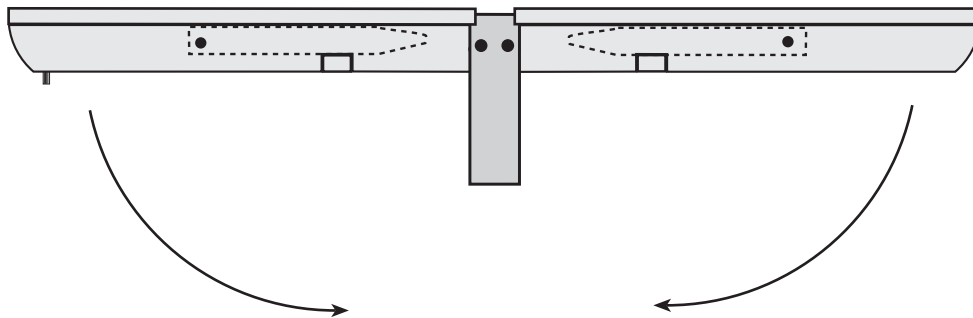
①

Fold up Prop assemblies.

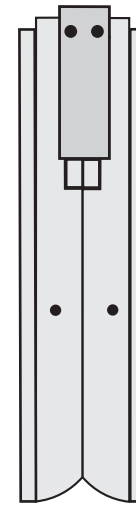


②

Fold Bed Rails together.



③



To secure bed in the folded position, push the Wood Dowels into holes on the Bed Rails from the other side.