

Instructions for KD Lounger Full

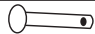
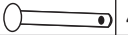


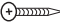
sku# 4832-KD-F

Manufactured by:

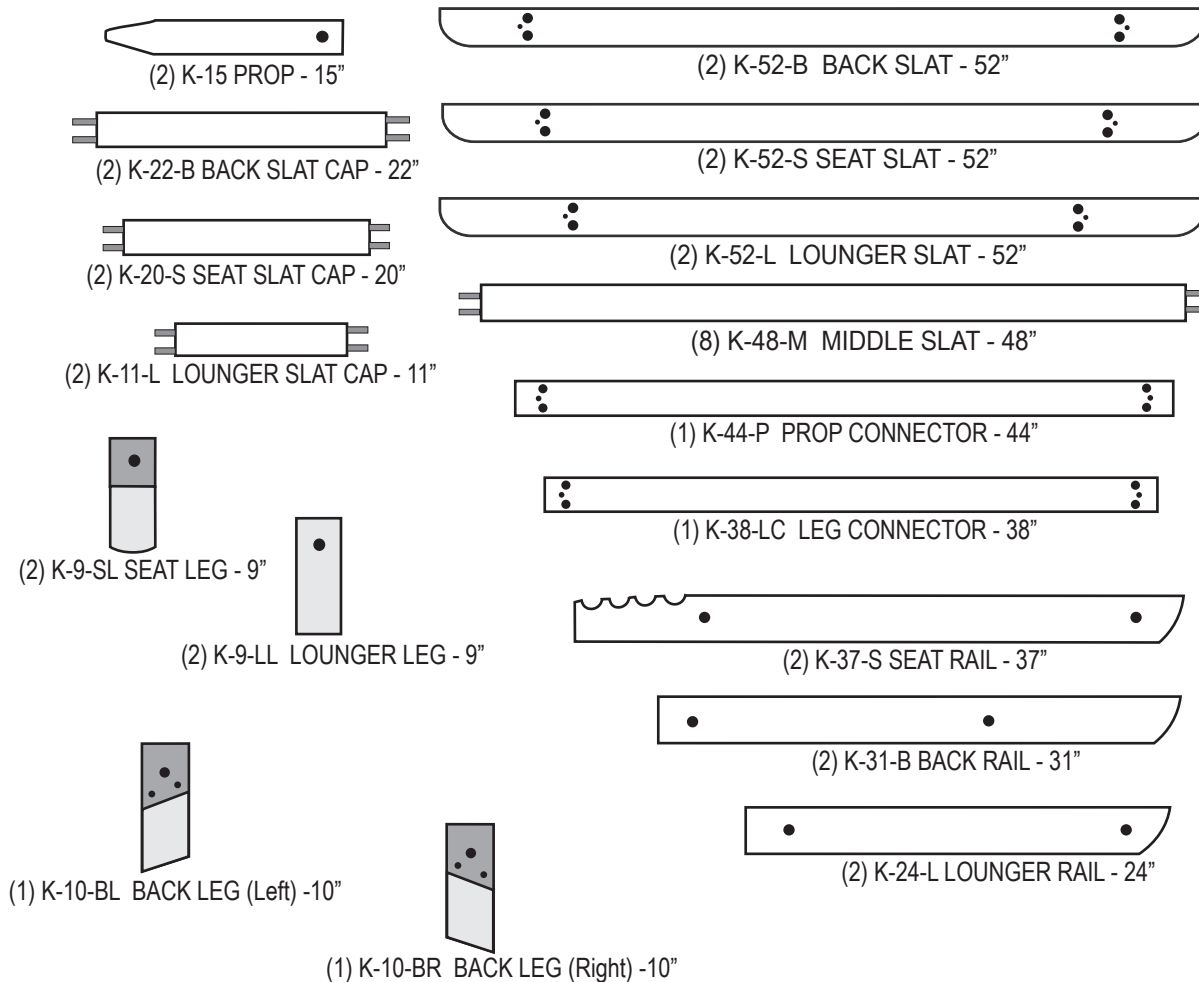


400-B Dairy Pak Rd. • Athens, GA 30607
kdframes.com • alan@kdframes.com

HARDWARE

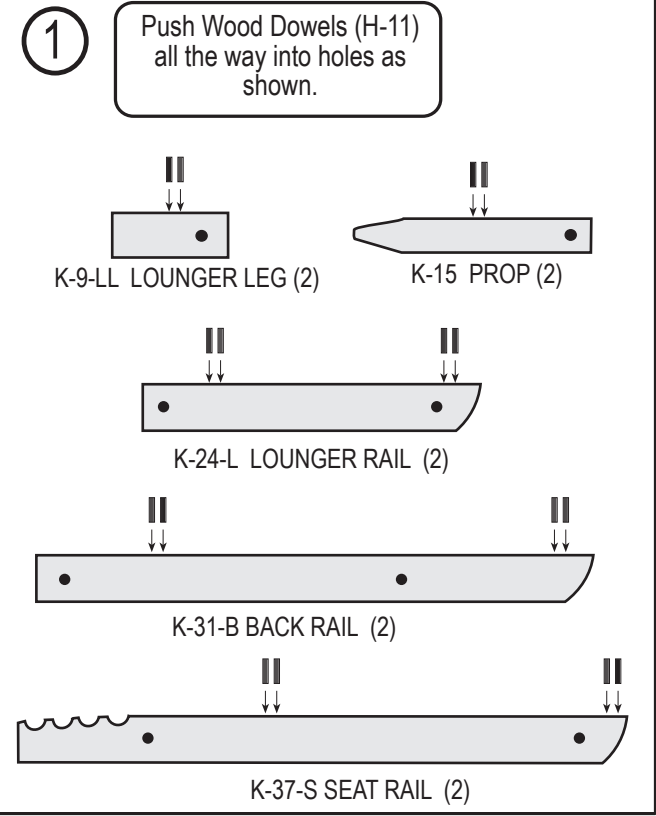
| | | | |
|------|---------------------|---|----|
| H-8 | 2-1/4" CLEVIS PIN |  | 4 |
| H-12 | 3-1/4" CLEVIS PIN |  | 4 |
| H-5 | HAIR PIN |  | 8 |
| H-11 | WOOD DOWEL |  | 32 |
| H-19 | 1 - 3/4" WOOD SCREW |  | 20 |

PARTS



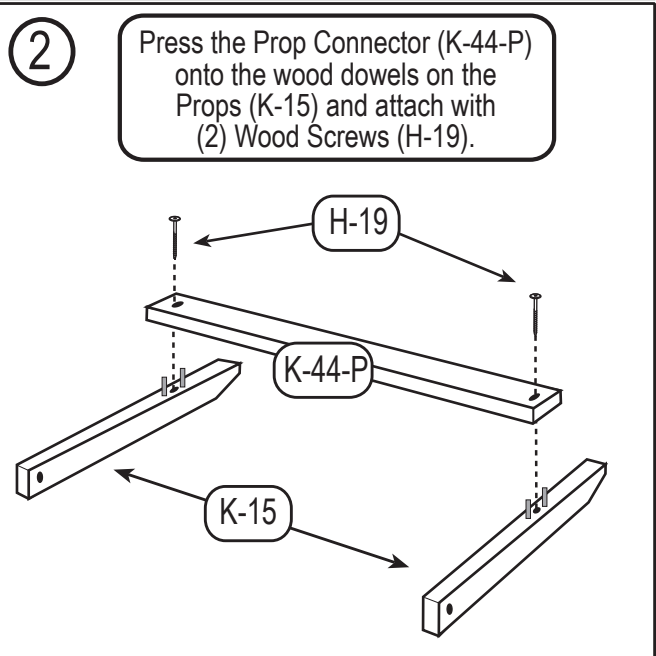
- (2) K-15 PROP - 15"
- (2) K-22-B BACK SLAT CAP - 22"
- (2) K-20-S SEAT SLAT CAP - 20"
- (2) K-11-L LOUNGER SLAT CAP - 11"
- (2) K-9-SL SEAT LEG - 9"
- (2) K-9-LL LOUNGER LEG - 9"
- (1) K-10-BL BACK LEG (Left) - 10"
- (1) K-10-BR BACK LEG (Right) - 10"
- (2) K-52-B BACK SLAT - 52"
- (2) K-52-S SEAT SLAT - 52"
- (2) K-52-L LOUNGER SLAT - 52"
- (8) K-48-M MIDDLE SLAT - 48"
- (1) K-44-P PROP CONNECTOR - 44"
- (1) K-38-LC LEG CONNECTOR - 38"
- (2) K-37-S SEAT RAIL - 37"
- (2) K-31-B BACK RAIL - 31"
- (2) K-24-L LOUNGER RAIL - 24"

1 Push Wood Dowels (H-11) all the way into holes as shown.

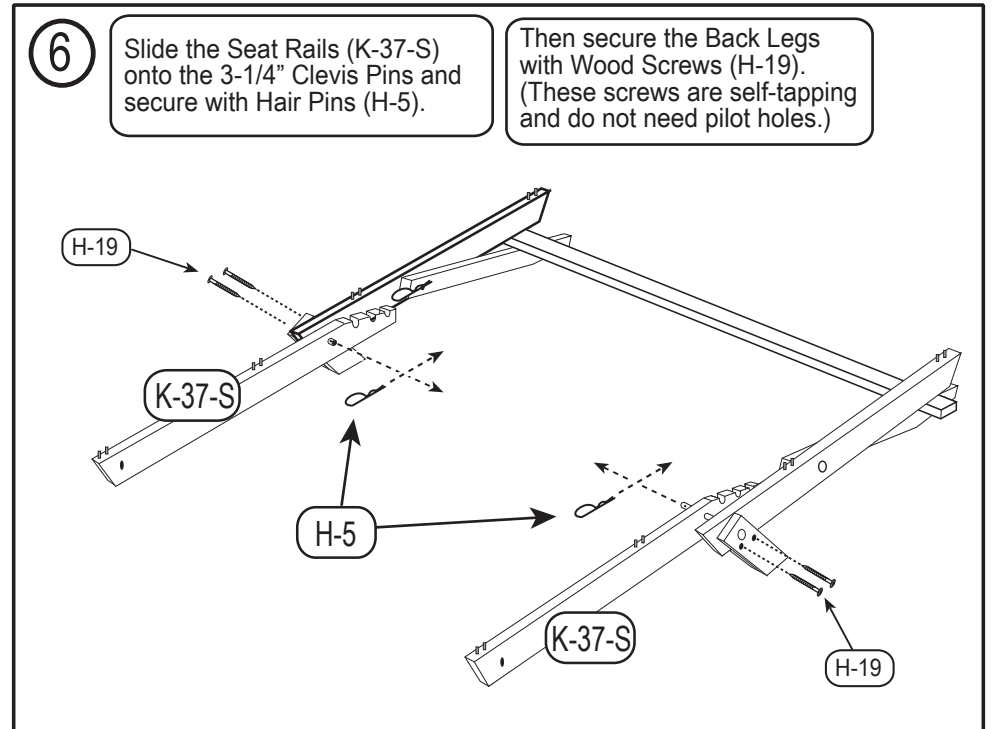
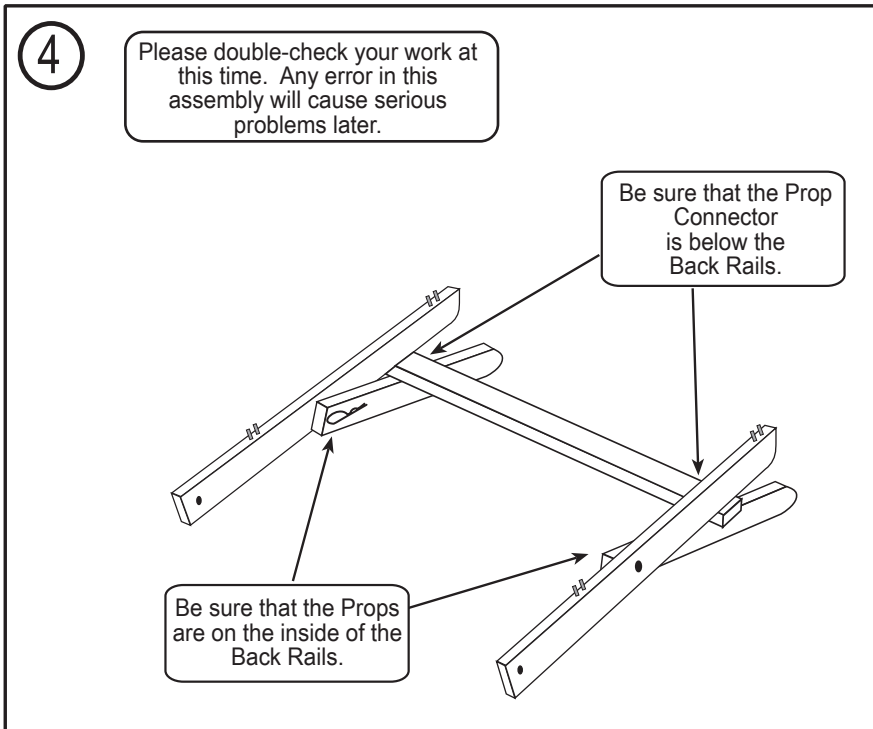
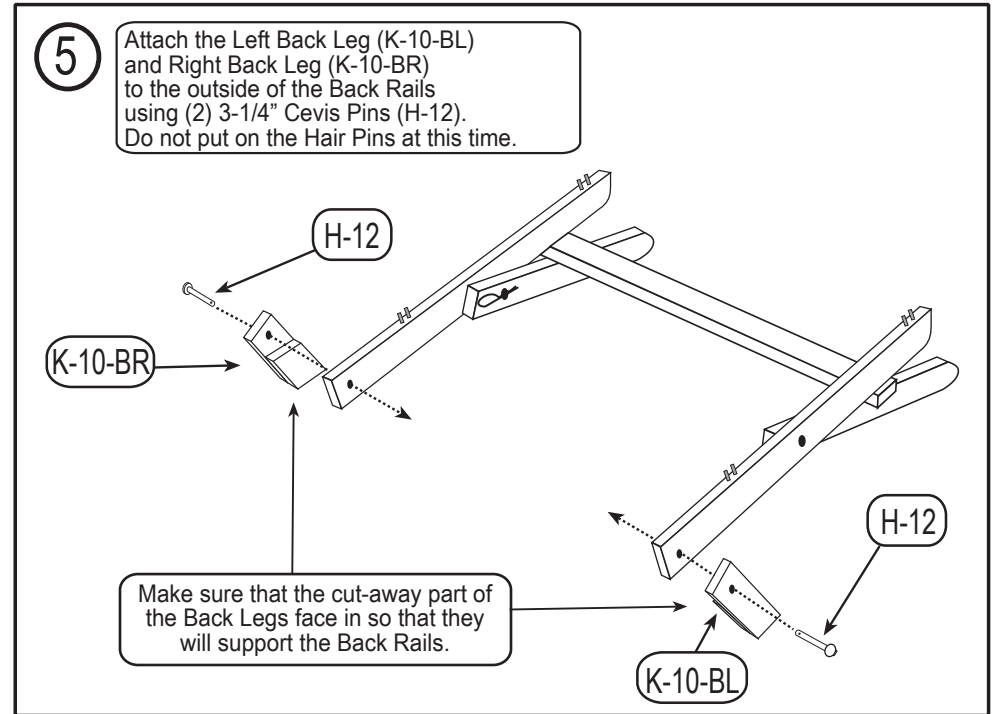
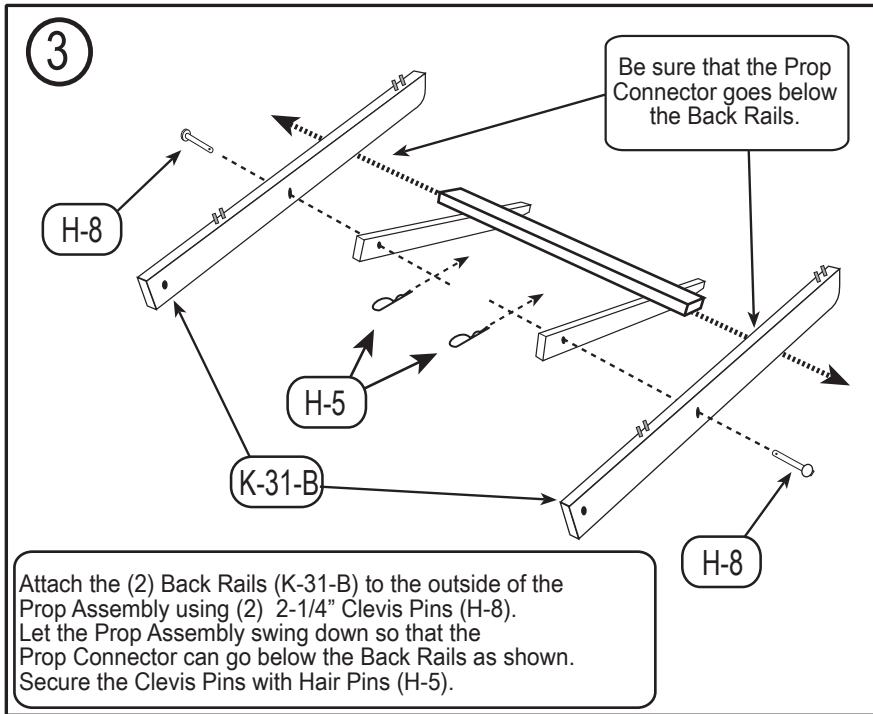


- K-9-LL LOUNGER LEG (2)
- K-15 PROP (2)
- K-24-L LOUNGER RAIL (2)
- K-31-B BACK RAIL (2)
- K-37-S SEAT RAIL (2)

2 Press the Prop Connector (K-44-P) onto the wood dowels on the Props (K-15) and attach with (2) Wood Screws (H-19).

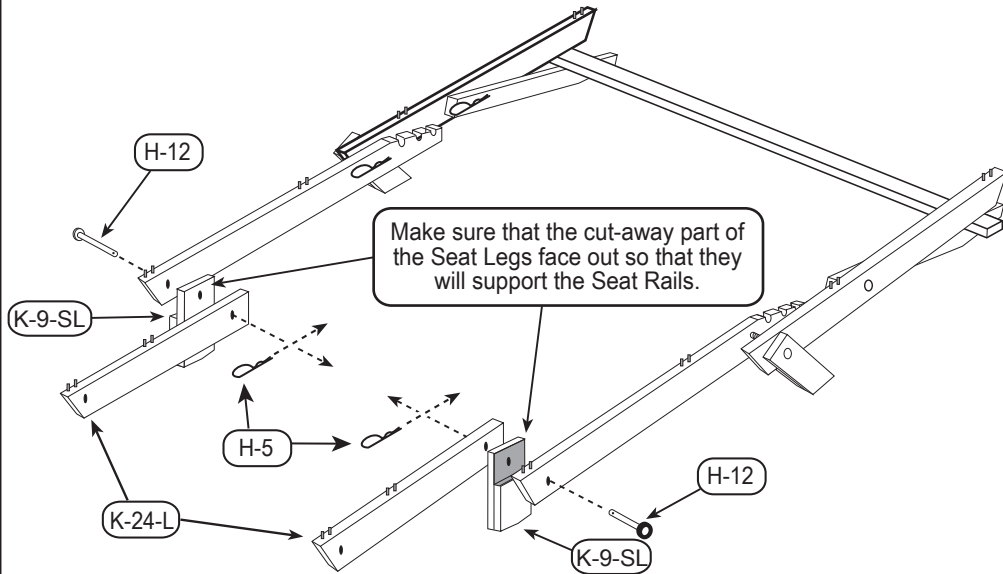


- H-19
- K-44-P
- K-15



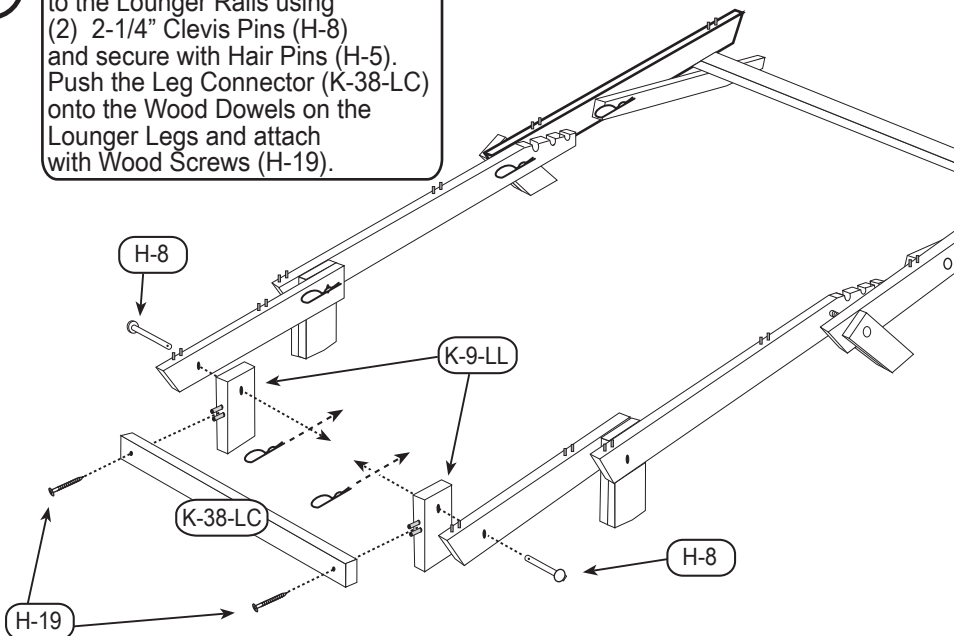
7

Attach the Seat Legs (K-9-SL) and the Lounger Rails (K-24-L) to the Seat Rails using (2) 3-1/4" Clevis Pins (H-12). Secure the Clevis Pins with Hair Pins (H-5).



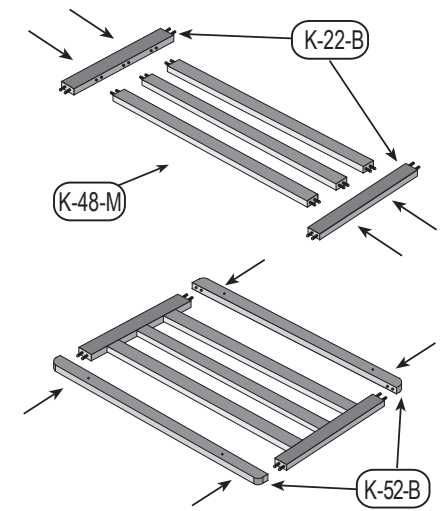
8

Attach the Lounger Legs (K-9-LL) to the Lounger Rails using (2) 2-1/4" Clevis Pins (H-8) and secure with Hair Pins (H-5). Push the Leg Connector (K-38-LC) onto the Wood Dowels on the Lounger Legs and attach with Wood Screws (H-19).



9

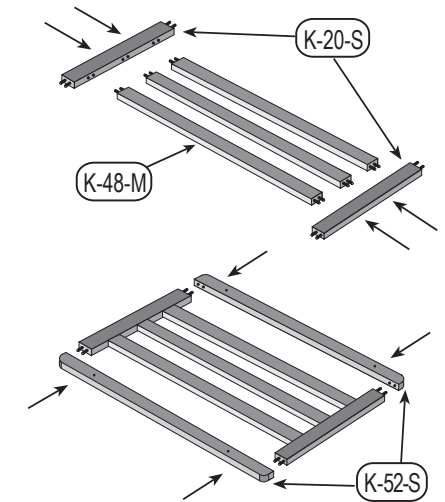
Using (3) Middle Slats (K-48-M) push the Wood Dowels into the edge holes on (2) Back Slat Caps (K-22-B).



Find the (2) Back Slats (K-52-B) and push them onto the Wood Dowels on the Back Slat Caps. The side labeled "BACK" faces down.

10

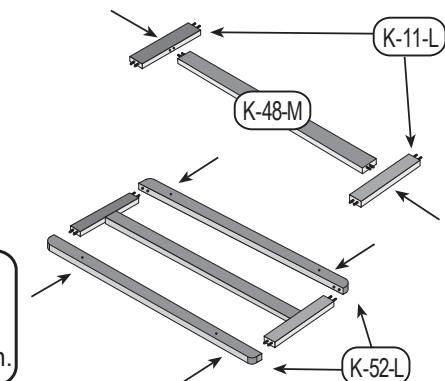
Using (3) Middle Slats (K-48-M) push the Wood Dowels into the edge holes on (2) Seat Slat Caps (K-20-S).



Find the (2) Seat Slats (K-52-S) and push them onto the Wood Dowels on the Seat Slat Caps. The side labeled "SEAT" faces down.

11

Use (1) Middle Slat (K-48-M) and push the Wood Dowels into the edge holes on (2) Lounger Slat Caps (K-11-L).

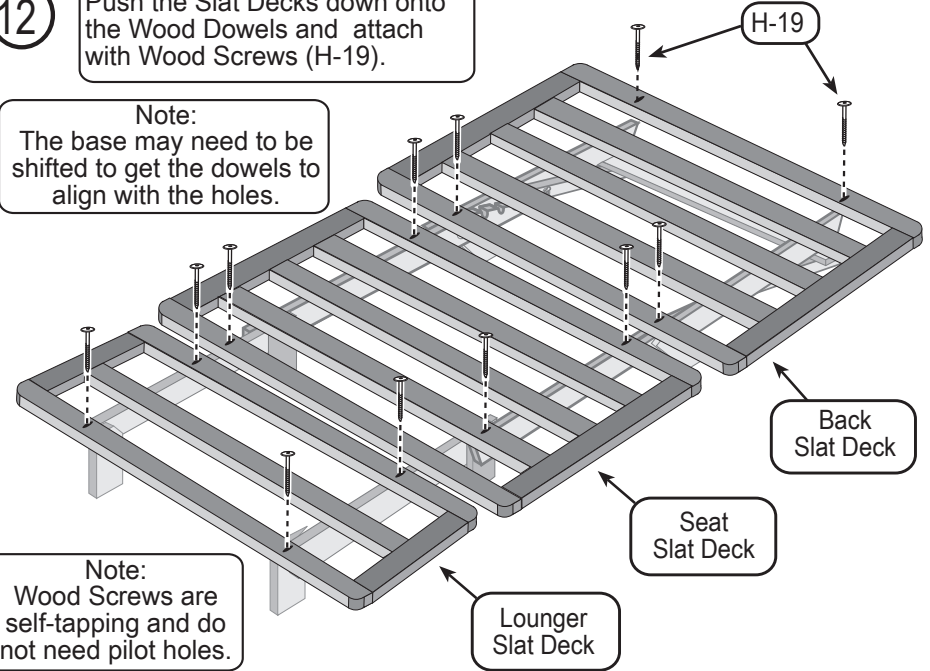


Find the (2) Lounger Slats (K-52-L) and push them onto the Wood Dowels on the Lounger Slat Caps. The side labeled "LOUNGE" faces down.

12

Push the Slat Decks down onto the Wood Dowels and attach with Wood Screws (H-19).

Note:
The base may need to be shifted to get the dowels to align with the holes.



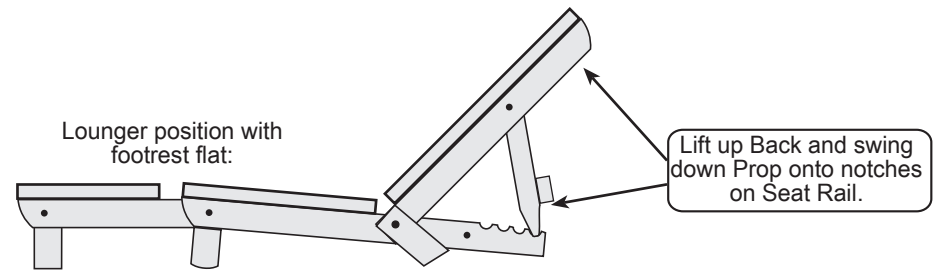
Note:
Wood Screws are self-tapping and do not need pilot holes.

Operation:

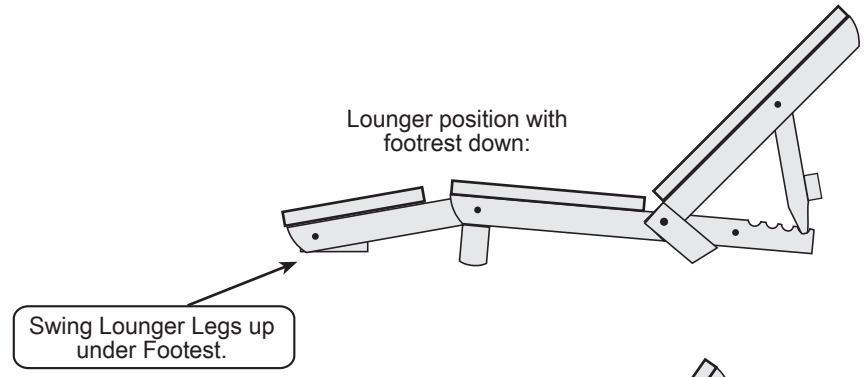
Bed position:



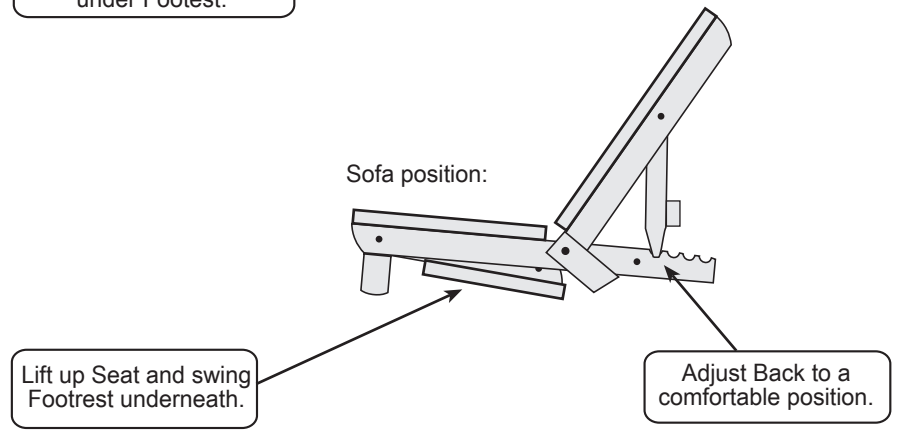
Lounger position with footrest flat:



Lounger position with footrest down:



Sofa position:



This futon frame is made with Tulip Poplar. Any green tint in the wood will change to light brown in a few weeks. This will happen in 20 to 30 minutes if placed in direct sunlight. Tulip Poplar can be left unfinished, clear finished, stained, or painted. I prefer the lighter stains over the darker ones because the wood is fairly porous. My favorite is a clear finish with no stain. Satin polyurethane (oil or water based) works well.

Painting: It is best to start with an interior primer and lightly sand before painting.

Staining: Lightly sand before staining. Wipe stain on with a rag until you get the desired color. If you are going to use a top coat (such as polyurethane), do not sand again until after the first coat, and then be careful not to sand away the stain.

Finishing: All finishes work well with Tulip Poplar. A simple wax finish over stain (Minwax for example) is easy. An oil finish such as Danish oil can be used. Or a clear top coat such as polyurethane works well to seal the wood. With polyurethanes, the first coat acts as a sanding sealer. So you should lightly sand (180 - 220 grit sandpaper) after the first coat, wipe the wood clean, and then build up coats for the desired effect.

Knockdown Frameworks, Inc. warrants all of its products for five years against any defects that are due to faulty materials or workmanship. We will promptly correct such defects by repair or replacement, at our option, without charge. This warranty covers product defects only and will expire five years after date of purchase by the original consumer purchaser, with proof of purchase required.

This warranty does not apply to damage caused by and resulting from misuse, neglect, accident, or improper operation, maintenance, storage, transportation, or handling of the product. This warranty is for the original consumer purchaser for residential use only and does not apply if the product is used in any commercial application (such as rental property). This warranty does not cover any incidental or consequential damages. If you feel that you have a claim under this warranty, please contact the store from which it was purchased. If this is not possible, call 706-543-9397 for advice on handling your claim.