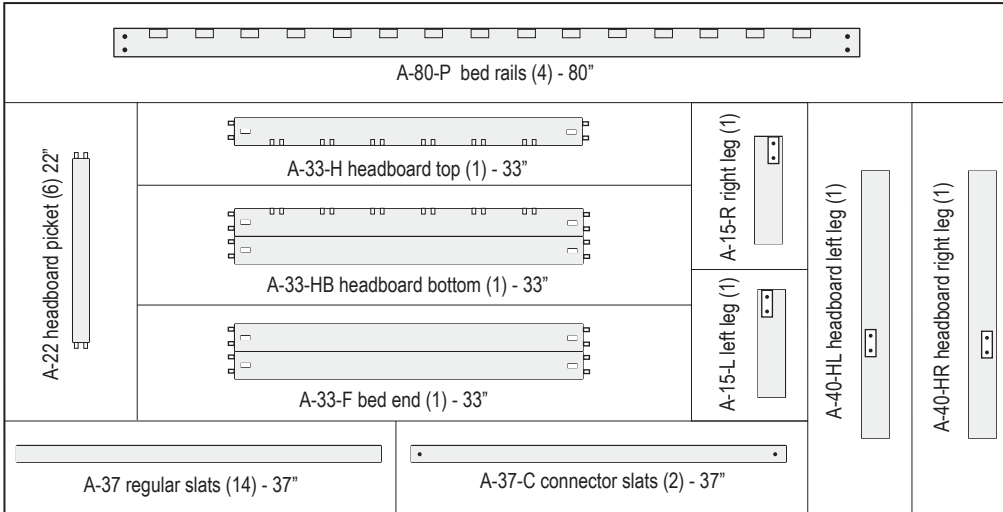






Instructions for the
CHARLESTON PLATFORM BED - XL -TWIN
 SKU# 3994-CP-XT

Manufactured by
 **kd frames**
 394 Dairy Pak Rd. • Athens, GA 30607
 kdframes.com • customerservice@kdframes.com

P A R T S L I S T

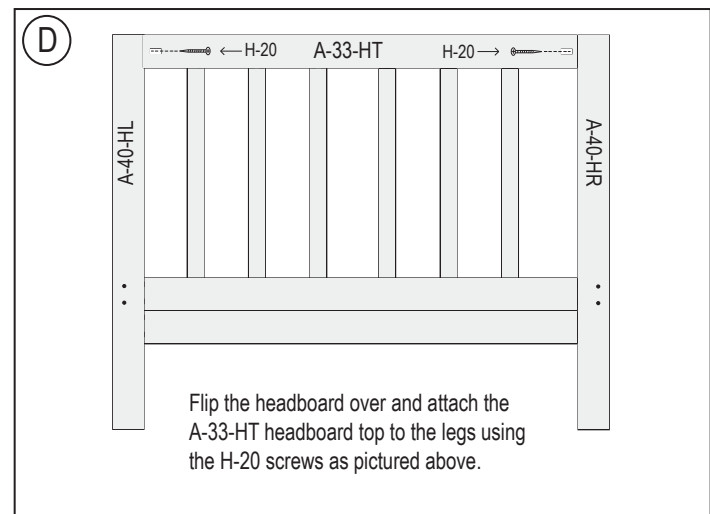
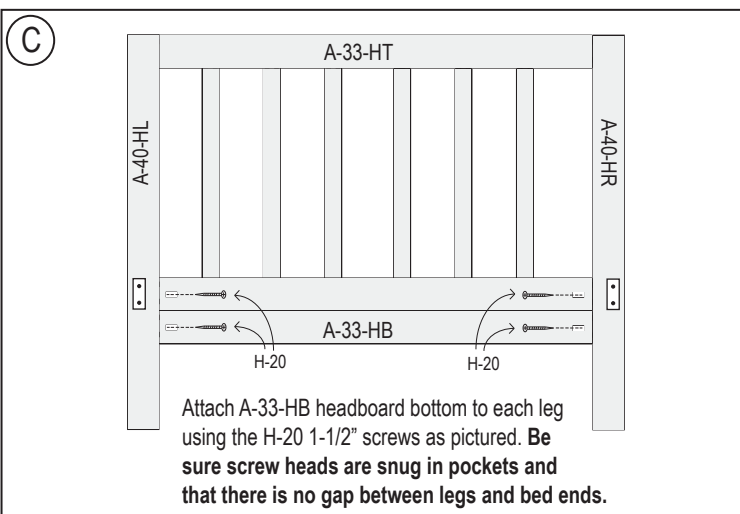
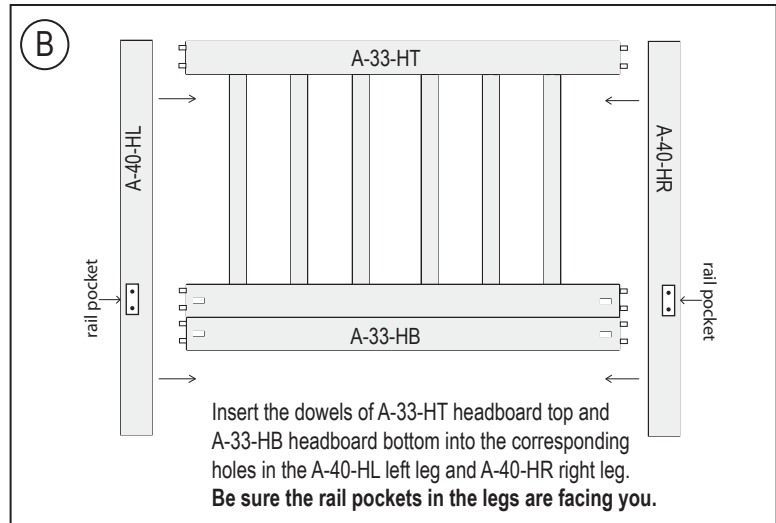
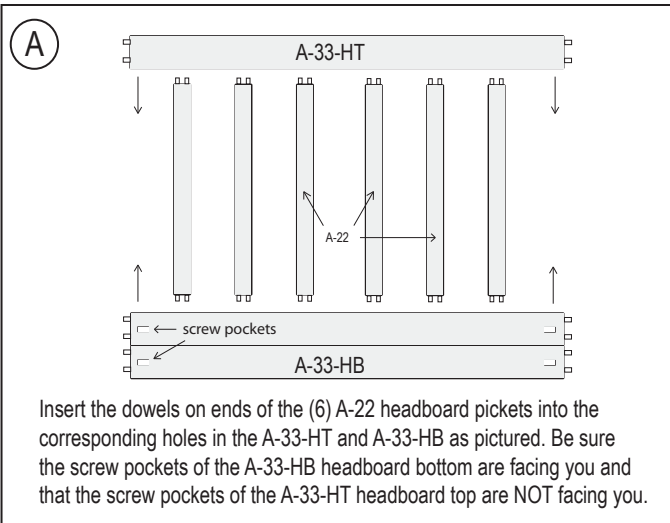


H A R D W A R E L I S T

H-20	1-1/2" WOOD SCREW		10
H-21	2 - 1/2" BOLT		12
H-3	CROSS DOWEL		12
H-10	HEX WRENCH		1
#2 PHILLIPS HEAD SCREW DRIVER REQUIRED			

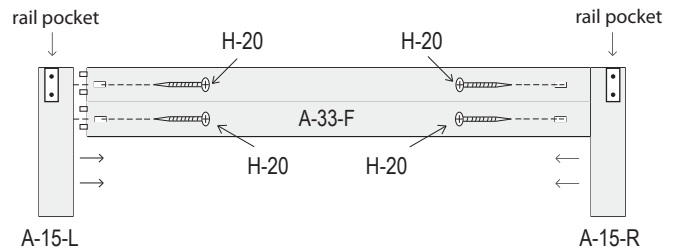
Tulip Poplar is a beautiful hardwood species that can have some slight coloration in parts of the tree. We make every attempt to preserve the prettiest wood for the parts of our frames that show. However, in an attempt not to waste perfectly good and sound poplar, some pieces of the frame will reflect this coloration. We use these pieces in parts of the frame that ultimately will be hidden, such as bed slats. Any green tint in the wood will change brown after several weeks or after exposure to direct sunlight for about 30 minutes. For more information on our products including **ASSEMBLY VIDEOS**, please visit us at kdframes.com.

STEP 1: Assemble the headboard



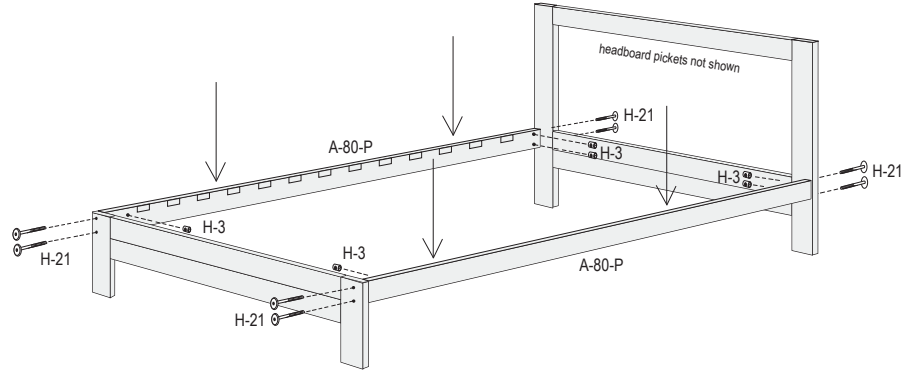
STEP 2: Assemble the footboard

Insert the dowels on the ends of the A-33-F bed end into the corresponding holes in the legs A-15-L and A-15-R. **Be sure the rail pockets on legs and the screw pockets on the A-33-F are on the same side.** Secure the connection with the H-20 wood screws as pictured.



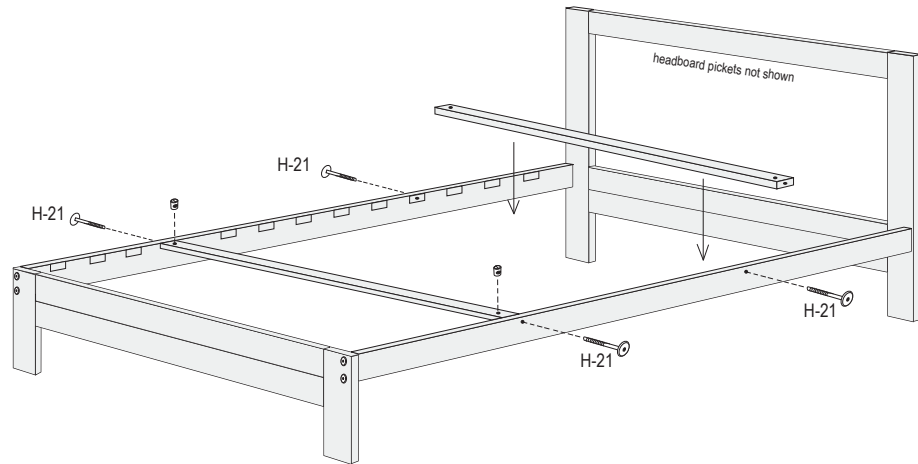
STEP 3: Insert and attach outside rails

Attach the (2) A-80-P outside rails using the H-21 bolts and H-3 cross dowels as pictured. Be sure the pockets on the rails face toward the inside of the bed. Tighten with H-20 hex wrench provided.



STEP 4: Install connector slats

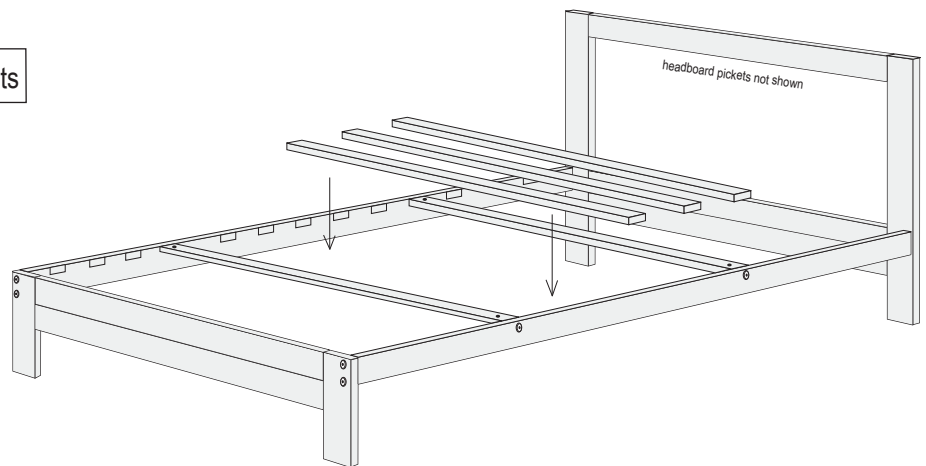
Install the (2) A-37-C connector slats in the pockets with holes in them. Attach using the H-21 bolts and H-3 cross dowels as pictured. **Hand tighten, do not use H-10 hex wrench at this time.**



STEP 5: Install regular slats and tighten bolts

Install all of the A-37 regular slats and tighten the (4) H-21 connector slat bolts with H-10 hex wrench provided.

IMPORTANT: Please retighten all H-21 bolts after 30 days!



Tulip Poplar can be left unfinished, clear finished, stained, or painted. I prefer the lighter stains over the darker ones because the wood is fairly porous. My favorite is a clear finish with no stain. Satin polyurethane (oil or water based) works well.

Painting: It is best to start with an interior primer and lightly sand before painting.

Staining: Lightly sand before staining. Wipe stain on with a rag until you get the desired color. If you are going to use a top coat (such as polyurethane), do not sand again until after the first coat, and then be careful not to sand away the stain.

Finishing: All finishes work well with Tulip Poplar. A simple wax finish over stain (Minwax for example) is easy. An oil finish such as Danish oil can be used. Or a clear top coat such as polyurethane works well to seal the wood. With polyurethanes, the first coat acts as a sanding sealer. So you should lightly sand (180 - 220 grit sandpaper) after the first coat, wipe the wood clean, and then build up coats for the desired effect.