

Instructions for the
CHARLESTON PLATFORM BED
TWIN
 SKU# 3993-CP-T





Manufactured by
 **kd frames**
 394 Dairy Pak Rd. • Athens, GA 30607
 kdframes.com • customerservice@kdframes.com

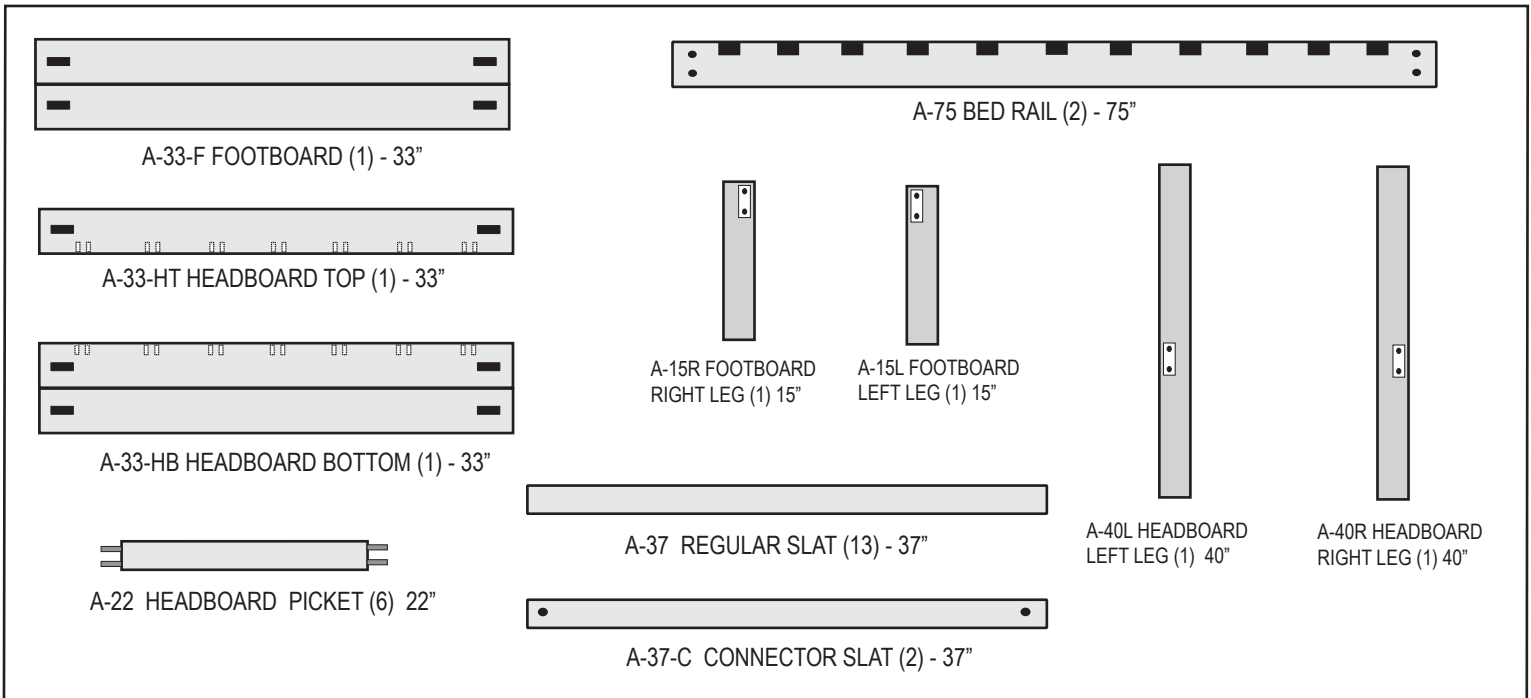
All wood is from the Tulip Poplar tree which can have dark streaks in the heartwood. We try to use this wood for parts that don't show in the final assembly. **For a video on how to assemble this frames, please visit kdframes.com.**

#2 PHILLIPS HEAD SCREWDRIVER REQUIRED

P A R T S L I S T

H A R D W A R E L I S T

H-21	2 - 1/2" BOLT		12
H-3	CROSS DOWEL		12
H-10	HEX WRENCH		1
H-20	1 - 1/2" WOOD SCREW		10



This bed frame is made with Tulip Poplar. Any green tint in the wood will change to light brown in a few weeks. This will happen in 20 to 30 minutes if placed in direct sunlight. Tulip Poplar can be left unfinished, clear finished, stained, or painted. Satin polyurethane (oil or water based) works well.

Painting: It is best to start with an interior primer and lightly sand before painting.

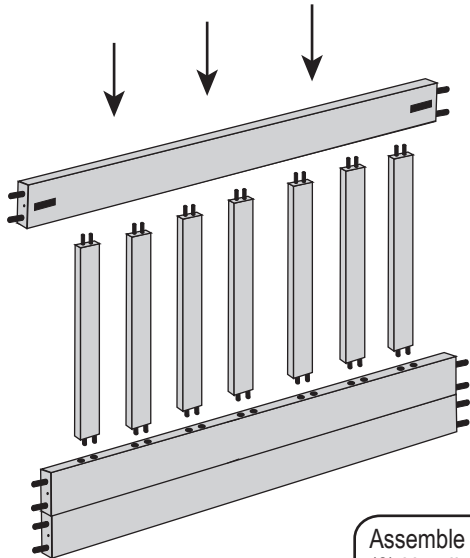
Staining: Light sand before staining. Wipe stain on with a rag until you get the desired color. If you are going to use a top coat (such as polyurethane), do not sand again until after the first coat, and then be careful not to sand away the stain.

Finishing: All finishes work well with Tulip Poplar. A simple wax finish over stain (Minwax for example) is easy. An oil finish such as Danish oil can be used. Or a clear coat such as polyurethane works well to seal the wood. With polyurethanes, the first coat acts as a sanding sealer. You should lightly sand (180-220 grit sandpaper) after the first coat, wipe the wood clean, and then build up coats for the desired effect.

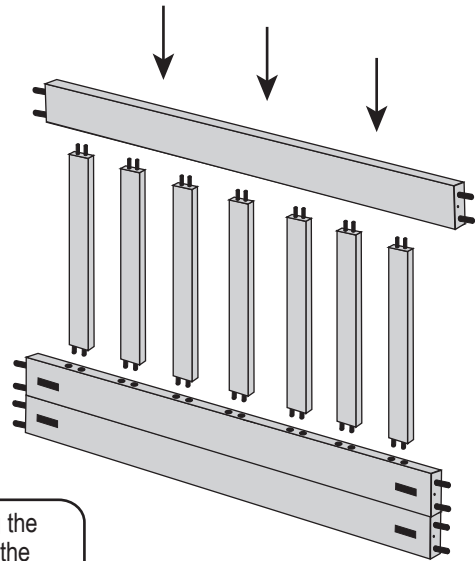
Knockdown Frameworks, Inc. warrants all of its products for five years against any defects that are due to faulty materials or workmanship. We will promptly correct such defects by replacement without charge. This warranty covers product defects only and will expire five years after date of purchase by the original consumer purchaser, with proof of purchase required. This warranty does not apply to damage caused by and resulting from misuse, neglect, accident, or improper operation, maintenance, storage, transportation, or handling of the product. This warranty is for the original consumer purchaser for residential use only and does not apply if the product is used in any commercial application (such as rental property). This warranty does not cover any incidental or consequential damages. If you feel that you have a claim under this warranty, please contact us at customerservice@kdframes.com.

① HEADBOARD ASSEMBLY

BACK VIEW



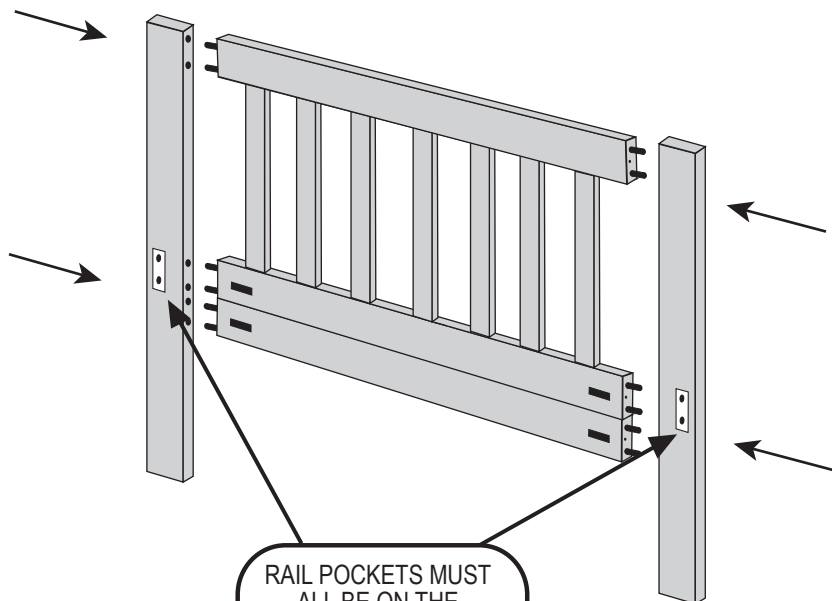
FRONT VIEW



Assemble the headboard by pushing the (6) Headboard Pickets into holes on the Headboard Bottom (A-33-HB) . Then push the Headboard Top (A-33-HT) down onto the pickets

②

Attach the Headboard Legs (A-40-L and A-40-R) to the Headboard by pushing them onto the dowels. Be sure that the rail pockets are all facing the same side. Then use (6) 1 - 1/2" Wood Screws (H-20) to attach the Legs.



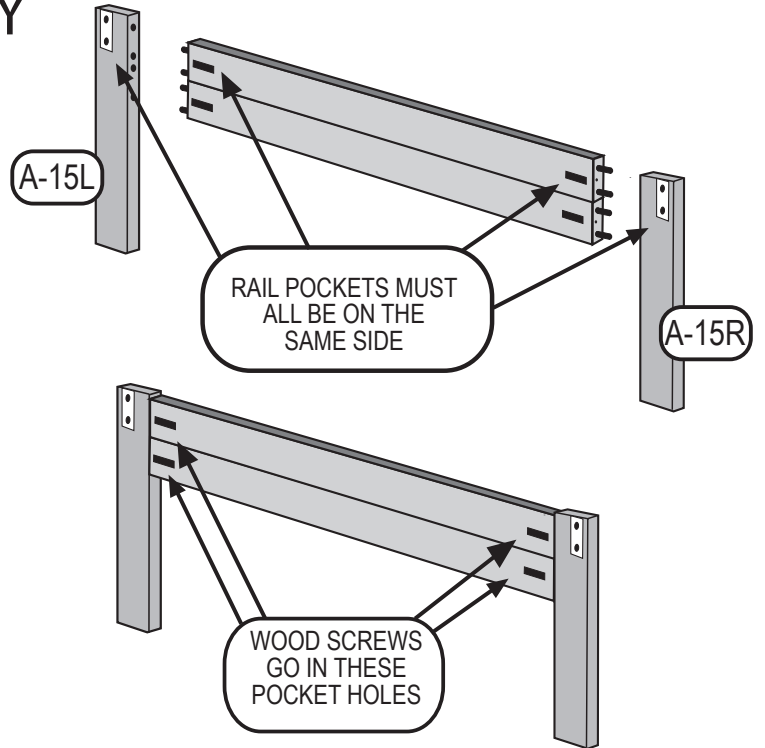
RAIL POCKETS MUST ALL BE ON THE SAME SIDE

3

FOOTBOARD ASSEMBLY

Align the Left Footboard Leg (A-15L) and Right Footboard Leg (A-15R) so that the rail pockets are on the front. Turn the Footboard (A-33-F) so that the pocket holes are facing the front. Then push the dowels into the holes on the legs.

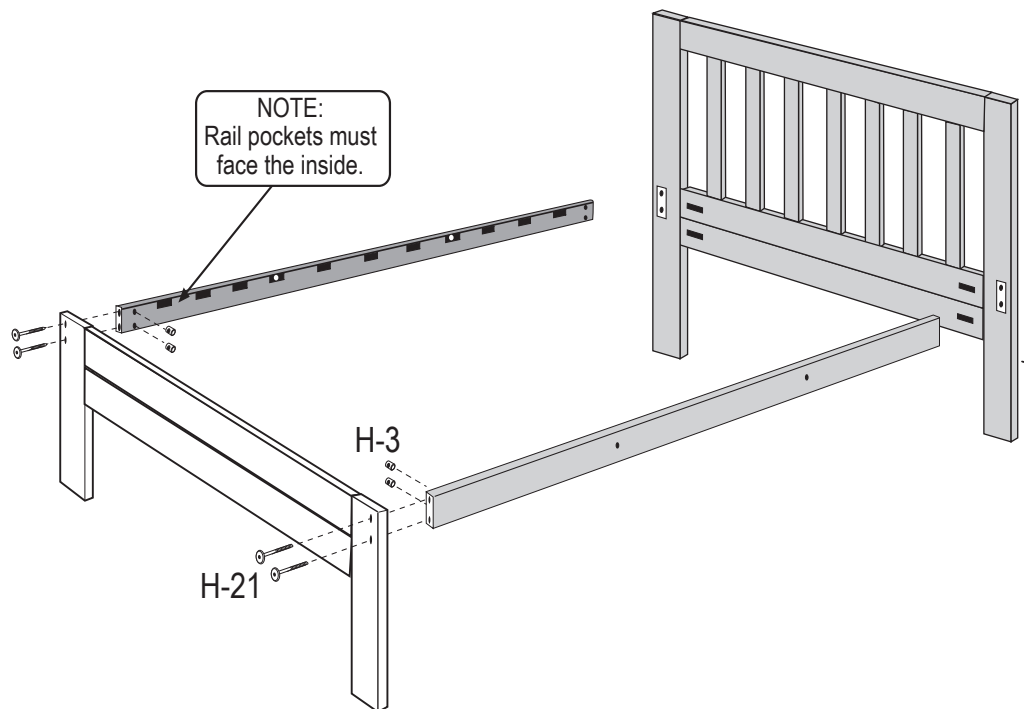
Use a phillips screw driver to attach the Legs to the Bed End using (4) 1 - 1/2" Wood Screws (Black) (H-20).



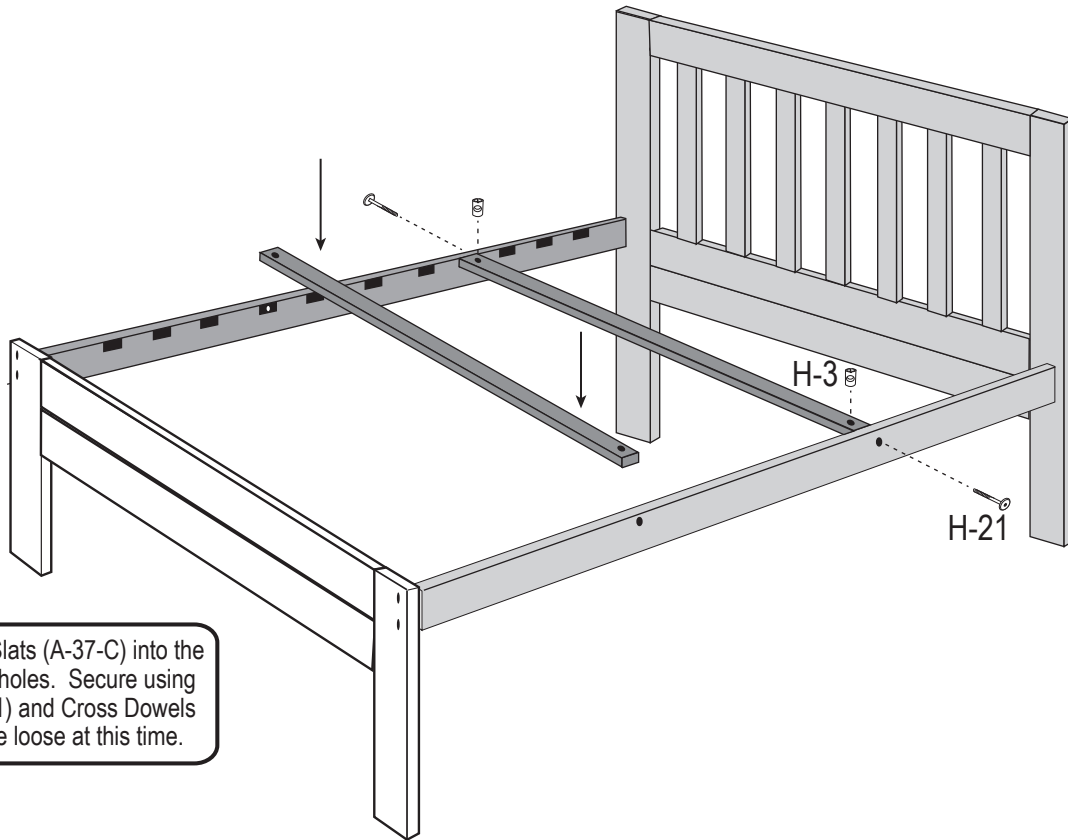
4

Use 2-1/2" Bolts (H-21) and Cross Dowels (H-3) to attach Bed Rails (A-75) to the Headboard and Footboard. The pockets in the Bed Rails should be facing in and open to the top of the Rails.

Leave all bolts loose until everything is attached. Then tighten all bolts.

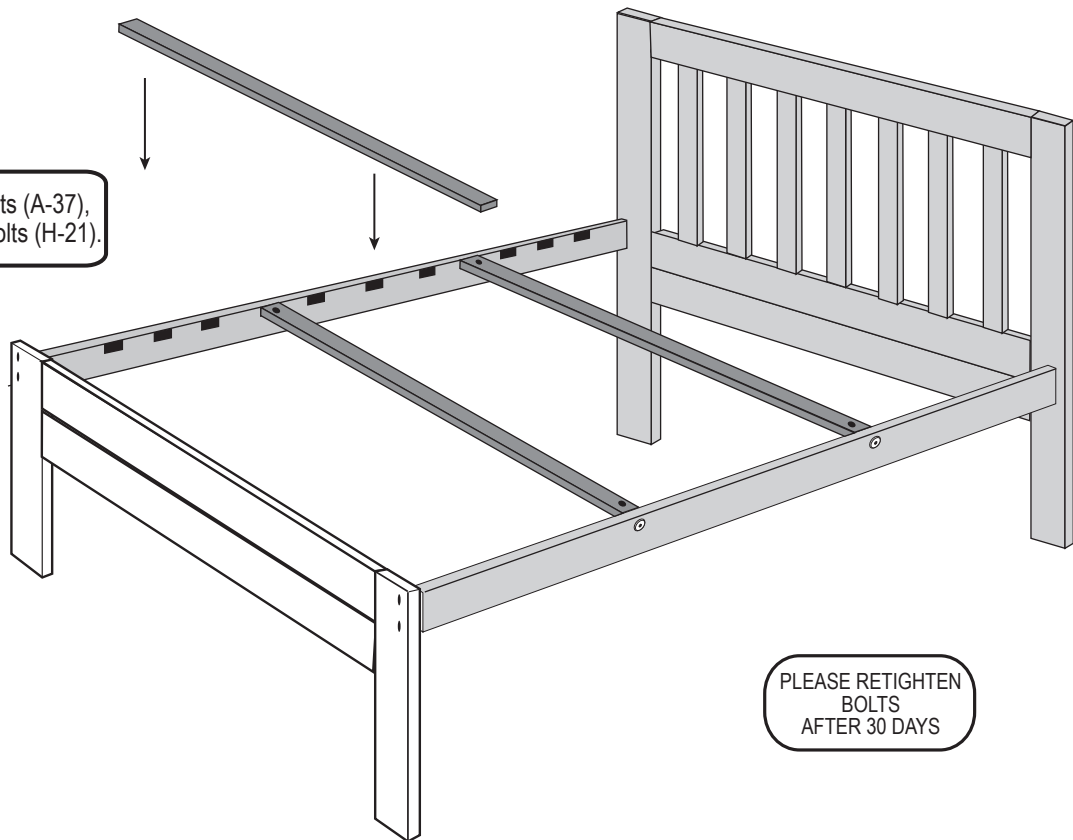


5



Insert Connector Slats (A-37-C) into the pockets that have holes. Secure using 2 - 1/2" Bolts (H-21) and Cross Dowels (H-3). Leave these loose at this time.

6



Next insert all Regular Slats (A-37), then tighten the 2 - 1/2" Bolts (H-21).

PLEASE RETIGHTEN
BOLTS
AFTER 30 DAYS