

Instructions for the NOMAD PLUS PLATFORM BED - QUEEN

SKU# 2871-NP-Q



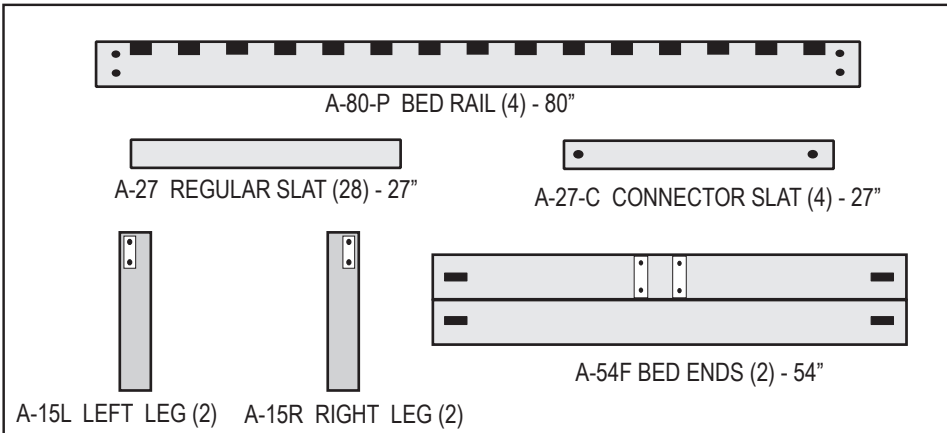
Manufactured by

kd frames

394 Dairy Pak Rd. • Athens, GA 30607
kdframes.com • customerservice@kdframes.com

All wood is from the Tulip Poplar tree which can have dark streaks in the heartwood. We try to use this wood for parts that don't show in the final assembly.

PARTS LIST



FOR ASSEMBLY VIDEO PLEASE VISIT
kdframes.com

HARDWARE LIST

Part	Description	Quantity
H-21	2 - 1/2" BOLT	24
H-3	CROSS DOWEL	24
H-10	HEX WRENCH	1
H-20	1 - 1/2" WOOD SCREW	8

#2 PHILLIPS HEAD SCREW DRIVER REQUIRED

1

Align a Left Leg (A-15L) and Right Leg (A-15R) so that the rail pockets are on the front. Turn the Bed End (A-54F) so that the pocket holes are facing the front. Then push the dowels into the holes on the legs. Repeat for the other Bed End.

Use a phillips screw driver to attach the Legs to the Leg Connector using (4) 1 - 1/2" Wood Screws (H-20). Repeat for the other Bed End.

Knockdown Frameworks, Inc. warrants all of its products for five years against any defects that are due to faulty materials or workmanship. We will promptly correct such defects by repair or replacement, at our option, without charge. This warranty covers product defects only and will expire five years after date of purchase by the original consumer purchaser, with proof of purchase required.

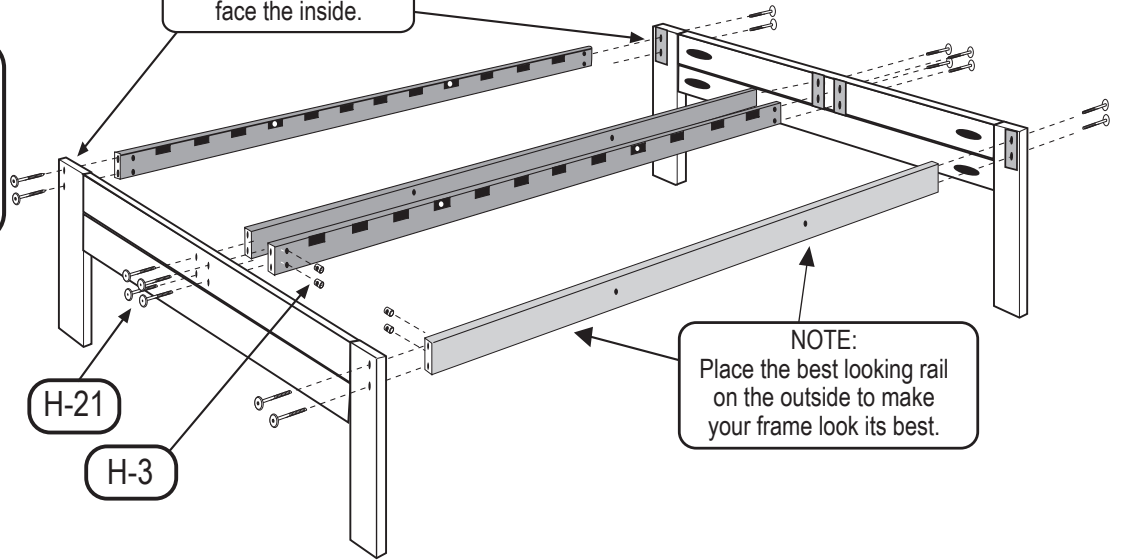
This warranty does not apply to damage caused by and resulting from misuse, neglect, accident, or improper operation, maintenance, storage, transportation, or handling of the product. This warranty is for the original consumer purchaser for residential use only and does not apply if the product is used in any commercial application (such as rental property). This warranty does not cover any incidental or consequential damages. If you feel that you have a claim under this warranty, please contact the store from which it was purchased. If this is not possible, call 706-543-9397 for advice on handling your claim.

2

Use 2 - 1/2" Bolts (H-21) and Cross Dowels (H-3) to attach (4) Bed Rails (A-80-P) to the Bed Ends. The pockets in the Bed Rails should be facing in and open to the top of the Rails.

Leave all bolts loose until everything is attached. Then tighten all bolts.

NOTE:
Rail pockets must face the inside.

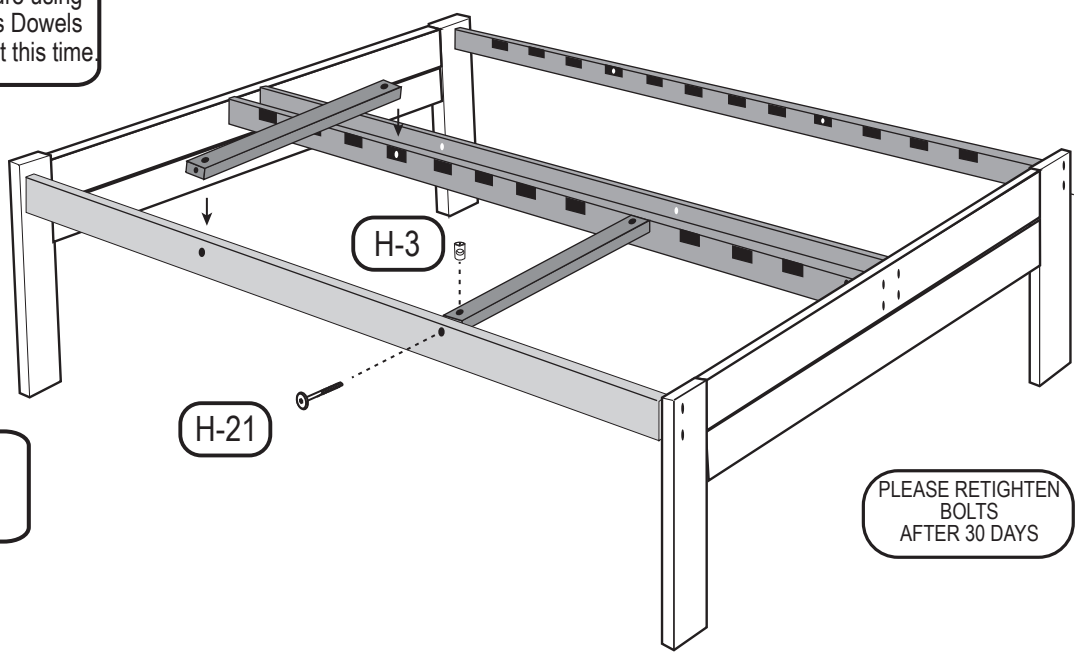


NOTE:
Place the best looking rail on the outside to make your frame look its best.

3

Insert Connector Slats (A-27-C) into the pockets that have holes. Secure using 2 - 1/2" Bolts (H-21) and Cross Dowels (H-3). Leave the bolts loose at this time.

Next insert all Regular Slats (A-27), then tighten the 2 - 1/2" Bolts (H-21).



PLEASE RETIGHTEN BOLTS AFTER 30 DAYS

This bed frame is made with Tulip Poplar. Any green tint in the wood will change to light brown in a few weeks. This will happen in 20 to 30 minutes if placed in direct sunlight. Tulip Poplar can be left unfinished, clear finished, stained, or painted. I prefer the lighter stains over the darker ones because the wood is fairly porous. My favorite is a clear finish with no stain. Satin polyurethane (oil or water based) works well.

Painting: It is best to start with an interior primer and lightly sand before painting.

Staining: Lightly sand before staining. Wipe stain on with a rag until you get the desired color. If you are going to use a top coat (such as polyurethane), do not sand again until after the first coat, and then be careful not to sand away the stain.

Finishing: All finishes work well with Tulip Poplar. A simple wax finish over stain (Minwax for example) is easy. An oil finish such as Danish oil can be used. Or a clear top coat such as polyurethane works well to seal the wood. With polyurethanes, the first coat acts as a sanding sealer. So you should lightly sand (180 - 220 grit sandpaper) after the first coat, wipe the wood clean, and then build up coats for the desired effect.