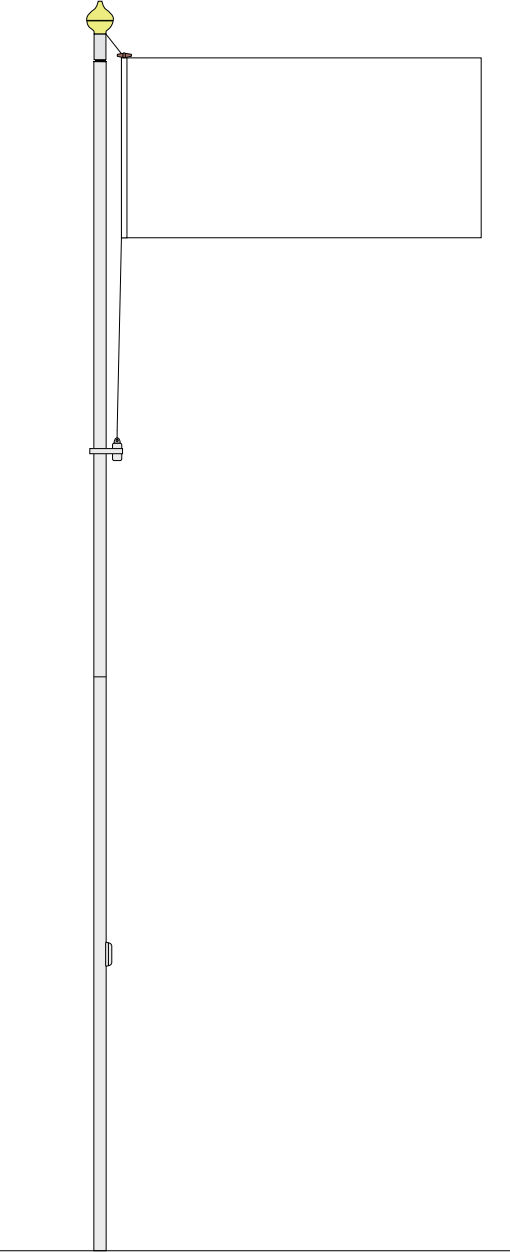


Installation Guide



Parts Checklist

- A 2 x Aluminium Powder Coated Poles (3m)
- B 1 x Ground Sleeve & Cap (750mm x 64mm)
- C 1 x Joint (60mm x 350mm)
- D1 1 x Gold Finial Or
- D2 1 x Mushroom Finial
- E 1 x Fairlead & Saddle (54mm)
- F 2 x Carabiner Clip
- G 1 x Bob Weight (671g)
- H 1 x Tek Screw

A



B



C



D1



D2



E



F



G



H



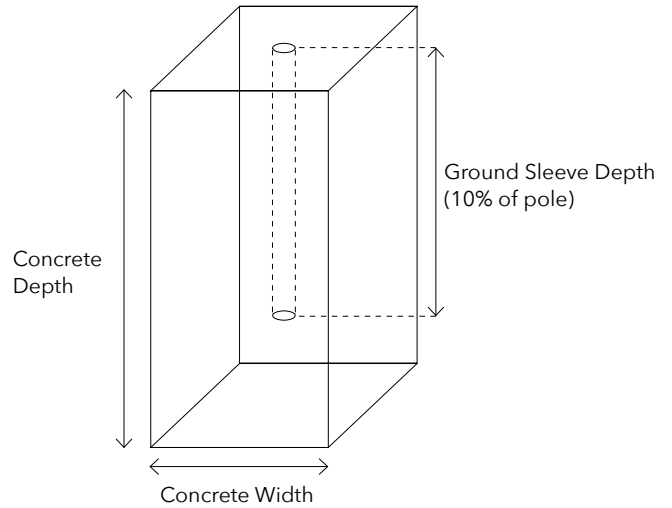
Step 1

- Dig foundation to required size see diagram (larger if ground is very sandy)
- Order / mix concrete and place into hole (25-30 Newton - 50 slump - 20mm aggregate).

Ensure cap is fitted to ground sleeve to stop concrete from filling the sleeve.

- Insert ground sleeve vertically into concrete, capped end first. Use spirit level to ensure ground sleeve is vertical. You may prefer to hold the ground sleeve in position with weighted cross batons.
- Leave foundation to set for several days.

Ground Sleeve Installation - See Below (Flagpole Dimensions)



	Flagpole Dimensions
Flagpole Length (m)	6
Material	Aluminium / Glassfibre
Butt Diameter Ø (mm)	60
Top Diameter Ø (mm)	60
Ground Sleeve Size (mm)	750
Sections (pieces)	2
Recommended Landscape Flag Size (mm)	1830 x 910
Foundation Required (w ² x d) (mm)	500 x 1000
Maximum Wind Speeds (mph Flagged)	25 mph

NB: We recommend that the concrete used in the bases should be of a C30 quality as normally purchased from a ready mixed concrete supplier. If purchaser is to mix concrete up themselves then the ratio of the mix i.e. Cement/Sand/Fine Aggregate must 1:2:3 which results in a very strong mix. Any deviation from the above advise may result in warranty claims being invalid. If in any doubt please contact supplier for clarification.

Step 2

Unravel the halyard from the end of the bottom pole section and thread through the pole joint. Insert the joint into bottom pole section and slide up to shoulder. Pull all the halyard through.



Step 3

Placing the pole on a downward angle, thread all of the loose halyard through the pole. Insert top section onto the joint and slide up to the shoulder.



Step 4

Starting from the base, thread the halyard through the central hole of the fairlead and saddle. The halyard should be visible through the hole running horizontally through the fairlead and saddle. Using a screwdriver or similar tool, push the halyard through. Pull the rest of the halyard through.



Step 5

Insert the fairlead and saddle into the top section of the pole and secure in place with the tek screw.



Step 6

Tie the fixed clip to the end of the halyard, make sure that it is secure with at least two knots.



Step 7

Attach the fixed clip to the bob weight and slide the bob weight over the pole.



Step 8

Screw the gold finial or the mushroom finial on to the fairlead & saddle and hand tighten. *(It is recommended that the pole is raised at this point. Slide the pole into the ground sleeve ensuring that the concrete has completely set)*



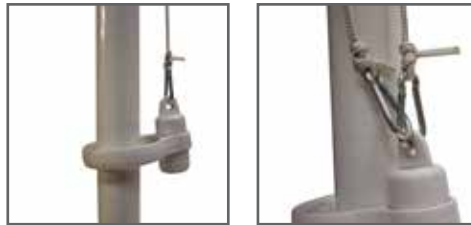
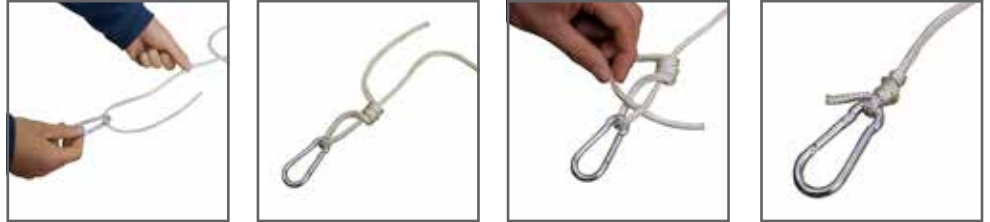
Step 9

Open the door of the flagpole using the key provided. Release the halyard from the spring loaded mechanism. Pull the halyard downwards, threading the surplus halyard into the pole cavity, until the halyard is taught (weight off the ground)



Step 10

To attach the flag, thread the halyard attached to the end of the flag through the carabiner clip. Secure the halyard to the carabiner by first creating a small loop, then wrapping the remaining halyard around itself 3 times. Thread the remaining halyard through the loop and pull tight to secure. When secure attach the carabiner clip onto the existing carabiner already on the bob weight.



Step 11

Create a double loop knot in the halyard. Double the halyard back on itself to create a horizontal loop, pull the halyard down behind the first loop and create a vertical loop. Bring the first loop around behind the vertical loop and pull back through to create a double loop knot. Place the toggle through the slip knot and pull tight.



Step 12

Hoist the flag until it reaches the top of the pole. Secure the halyard in the sprung loaded mechanism.



Step 13

Place the remaining halyard down into the pole cavity, place the door back onto the pole and lock to secure.

