



**NAME:** \_\_\_\_\_ **PHONE #** \_\_\_\_\_

**DATE** \_\_\_\_\_

## Measuring For Equipment Covers

### MEASURE YOUR :

LENGTH = \_\_\_\_\_

WIDTH = \_\_\_\_\_

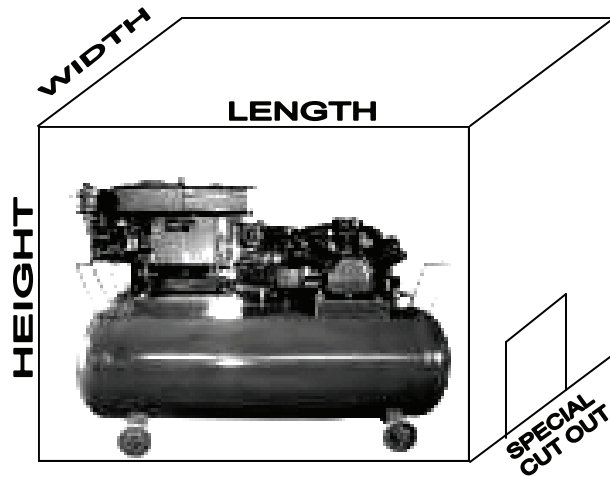
HEIGHT = \_\_\_\_\_

ARE THERE ANY SPECIAL CUT OUTS YOU NEED?

INCHES FROM EDGE= \_\_\_\_\_

HEIGHT OF CUT OUT= \_\_\_\_\_

WIDTH OF CUT OUT= \_\_\_\_\_



---

---

---

---

---

---

---

---

### SPECIAL INSTRUCTIONS:

### CUSTOM DECK COVERS:

We use very heavy duty industrial tarping that has no stretch. Although no hardware is necessary in keeping the hem down, hems can be finished with GROMMETS or by sewing heavy LEADLINE in the seam.

Give us the outside tight measurements and what the side drop would be.

Be sure to include the top measurement if it differs from the bottom.

