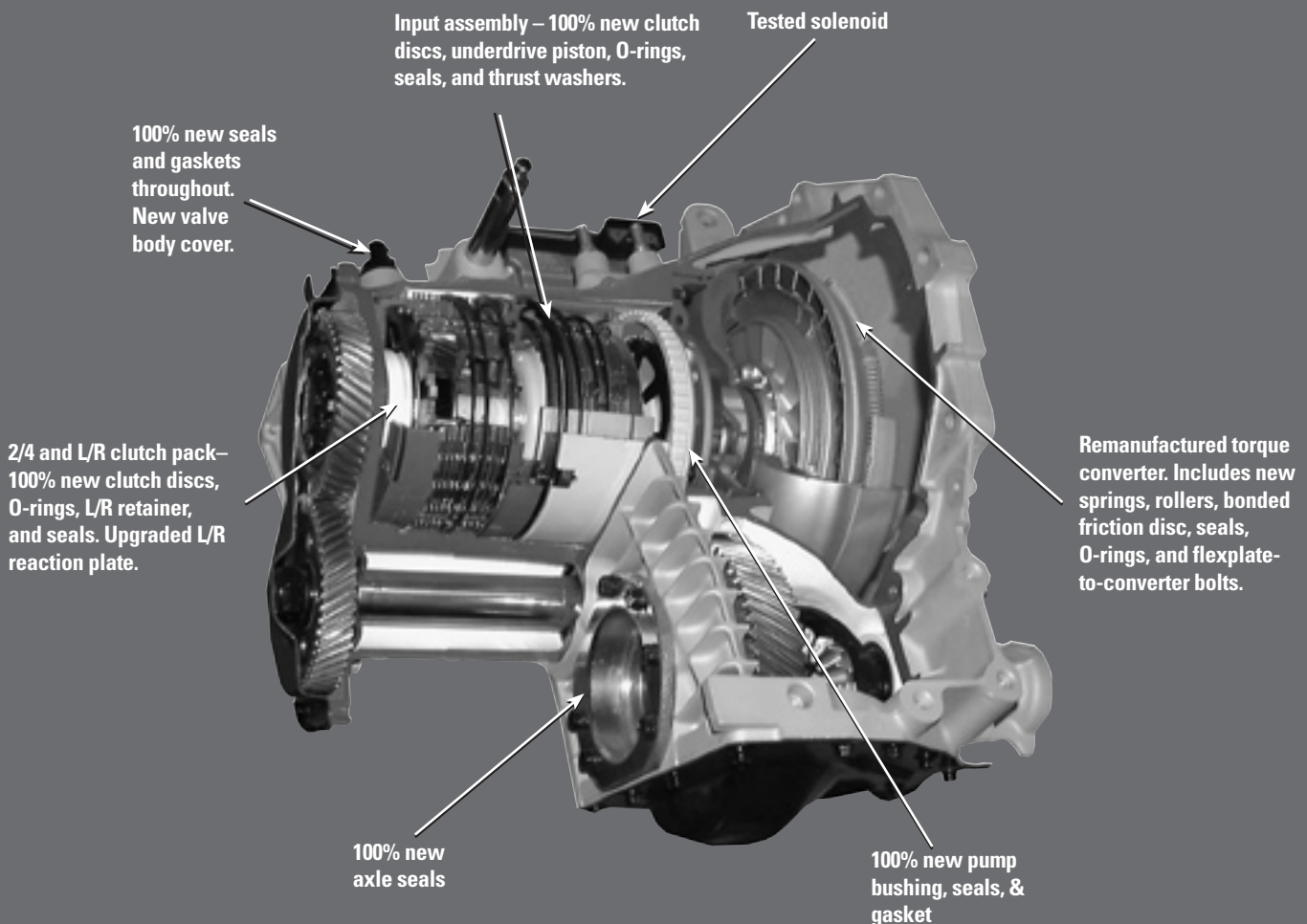


AUTHENTIC PERFORMANCE™



THE MOPAR® ADVANTAGE TRANSAXLE

- All transaxles/transmissions are remanufactured to meet O.E. performance specifications
- All units incorporate performance and durability upgrades using only O.E. or O.E. equivalent parts and components
- 100% end of line functional testing



AUTOMATIC TRANSAXLES

ATTENTION INSTALLER:

Prior to installing this transaxle, verify that the TRS connector on both the vehicle and the transaxle match.

For vehicles equipped with a jumper connector between the vehicle harness and the transaxle, it may be necessary to remove the jumper for blade type TRS terminals.

TRANSAXLE PART NUMBERS WITH MY 1998 PIN TYPE TRS CONNECTORS:

MODEL YEAR	ENGINE	REMAN PART NO.
1998	3.3L	R4897851AC
1998	3.8L	R4897852AC
1998	3.8L 4x4	R4897853AC
1998	2.4L	R4897485AB
1998	2.5L	R4897327AB
1998	2.0L	R4897856AC
1998	3.0L	R4897859AD

TRANSAXLE PART NUMBERS WITH MY 1999 BLADE TYPE TRS CONNECTORS:

MODEL YEAR	ENGINE	REMAN PART NO.
1999	2.0L	R5013515AB
1999	3.0L	R5013904AC
1999	3.3L	R5013911AC
1999	3.8L	R5013912AC
1999	3.8L 4x4	R5013914AC
1999	2.4L	R5013915AB
1999	2.5L	R5013916AB
1999	2.0L	R5013917AB

In 1999, Chrysler transaxles switched to a blade style Transmission Range Selector (TRS) terminal. Prior to this change, the TRS was a pin style connector.

NOTE: The easiest way to determine which transaxle is required is by looking at the terminal style of the TRS for the transaxle you are working on.

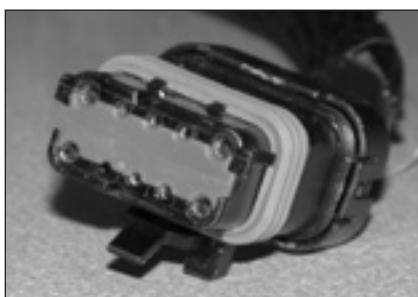
CAUTION: 1998 and 1999 TRSs are not interchangeable. There is a difference in their sizes (through case diameter).

After verifying the type of TRS connector on the transaxle in the vehicle, select the appropriate Reman number from the tables above.

NOTE: If the 1999 vehicle had a carryover 1998 transaxle, the harness jumper must be removed so the vehicle harness will connect with the 1999 transaxle TRS. JA models did not use a harness jumper, and a 1999 splice kit is required.



Blade Type Terminal on Harness



Pin Type Terminal on Harness



Jumper Harness Part Number 05093968AA

AUTOMATIC TRANSAXLES

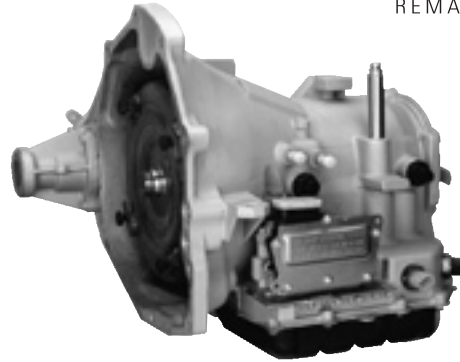


3 YEARS
100,000 MILES

REMAN POWERTRAIN WARRANTY

PRODUCT FEATURES:

- New O-rings
- New seals
- New clutches and plates
- Every transaxle is 100% dyno-tested to Chrysler LLC O.E. specifications and the torque converter is included



PASSENGER CARS AND MINIVANS

MODEL YEAR	APPLICATION	TRANS.	GEAR RATIO	ENGINE	O.E. PART NO.	REMAN PART NO.
2006	CS Body w/AWD	41TE	2.95	3.5L	05138354AD	R5138354AD
	CS Body w/FWD	41TE	2.95	3.5L	05138366AD	R5138366AD
	JR Body	41TE	2.69	2.7L	05144313AD	R5144313AD
	JR Body	40TE	2.69	2.4L	05144312AD	R5144312AD
	PT Body	40TE	2.69	2.4L	05144312AD	R5144312AD
	PT Body	41TE	2.68	2.4L Turbo	05145343AD	R5145343AD
	RS Body	41TE	2.38	3.8L	05138422AD	R5138422AD
	RS Body	41TE	2.49	3.3L	05138317AD	R5138317AD
2005	CS Body w/AWD	41TE	2.95	3.5L	05138354AD	R5138354AD
	CS Body w/FWD	41TE	2.95	3.5L	05138366AD	R5138366AD
	JR Body	41TE	2.69	2.7L	05144313AD	R5144313AD
	JR Body	40TE	2.69	2.4L	05144312AD	R5144312AD
	PT Body	40TE	2.69	2.4L	05144312AD	R5144312AD
	RS Body	41TE	2.38	3.8L	05138422AD	R5138422AD
	RS Body	41TE	2.49	3.3L	05138317AD	R5138317AD
2004	CS Body w/AWD	41TE	—	3.5L	05102709AD	R5102709AD
	CS Body w/FWD	41TE	—	3.5L	05102413AD	R5102413AD
	JR Body	41TE	2.69	2.7L	05018922AF	R5018922AF
	LH Body w/FWD	42LE	—	2.7L	05104380AB	R5104380AB
	LH Body w/FWD	42LE	—	3.5L	05097862AD	R5096862AC
	PL Body	41TE	2.69	2.0L	05115330AA	R5115330AA
	PT Body	41TE	2.81	2.0L	05095550AA	R5095550AA
	PT Body	41TE	2.68	2.4L	05093424AD	R5093424AD
	PT, JR Bodies	40TE	2.69	2.4L	05095330AA	R5095330AA
	RS Body	41TE	2.69	2.4L	05095240AA	R5095240AA
	RS Body	41TE	2.69	2.4L	05018930AF	R5018930AF
	RS Body	41TE	2.49	3.3L	05102931AF	R5102931AF
	RS Body	41TE	2.38	3.8L	05102932AF	R5102932AG
	RS Body w/AWD	41TE	—	3.8L	05102918AF	R5102918AG
2003	JR Body	41TE	2.69	2.7L	05018922AC	R5018922AC
	LH Body w/FWD	42LE	—	2.7L	05104380AB	R5179770AA
	LH Body w/FWD	42LE	—	3.5L	05097862AC	R5179769AA
	PL Body	41TE	2.39	2.0L	05069269AC	R5069269AC
	PT Body	41TE	2.68	2.4L Turbo	05093424AA	R5093424AA
	PT, JA Bodies	41TE	2.81	2.0L	05068281AC	R5068281AC
	PT, JR Bodies	41TE	2.60	2.4L	05068269AC	R5068269AC
	RS Body w/FWD	41TE	2.49	3.3L	05102931AC	R5102931AC
	RS Body	41TE	2.69	2.4L	05102930AC	R5102930AC
	RS Body w/FWD	41TE	2.38	3.8L	05102932AC	R5102932AC
	RS Body w/AWD	41TE	—	3.8L	05102918AC	R5102918AC

AUTOMATIC TRANSAXLES

(CONTINUED)



REMAN POWERTRAIN WARRANTY

PASSENGER CARS AND MINIVANS (CONT.)

MODEL YEAR	APPLICATION	TRANS.	GEAR RATIO	ENGINE	O.E. PART NO.	REMAN PART NO.
2002-2001	JA, PL, PT Bodies	A604/41TE	2.39	2.4L	05017921AA	R5016448AB
	JR Body	A604/41TE	2.69	2.7L	05018922AA	R5018922AB
	RS Body	A604/41TE	2.49	3.3L	05018931AA	R5018931AA
	RS Body	A604/41TE	2.38	3.8L	05018932AA	R5018932AA
	RS Body w/AWD	A604/41TE	2.38	3.8L	05018918AA	R5018918AA
	PL Body	A604/41TE	2.69	2.0L	05069269AA	R5069269AB
	PT, JA Bodies	A604/41TE	2.81	2.0L	05068281AA	R5068281AA
	PT, JA Bodies	A604/41TE	2.69	2.4L	05068269AA	R5068269AB
2002-2000	NS, RS Bodies	A404/31TH	3.19	2.4L	05019914AA	R5019914RL
2002-1998	LH Body	A606/42LE	—	3.5L	05097862AG	R5097862AG
	LH Body	A606/42LE	—	2.7L	05097984AG	R5097984AG
2000	FJ Body	A604/41TE	2.81	2.0L	05016450AA	R5016450AA
	JA Body	A604/41TE	2.69	2.4L	05016448AA	R5016448AB
	JA Body	A604/41TE	2.69	2.5L	05016449AA	R5016449AB
	NS Body	A404/31TH	3.19	2.0L	05014302AA	R5019914RL
	NS Body	A604/41TE	2.49	3.0L	05016305AA	R5016305AC
	NS Body	A604/41TE	2.49	3.3L	05016445AA	R5016445AC
	NS Body	A604/41TE	2.38	3.8L	05016446AA	R5016446AC
	NS Body 4x4	A604/41TE	2.38	3.8L	05016447AA	R5016447AC
	PL Body	A404/31TH	2.98	2.0L	05014300AB	R5014300AB
	PL Body	A404/31TH	3.19	2.0L	05014764AC	R5014764AC
2000-1999	LH Body	A606/42LE	2.52	3.3L/3.5L	5013067AB	R5013067AC
	LH Body	A606/42LE	2.68	2.7L	5014931AA	R5014931AC
1999	FJ Body (Blade TRS)	A604/41TE	2.69	2.0L	5013515AB	R5013515AB
	FJ, JA, JX Bodies (Blade TRS)	A604/41TE	2.69	2.5L	5013916AA	R5013916AB
	JA Body (Blade TRS)	A604/41TE	2.81	2.0L	5013917AA	R5013917AB
	JA, JX Bodies (Blade TRS)	A604/41TE	2.69	2.4L	5013915AA	R5013915AB
	NS Body (Blade TRS)	A604/41TE	2.49	3.0L	5013904AA	R5013904AC
	NS Body (Blade TRS)	A604/41TE	2.38	3.8L	5013912AA	R5013912AC
	NS Body w/AWD (Blade TRS)	A604/41AE	2.38	3.8L	5013914AA	R5013914AC
	NS, GS Bodies (Blade TRS)	A604/41TE	2.49	3.3L	5013911AA	R5013911AC
1998	FJ, JA, JX Bodies (Pin TRS)	A604/41TE	2.69	2.5L	04897327AA	R4897327AB
	JA Body (Pin TRS)	A604/41TE	2.81	2.0L	04897856AB	R4897856AC
	JA, JX Bodies (Pin TRS)	A604/41TE	2.69	2.4L	04897485AA	R4897485AB
	LH Body	A606/42LE	2.68	2.7L	04659900	R5014659AE
	LH Body	A606/42LE	2.52	3.3L/3.5L	05003885AC	R5003885AE
	NS Body (Pin TRS)	A604/41TE	2.49	3.0L	04897859AB	R4897859AD
	NS Body (Pin TRS)	A604/41TE	2.38	3.8L	04897852AA	R4897852AC
	NS Body w/AWD (Pin TRS)	A604/41AE	2.38	3.8L	04897853AA	R4897853AC
	NS, GS Bodies (Pin TRS)	A604/41TE	2.49	3.3L	04897851AA	R4897851AC
1998-1996	NS Body	A470/31TH	2.98	3.0L	04883101AA	R4762876AB
	NS Body	A413/31TH	3.19	2.4L	04762875	R4567620AB
	PL Body	A413/31TH	3.19	2.0L	04883102	R4778716AB
1997	JA Body	A604/41TE	2.81	2.0L	04799717/04800636	R4883036AB
	NS Body	A604/41TE	2.49	3.0L	04897957AB	R4897957AC
1997-1996	JA Body	A604/41TE	2.69	2.0L	04798961	R4798961AB
	JA, JX Bodies	A604/41TE	2.69	2.4L (JA)	04883634	R4883034AB
	JA, JX Bodies	A604/41TE	2.69	2.5L	04883635	R4883035AB
	LH Body	A606/42LE	2.52	3.3L/3.5L	04883636	R4883037AC

AUTOMATIC TRANSAXLES

(CONTINUED)



REMAN POWERTRAIN WARRANTY

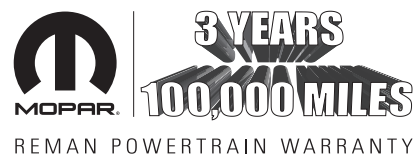
PASSENGER CARS AND MINIVANS (CONT.)

MODEL YEAR	APPLICATION	TRANS.	GEAR RATIO	ENGINE	O.E. PART NO.	REMAN PART NO.
1997-1996 (Cont.)	NS Body	A604/41TE	2.69	2.4L (NS)	04883630	R4883030AC
	NS Body	A604/41TE	2.49	3.3L	04883631	R4883031AC
	NS Body	A604/41TE	2.38	3.8L	04883632	R4883032AC
	NS Body w/AWD	A604/41AE	2.38	3.8L	04883033	R4883033AC
1996	NS, GS Bodies	A604/41TE	2.49 (w/o TRS)	3.3L	04883569	R4883569AC
	NS Body	A604/41TE	2.38 (w/o TRS)	3.8L	04883568	R4883568AC
	PL Body	A413/31TH	2.98	2.0L	04778715	R4778715AB
1995	AA Body	A413/31TH	2.98	2.5L LU	04773066	R4773066AB
	AA, AS Bodies	A470/31TH	2.98	3.0L	04773351	R4773351AB
	AS Body	A413/31TH	3.19	2.5L	04773067	R4773067AB
	AS Body	A604/41TE	2.38	3.8L	04659906	R4797829AB
	AS Body	A604/41TE	2.49	3.0L	04659904	R4797826AB
	AS Body w/AWD	A604/41AE	2.38	3.3L/3.8L	04659907	R4797830AB
	AS, ES Bodies w/AWD	A604/41AE	2.49	3.3L	04659777	R4797828AB
	AS, ES Bodies	A604/41TE	2.49	3.3L	04659905	R4797827AB
	FJ Body	A604/41TE	2.69	2.0L	04883563AA	R4797839AB
	FJ, JA Bodies	A604/41TE	2.69	2.5L	04883565AA	R4797837AB
	JA Body	A604/41TE	2.69	2.4L	04883564AB	R4883564AB
	PL Body	A413/31TH	2.98	2.0L	04773070	R4773070AB
1995-1993	LH Body	A606/42LE	2.52	3.3L/3.5L	04762922	R4797840AC
1994-1993	AJ, AS Bodies	A604/41TE	2.49	3.0L	04740827	R4740827AB
	AS Body w/AWD	A604/41AE	2.49	3.3L	04659074	R4659074AB
	AS Body	A604/41TE	2.38	3.8L	04659906	R4659075AB
	AY Body	A604/41TE	2.2	3.8L	04740826	R4740826AB
	AS, ES Bodies	A604/41TE	2.49	3.3L	04740828	R4740828AB
1994-1991	AS Body w/AWD	A604/41AE	2.38	3.3L/3.8L	04659076	R4659076AB
1994-1990	A, G, J, P Bodies	A413/31TH	3.02	2.5L Turbo	04567048	R4567048AA
1994-1989	AS Body	A413/31TH	3.22	2.5L	04773067	R4567055AA
1994-1988	AA Body	A470/31TH	2.78	3.0L	04626745	R4626745AB
1994-1987	AA Body	A470/31TH	3.02	3.0L	04776351	R4567061AB
	AA, AP Bodies	A413/31TH	3.02	2.2L/2.5L	04773066	R4567059AA
1992-1991	AA, AC Bodies	A604/41TE	2.49	3.0L	04741747	R4741747AB
	AC, AS Bodies	A604/41TE	2.2	3.8L	04741746	R4741746AB
	AC, AS Bodies	A604/41TE	2.49	3.3L	04741748	R4741748AB
1990	AA, AC Bodies	A604/41TE	2.38	3.0L	04741743	R4741743AB
	AC, AS Bodies	A604/41TE	2.38	3.3L	04741744	R4741744AB
1989	AA, AC, AG, AJ, AY Bodies	A604/41TE	2.38	3.0L	04761821	R4761821AB
1989-1987	AS Body	A404/30TH	3.22	2.2L	04531087	R4531087AA
	E, G, H, J, K, P Bodies	A404/31TH	3.02	2.2L/2.5L Turbo	04531099	R4531099AA

IMPORT AND DIAMOND STAR PASSENGER CARS

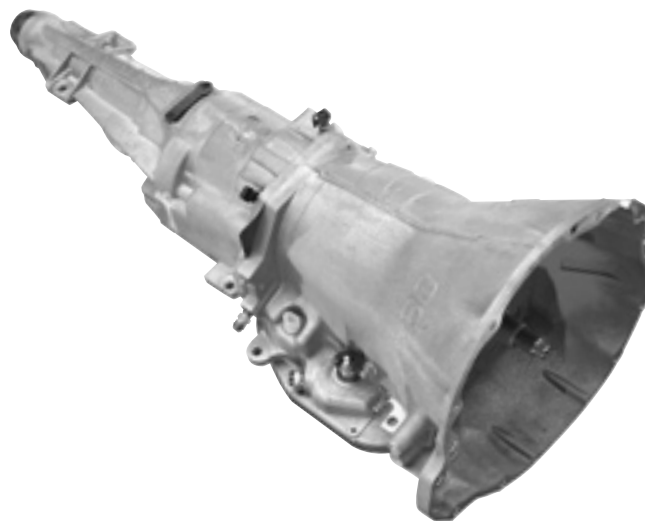
MODEL YEAR	APPLICATION	TRANS.	ENGINE	O.E. PART NO.	REMAN PART NO.
1994-1993	Colt/Summit	F3A21-2-ER18	1.5L	MD971061	R971061M
	Vista	F4A23-2-LNQ	2.4L	MD971789	R971789M
1993	Colt/Summit	F4A22-2-MRF3	1.8L	MD971630	R971630M
	Talon/Laser	F4A22-2-MPE1	2.0L	MD971511	R971511M
1992	Vista AWD	F4A33-1-UP61	2.4L	MD996357	R996357M

RWD AUTOMATIC TRANSMISSIONS



PRODUCT FEATURES:

- Complete cleaning and inspection of cores during teardown
- New components include all friction plates, pressure solenoids, gaskets, bearings and seals
- Performance specifications and tolerances comply with O.E. standards
- Torque converter included



PASSENGER CARS

MODEL YEAR	APPLICATION	TRANS.	ENGINE	O.E. PART NO.	REMAN PART NO.
2007-2006	LE, LX, Bodies RWD	W5A580/NAG1	3.5L	05175491AC	R5175491AC
2006-2005	LE, LX Bodies AWD	W5A580/NAG1	5.7L	05144480AD	R5144480AD
2006-2004	LE, LX Bodies RWD	W5A580/NAG1	5.7L	05143561AC	R5143561AC

TRUCKS

MODEL YEAR	APPLICATION	TRANS.	ENGINE	O.E. PART NO.	REMAN PART NO.
2007-2005	DH, D1 Bodies 4X2	48RE	5.9L Diesel	05159974AB	R5159974AC
	DH, D1 Bodies 4X4	48RE	5.9L Diesel	05159973AB	R5159973AC
2006	DR 1500 Body 4X2	45RFE	5.7L	05179263AC	R5179263AC
	DR 1500 Body 4X4	45RFE	5.7L	05179262AC	R5179262AC
2006-2005	DR, DH, D1 2500/3500 Bodies 4x4	45RFE	5.7L	05086265AE	R5086265AE
2005	DR 1500 Body 4X4	45RFE	5.7L	05189307AC	R5189307AC
2005-2002	VA Body	NAG1	2.7L	05104552AA	R5104552AA
2004	AN Body 4x4	45RFE	4.7L	05133155AA	R5133155AA
	AN Body 4x2	45RFE	4.7L	05133171AA	R5133171AA
	DR 2500, 3500 Bodies 4x4	45RFE	5.7L	05086265AB	R5086265AB
	DR Body 4x2	45RFE	3.7L, 4.7L	05133189AA	R5133189AA
	HB Body 4x2	45RFE	4.7L	05133156AA	R5133156AA
	HB Body 4x4	45RFE	4.7L	05133157AA	R5133157AA
	HB, DR 1500 Bodies 4x4	45RFE	5.7L	05133187AA	R5133187AA
2004-2003	AN, DR Bodies 4x2	45RFE	3.7L, 4.7L	05086263AA	R5086263AA
	DR Body 4x2	48RE	5.9L Diesel	05103353AC	R5103353AD
	DR Body 4x4	48RE	5.9L Diesel	05103351AC	R5103351AD
2003	AB Body	46RE	5.2L	05083352AA	R2854064RL
	AN, DR Bodies 4x4	45RFE	4.7L	05086262AA	R5086262AA
	BR Body 4x2	47RE	5.9L Turbo Diesel	05086284AB	R2119759RL
	BR Body 4x4	47RE	5.9L Turbo Diesel	05086287AB	R2119760RL
	BR Body 4x4	47RE	8.0L	05086289AB	R2852989RL

RWD AUTOMATIC TRANSMISSIONS (CONTINUED)



REMAN POWERTRAIN WARRANTY

TRUCKS (CONT.)

MODEL YEAR	APPLICATION	TRANS.	ENGINE	O.E. PART NO.	REMAN PART NO.
2003 (Cont.)	DR Body 4x2	45RFE	5.7L	05086269AA	R5086269AA
	DR Body 4x2	47RE	8.0L	52852988AA	R2852988RL
	DR 1500 Body 4x4	45RFE	5.7L	05086268AA	R5086268AA
	DR 2500, 3500 Bodies 4x4	45RFE	5.7L	05086265AA	R5086265AA
2003-2002	DN, DR Bodies 4x2	46RE	—	05080958AA	R2854066RL
	AB Body 4x2	46RE	5.9L	05080958AA	R2854066RL
	AN, DR Bodies 4x2	46RE	All	05083387AA	R2854068RL
2003-2001	AN Body 4x2	42RE	3.9L	05018402AA	RL018402AA
	AN Body 4x4	42RE	3.9L	05018405AA	RL018405AA
	AN, DN Bodies 4x4	46RE	3.9L, 5.9L	05080959AA	R2844067RL
2002	AN, DN Bodies 4x4	46RE	5.9L	05080959AA	R5080959AA
	BE, BR Bodies 4x2	46RE	5.9L	05014771AB	R2119845RL
	BE, BR Bodies 4x4	46RE	5.9L	05014772AB	R2119846RL
	BE, BR Bodies 4x2	47RE	5.9L Diesel	05014773AB	R2119850RL
	BE, BR Bodies 4x2	47RE	8.0L	05014774AD	R2852939RL
	DN Body 4x2	46RE	5.9L	05080958AA	R5080958AA
2002-2001	AB Body 4x2	46RE	5.2L	52119753AA	R5018597AA
	AB Body 4x2	32RH	3.9L	05018763AA	R5018763AA
	AN Body 4x2	42RE	3.9L	52119751AA	R5018402AA*
	AN Body 4x4	42RE	3.9L	52119752AA	R5018405AA*
	AN, BR Bodies 4x2	42RE	3.9L	05191781AA	R5191781AA
	AN, DN Bodies 4x4	45RFE	4.7L	05018169AC	R5018169AB
	AN, DN Bodies 4x2	45RFE	4.7L	05018205AC	R5018205AB
2002-2000	BE, BR Bodies 4x4	47RE	8.0L	05014776AD	R2852940RL
2001	AB Body 4x2	46RE	5.9L	52119755AA	R5018604AA
	AN, DN, DR Bodies 4x4	46RE	5.9L	52119845AA	R5018487AA
	BE, BR Bodies 4x2	47RE	5.9L TD	52119850AB	R5014773AA
	BE, BR Bodies 4x2	47RE	8.0L	52852939AA	R5014774AA
	BE, BR Bodies 4x4	47RE	5.9L TD	52119851AB	R5014775AA
	DN Body 4x2	46RE	5.9L	52119757AA	R5018598AA
2001-2000	AB Body 4x2	46RE	5.9L	52119845AB	R5014771AC
	AB Body 4x2	46RE	5.2L	52119843AA	R5014769AC
	AN, DN Bodies 4x4	42RE	3.9L	05031343AA	R5015272AA
	AN, DN Bodies 4x2	44RE	5.2L	52119853AB	R5015278AC
	BE, BR Bodies 4x2	46RE	5.2L	05014769AB	R2119843RL
	BE, BR Bodies 4x4	47RE	8.0L	52852940AA	R5014776AA
	BE, BR Bodies 4x4	46RE	5.2L	52119844AA	R5014770AA
	BE, BR, BT Bodies 4x2	46RE	5.2L	52119847AA	R5014769AB
	BE, BR, BT Bodies 4x2	46RE	5.9L	52119845AA	R5014771AB
	BE, BR, BT Bodies 4x4	46RE	5.9L	52119046AA	R5014772AA
2000	AN Body 4x2	42RE (DGK)	3.9L	05013025AC	R5013025AC
	AN, BR Bodies 4x2	42RE	3.9L	52119834AB	R5014768AC
	AN, DN Bodies 4x2	45RFE	4.7L	05015266AA/05018205AA	R5018205AA
	AN, DN Bodies 4x4	45RFE	4.7L	05015265AA/05019169AA	R5018169AA
	AN, DN, DR Bodies 4x2	46RE	5.9L	52119847AA	R5015276AA
	AN, DN, DR Bodies 4x4	46RE	5.9L	52119848AA	R5015277AA
	DN, DR Bodies 4x2	46RE	5.2L	52119847AA	R5015278AC

*Not approved for corporate warranty usage on 2002 model year vehicles.

RWD AUTOMATIC TRANSMISSIONS (CONTINUED)



REMAN POWERTRAIN WARRANTY

TRUCKS (CONT.)

MODEL YEAR	APPLICATION	TRANS.	ENGINE	O.E. PART NO.	REMAN PART NO.
2000-1998	AB Body 4x2	32RH	3.9L	05015270AA	R5015270AA
1999	AB Body	46RE	5.2L	05003026AA	R5003026AC
	AB Body	46RE	5.9L	05003027AA	R5003027AC
	AN, DN Bodies 4x4	44RE	5.2L	05013039AB	RL013039AB
	AN, DN Bodies 4x2	44RE (DGW)	5.2L	05013036AC	R5013036AC
	AN, DN Bodies 4x4	42RE (DGK)	3.9L	05013031AC	R5013031AC
	AN, DN Bodies 4x4	44RE (DGW)	5.2L	05013039AC	R5013039AC
	BE, BR Bodies 4x2	46RE	5.2L	05003026AB	R5003026AB
1999-1998	AB, BE, BR Bodies 4x4	46RE	5.2L	05003029AB	R5003029AB
	AN, DN Bodies 4x2	46RE	5.9L	05003344AB	R5003344AB
	AN, DN Bodies 4x4	46RE	5.9L	05003345AB	R5003345AB
	BE, BR, BT Bodies 4x2	46RE	5.9L	05003027AB	R5003027AB
	BE, BR Bodies 4x2	47RE	8.0L	05013629AB	R5013629AB
	BE, BR Bodies 4x4	47RE	8.0L	05013631AB	R5013631AB
	BE, BR Bodies 4x2	47RE	5.9L Diesel	05013628AA	R5013628AB
	BE, BR Bodies 4x4	47RE	5.9L Diesel	05013630AB	R5013630AB
1998	BE, BR, BT Bodies 4x4	46RE	5.9L	05003028AB	R5003028AB
	AN, BR Bodies 4x2	42RE	3.9L	05003023AC	R5003023AD
	AN, DN Bodies 4x2	42RE	5.2L	05003347AC	R5003347AD
	AN, DN Bodies 4x4	42RE	3.9L	05003346AC	R5003346AD
	AN, DN Bodies 4x4	44RE	5.2L	05003348AC	R5003348AD
1997	BR Body 4x2	46RE	5.2L	05003029AB	R5003029AB
	AN Body 4x2	44RE	5.2L	52118554	R2118554AB
1997-1996	AN Body 4x4	44RE	5.2L	52119555	R2119555AB
	AB Body 4x2	46RE	5.2L LU	04864241	R4864241AC
	AB Body 4x2	46RE	5.9L LU	04864242	R4864242AC
	AN Body 4x2	46RE	5.2L LU	04882500	R4882500AB
	AN Body 4x4	46RE	5.2L LU	04864250	R4864250AB
	AN Body 4x4	42RE	3.9L	52119534	R2119534AB
	AN, BR Bodies 4x2	42RE	3.9L	52118421/04883370AA	R2119533AB
	BR Body 4x2	46RE	5.2L LU	04864241	R4864241AB
	BR Body 4x2	46RE	5.9L LU	04864242	R4864242AB
	BR Body 4x2	47RE	8.0L	04883743AA	R4883743AB
	BR Body 4x4	46RE	5.2L LU	04882504	R4882504AB
	BR Body 4x4	46RE	5.9L LU	04882494	R4882494AB
	BR Body 4x4	47RE	8.0L	04883745AA	R4883745AB
	BR Body 4x2	47RE	5.9L Diesel	04883742AB	R4883742AB
BR Body 4x4	47RE	5.9L Diesel	04883744AB	R4883744AB	
1997-1994	AB Body	36RH	5.2L	04883729	R4883729AA
1995	AN Body 4x4	42RH	3.9L	52118351	R2118351AB
	AN Body 4x2	46RH	5.2L LU	52118324	R2118324AB
	AN Body 4x4	46RH	5.2L LU	52118326	R2118326AB
	AN, BR Bodies 4x2	42RH	3.9L	52118350	R2118350AB
	BR Body 4x2	46RH	3.9L LU	52118322	R2118322AB

RWD AUTOMATIC TRANSMISSIONS (CONTINUED)



REMAN POWERTRAIN WARRANTY

TRUCKS (CONT.)

MODEL YEAR	APPLICATION	TRANS.	ENGINE	O.E. PART NO.	REMAN PART NO.
1995-1994	AB, BR Bodies 4x2	46RH	5.2L LU	52118323	R2118323AB
	AB, BR Bodies 4x2	46RH	5.9L LU	52118328	R2118328AB
	BR Body 4x2	47RH	8.0L	52119159	R2119159AB
	BR Body 4x4	46RH	5.2L LU	52118325	R2118325AB
	BR Body 4x4	46RH	5.9L LU	52118329	R2118329AB
	BR Body 4x4	47RH	8.0L	52119160	R2119160AB
	BR Body 4x2	47RH	5.9L Diesel	52119157AB	R2119157AB
	BR Body 4x4	47RH	5.9L Diesel	52119158AB	R2119158AB
1994	AB Body 4x2	46RH	5.2L LU	52118184	R2118184AC
	AN Body 4x4	42RH	3.9L	52118016	R2118016AB
	AN, AD Bodies 4x2	42RH	3.9L	52118015	R2118015AB
1993	AD Body 4x2	46RH	5.9L LU	52118721	R2118721AB
	AD Body 4x2	46RH	5.2L LU	52118184	R2118184AB
	AN Body 4x2	46RH	5.2L LU	52117684	R2117684AB
	AN Body 4x4	46RH	5.2L LU	52117685	R2117685AB
1993-1992	AN Body 4x4	42RH	3.9L	52117683	R2118016AB
	AN, AD Bodies 4x2	42RH	3.9L	52117679	R2118015AB
1993-1991	AB Body 4x2	46RH	5.2L LU	53008148	R3008148AC
	AD Body 4x2	47RH	5.9L Turbo Diesel	05014728AB	R5014728AB
	AD Body 4x4	47RH	5.9L Turbo Diesel	05014729AB	R5014729AB
1992	AD Body 4x2	46RH	5.9L LU	53008148	R3008148AB
	AN Body 4x4	46RH	5.2L LU	53008143	R3008143AB

JEEP®

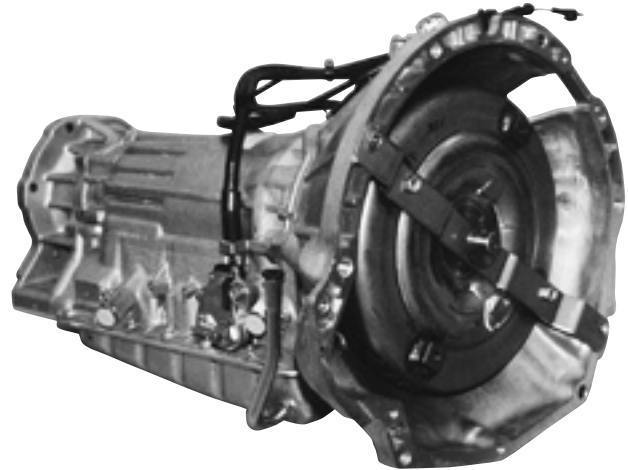
MODEL YEAR	APPLICATION	TRANS.	ENGINE	O.E. PART NO.	REMAN PART NO.
2006	KJ Body 4X2	42RLE	3.7L	05176258AC	R5176258AC
	KJ Body 4X4	42RLE	3.7L	05179247AB	R5179247AB
	KJ Body 4X4	45RFE	2.8L Diesel	05143976AD	R4143976AD
2005	KJ Body 4X2	42RLE	3.7L	05143690AD	R5143690AD
	KJ Body 4X4	42RLE	3.7L	05143971AD	R5143971AD
	KJ Body 4X4	45RFE	2.8L Diesel	05143976AD	R5143976AD
2004-2003	KJ Body 4x2	42RLE	3.7L	05101883AC	R5101883AC
	KJ Body 4x4	42RLE	3.7L	05101884AC	R5101884AC
	TJ Body 4x2	42RLE	4.0L	05101752AD	R5101752AD
	TJ Body 4x2	42RLE	2.4L	05101753AD	R5101753AD
2003	KJ Body 4x2	45RFE	3.7L	05093110AA	R5093110AA
	KJ Body 4x4	45RFE	3.7L	05093109AA	R5093109AA
2002-2001	KJ Body 4x2	45RFE	3.7L	05166522AA	R5083912AA
	KJ Body 4x4	45RFE	3.7L	05166523AA	R5083914AA
2002-1997	TJ Body 4x4	32RH	2.5L	05015269AA	R5015269AA
	TJ Body 4x4	32RH	4.0L	05015271AB	R5015271AB

AUTOMATIC TRANSMISSIONS



PRODUCT FEATURES:

- All remanufactured transmissions are disassembled and thoroughly cleaned
- Each O-ring, gasket and seal is replaced with O.E. replacement parts
- Individual parts are carefully inspected to ensure that they meet O.E. standards
- Any components that fail to meet O.E. standards are replaced with O.E. replacement parts
- Each transmission is tested to O.E. specifications on a computer-controlled dynamometer, and all remanufactured transmissions incorporate the latest product updates



JEEP®

MODEL YEAR	APPLICATION	TRANS.	ENGINE	O.E. PART NO.	REMAN PART NO.
2006-2005	WK Body 4X4	45RFE	5.7L	05179051AB	R5179051AB
	WK Body 4X4	W5A580/NAG1	3.7L	05179336AA	R5179336AA
2005	WK Body 4X4	45RFE	4.7L	05189305AC	R5189305AC
	WK Body 4X2	W5A580/NAG1	3.7L	52108400AA	R2108400AA
2004-2003	WJ Body 4x2	45RFE	3.7L, 4.7L	05086263AA	R5086263AA
	WJ Body 4x4	45RFE	4.7L	05086264AA	R5086264AA
2004-2000	WJ, ZJ Bodies 4x2	42RE	4.0L	05015273AA	R5015273AA
	WJ, ZJ Bodies 4x4	42RE	4.0L	05015274AA	R5015274AA
2002-2001	WJ, ZJ Bodies 4x4	45RFE	4.7L	05019249AC	R5019249AB
2000	WJ Body 4x2	45RFE	4.7L	05015266AA/05018205AA	R5018205AA
2000-1999	WJ Body 4x4	45RFE	4.7L	05014218AA/05019249AA	R5019249AA
2000-1998	XJ Body 4x2	AW-4	4.0L	52104180AD	R2104180AD
	XJ Body 4x4	AW-4	4.0L	52104210AC	R2104210AC
1999	WJ Body 4x2	42RE (DGK)	4.0L	05012459AB	R5012459AC
	WJ Body 4x4	42RE (DGK)	4.0L	05012464AA	R5012464AB
1999-1998	ZJ Body 4x4	46RE	5.9L	05003192AB	R5003192AC
	ZJ Body 4x2	42RE	4.0L	05003188AC	R5003188AF
1998	XJ Body 4x2	AW-4	4.0L	52104180	R2104180
	ZJ Body 4x2	44RE	5.2L	05003191AA	R5003191AD
	ZJ Body 4x4	44RE	5.2L	05003190AA	R5003190AD
	ZJ Body 4x4	42RE	4.0L	05003189AC	R5003189AD
1997	XJ Body 4x4	AW-4	4.0L	52104210	R2104210
	ZJ Body 4x2	44RE	5.2L	52119287	R2119287AB
1997-1996	ZJ Body 4x2	42RE	4.0L	52119530	R2119530AB
	ZJ Body 4x4	42RE	4.0L	52119531	R2119531AB
	ZJ Body 4x4	44RE	5.2L	52119532	R2119532AB
1996-1994	XJ Body 4x2	AW-4	4.0L	04810178	JR007997
	XJ Body 4x4	AW-4	4.0L	04810179	JR007998
1995	ZJ Body 4x2	42RE	4.0L	52118353	R2118353AB
	ZJ Body 4x4	42RE	4.0L	52118354	R2118354AB

Note: The photo shown on this page may not be representative of the actual part.

AUTOMATIC TRANSMISSIONS



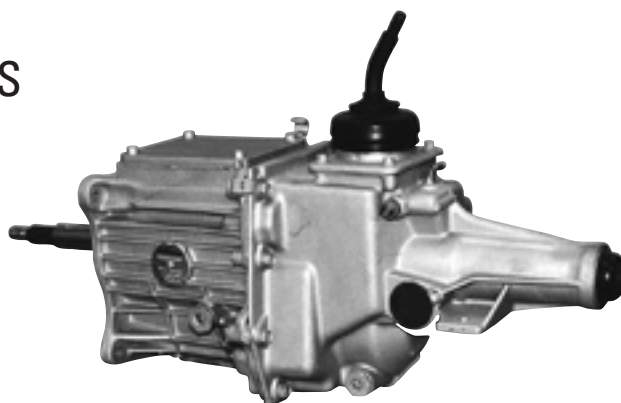
3 YEARS
100,000 MILES

REMAN POWERTRAIN WARRANTY

JEEP® (CONT.)

MODEL YEAR	APPLICATION	TRANS.	ENGINE	O.E. PART NO.	REMAN PART NO.
1995-1994	ZJ Body 4x4	46RH	5.2L LU	52118327	R2118327AB
1994-1993	ZJ Body 4x2	42RE	4.0L	52118316	R2119027AB
	ZJ Body 4x4	42RE	4.0L	52118317	R2118028AB
1993	MJ, XJ Bodies 4x2	AW-4	4.0L	53007997	JR007997
	ZJ Body 4x4	46RH	5.2L LU	53009204	R3009204AB
1993-1991	MJ, XJ Bodies 4x2	AW-4	4.0L	53002840	JR775142
	MJ, XJ Bodies 4x4	AW-4	4.0L	53007998	JR007998
1990-1987	MJ, XJ Bodies 4x4	AW-4	4.0L	53002839	JR775143

MANUAL TRANSMISSIONS AND TRANSAXLES



PASSENGER CARS

MODEL YEAR	APPLICATION	TRANS.	ENGINE	O.E. PART NO.	REMAN PART NO.
2000-1996	JX Body	A578-FWD	2.0L	04796408	R4796408
2000-1995	JA Body	A578-FWD	2.0L	04761716	R4761716
1999-1994	PL Body	A578-FWD	2.0L	04773388	R4773388
1999-1994	PL Body	A578-FWD	2.0L	04773389	R4773389
1997-1994	FJ Body	A578-FWD	2.0L	04670890/04741473	R4741473

TRUCKS

MODEL YEAR	APPLICATION	TRANS.	ENGINE	O.E. PART NO.	REMAN PART NO.
2006-2005	DH, DX, D1 Bodies 4X2	G56	5.9L Diesel	52104714AC	R2104714AD
2005	DH Body 4x4	G56	5.9L Diesel	52104715AC	R2104715AC
2005-2003	DR Body 4x2	NV5600	5.9L Diesel	52108501AC	R2108501AC
	DR Body 4x4	NV5600	5.9L Diesel	52108502AC	R2108502AC
2002-2000	BR Body 4x2	NV5600	5.9L Diesel	52108501AB	R2108501AB
	BR Body 4x4	NV5600	5.9L Diesel	52108502AB	R2108502AB

JEEP®

MODEL YEAR	APPLICATION	TRANS.	ENGINE	O.E. PART NO.	REMAN PART NO.
2006-2005	TJ Body 4x4	NSG370	4.0L	52104646AA/ 52104646AB/ 52104646AC	R2104646AC
	TJ Body 4x4	NSG370	2.4L	52104695AC	R2104695AC

MANUAL TRANSMISSION COVERS



DIESEL APPLICATIONS

MODEL YEAR	APPLICATION	TRANS.	ENGINE	O.E. PART NO.	REMAN PART NO.
1993-1988	Getrag Trans. Cover 5-Speed, Cummins-Diesel	2, 4WD	All	04740035	R4740035

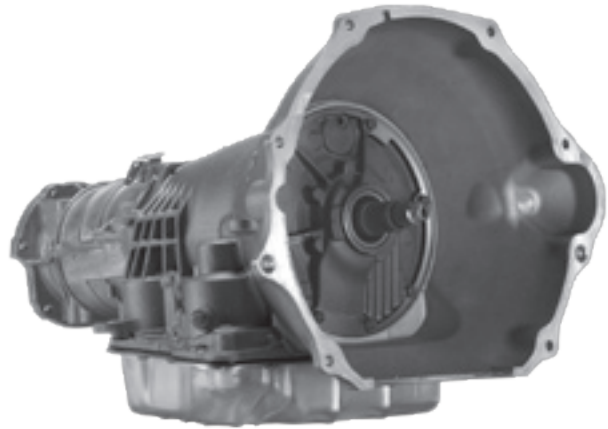
*Approved for new-vehicle warranty usage.



HEAVY-DUTY 48RE TRANSMISSIONS

PRODUCT FEATURES:

- Improved timing and flow
- Heavy-duty throttle valve kit
- Front servo piston cover designed with an O-ring
- Intermediate shaft plug kit
- Upgraded stator support bushing material
- High-energy front and rear clutch
- Heavy-duty torque converter
- Turbine stiffener plate
- Kevlar reverse band
- Billet front cover to eliminate converter ballooning



TRUCKS

MODEL YEAR	APPLICATION	TRANS.	ENGINE	REMAN PART NO.
2006-2005	DR Bodies 4x4	48RE	5.9L TD	RH159973AB†
2006-2005	DR Bodies 4x2	48RE	5.9L TD	RH159974AB†
2004-2003	DR Bodies 4x4	48RE	5.9L TD	RH103351AC†
2004-2003	DR Bodies 4x2	48RE	5.9L TD	RH103353AC†

†Not for vehicle warranty repairs.

TORQUE CONVERTERS

PRODUCT FEATURES:

- Remanufactured to the most current design levels – meets O.E. specifications
- Remanufactured to a level high enough to qualify for warranty replacement
- Remanufactured with O.E. replacement components, including Vector balancing on lockup style units



PASSENGER CARS, MINIVANS, TRUCKS AND VANS

MODEL YEAR	APPLICATION	ENGINE	TRANS.	LOCKUP	O.E. PART NO.	REMAN PART NO.
9 1/2"						
2003-1995	All	2.4L	A413, 41TE	Yes	04567956AB	R4778031AB*
2003-1994	JA, PL Bodies	2.0L SOHC	A413	Yes	04796384	R4796384AB*
2002-1994	AN Body	2.5L	30RH	Yes	04736388AB	R4736388AB*
2000-1996	All	3.0L	A413	Yes	04797544	R4797544AB*
2000-1994	P1, J2 Bodies	2.0L, 2.4L	A413	No	04752425AB	R4752425AB*
1995-1993	All	3.0L	A413	Yes	04746840	R4797544AB
	AA, AS Bodies	2.5L	A413	Yes	04736479	R4778718
1992-1991	All	3.0L	A413	Yes	05280002	R4797544AB
	All (non-turbo)	2.2L, 2.5L	A413	Yes	05280002	R4797544
1992-1986	All	2.2L, 2.5L	A410	No	04471967	R4713160
1990	All	3.3L	A604	Yes	04636923	R4636923
1990-1989	All	3.0L	A604	Yes	04636922	R4636922
	All	3.0L	A413	Yes	04505520	R4797544AB
1990-1988	All (non-turbo)	2.2L, 2.5L	A413	Yes	04419626	R4797544
	All	2.2L, 2.5L	A413	Yes	04471965	R4797544
1988-1986	All	2.2L, 2.5L, 2.6L	A397	No	04419626	R4713159
1985-1978	All	2.2L, 2.5L, 2.6L	A397	No	04293058	R5222597
10"						
2002-2001	LH Body	2.7L, 3.2L	42LE	Yes	05018606AA	R4736830AA
	European Voyager	3.3L	41TE	Yes	05019480AA	R4736480AA
	Stratus, Sebring	2.7L	41TE	Yes	05019480AA	R4736480AA
	Domestic Caravan, Voyager, Town & Country	3.3L, 3.5L, 3.8L	41TE	Yes	05019480AA	R4736480AA
2000-1998	LH Body	2.7L, 3.2L, 3.5L	42LE	Yes	05003816AC	R5003816AD
2000-1998	NS Body	3.3L, 3.8L	41TE	Yes	05003350AA	R4897483AB
1997-1993	LH Body	3.3L, 3.5L	42LE	Yes	04626644	R4626644AB
1997-1991	All (except LH Body)	3.3L, 3.8L	41TE	Yes	04797476	R4797476AB
10 3/4"						
2003-2002	AB Body	5.2L	All	Yes	04736595AB	R4736595AC*
	AB, AB, BE, BR Bodies	5.2L	46RE	Yes	52119785	R4736595AC*
	AN, AB, BE, BR, DN Bodies	5.9L	46RE	Yes	52119787	R4736591AC*

*Approved for new-vehicle warranty usage.

TORQUE CONVERTERS

(CONTINUED)

TRUCKS

MODEL YEAR	APPLICATION	ENGINE	TRANS.	LOCKUP	O.E. PART NO.	REMAN PART NO.
10 3/4" (Cont.)						
2003-1999	AN, DN Bodies	4.7L	45RFE	Yes	04736582	R4736582
2002-1996	AB Body	5.2L	36RH	No	04736546	R4736546AB*
	AB, BR, AN Bodies	3.9L	42RE	Yes	52119781	R4736593AB*
	AN, DN Bodies	5.2L	44RE	Yes	04736549	R4736549AB*
1995-1994	AB, AD, AN Bodies	3.9L	32RH, 42RH	Yes	52117853	R2117853AB
1995-1993	AB, AD Bodies	5.9L	A518, 46RH	Yes	52117643	R2117643AB
	AB, AD, AN Bodies	3.9L	A518, 46RH	Yes	52117875	R2117875AB
1995-1992	AB, AN Bodies	3.9L, 5.2L	A727, 36RH	No	52117863	R2117863AB
	AB, AD, AN Bodies	5.2L	A518, 44RH	Yes	52117879	R2117879AC
	AB, AD, AN Bodies	3.9L	A518, 44RH	Yes	52117629	R2117875AB
1993	AB, AD, AN Bodies	3.9L	A500	No	52117873	R2117873AB
	AD, AN Bodies	3.9L	A500, A999	Yes	52117871	R2117871AB
1993-1992	AB, AD Bodies	5.2L	A518, A727	No	52117863	R2117863AB
1992-1987	AB, AN Bodies	3.9L	A500, A999	Yes	52117627	R2117627AB
1992-1984	AB, AD Bodies	5.2L	A518, A727	No	52117517	R2117517AB
	AB, AD Bodies	5.9L	A727	No	04431121	R4431121AB
1989-1988	AN (Shelby) Body	5.2L	A727	Yes	04431119	R2117627AB
1989-1982	AB, AD Bodies	5.2L	A500, A999	Yes	04431113	R4431113AB
1987-1978	AB, AD Bodies	3.7L	30RH	Yes	00443115	R4431115AB
1986-1978	AB, AD Bodies	5.9L	A727	No	04293055	R4431127AB
12.2"						
2002-1997	BR, BE Bodies	5.9L Turbo Diesel	47RE	Yes	52118868	R2118868*
2001-1994	BR, BE Bodies	8.0L	47RE	Yes	52118506	R2118506*
1996-1994	BR, BE Bodies	5.9L Turbo Diesel	47RE	Yes	52117644	R2117644

JEEP®

MODEL YEAR	APPLICATION	ENGINE	TRANS.	LOCKUP	O.E. PART NO.	REMAN PART NO.
9 1/2"						
1999-1994	TJ, XJ Bodies	2.5L	30RH	Yes	04736388AB	R4736388AB*
10 3/4"						
2004-2002	TJ Body	4.0L	32RH	Yes	04736486AB	R4736486AA
2004-1996	TJ, WJ, ZJ Bodies	4.0L	42RE	Yes	04736596	R4736596AB*
2002-1996	ZJ Body	5.2L, 5.9L	44RE, 46RH	Yes	52119792/04736599	R4736599AB*
2001-1999	WG Body	3.1L DSL	All A/T	Yes	52118861	RL118861
	WJ Body	4.7L	45RFE	Yes	04736582	R4736582
1995	ZJ Body	5.2L	46RH	Yes	52117879	R2117879AC
1995-1993	YJ, ZJ Bodies	4.0L	32RH, 42RE	Yes	52117703	R2117703AB
1993	All Jeep®	5.9L	A727	No	04431180	R4740325AB

*Approved for new-vehicle warranty usage.

TRANSMISSION, TRANSAXLE & DIFFERENTIAL KITS

KIT CONTAINS:

- All gaskets and seal kits
- Filters
- Converter bolts
- Pump bolts
- Check balls
- Pistons
- Snap ring and more



AUTOMATIC

MODEL YEAR	APPLICATION	TRANS.	KIT NO.
2005-2003	Overhaul	48RE Single Clutch	R0000481AA
2005-2003	Banner	48RE Single Clutch	R0000482AA
2005-2003	Master	48RE Single Clutch	R0000483AA
2007-2006	Overhaul	48RE Double Clutch	R0001481AA
2007-2006	Banner	48RE Double Clutch	R0001482AA
2007-2006	Master	48RE Double Clutch	R0001483AA
2002-1996	Overhaul	47RE	R0000471AA
2002-1996	Banner	47RE	R0000472AA
2002-1996	Master	47RE	R0000473AA
2003-1998	Overhaul	46RE	R0000461AA
2003-1998	Banner	46RE	R0000462AA
2003-1998	Master	46RE	R0000463AA
2000-1997	Overhaul	44RE	R0000441AA
2000-1997	Banner	44RE	R0000442AA
2000-1997	Master	44RE	R0000443AA
2005-2004	Overhaul	40TE	R0000401AA
2005-2004	Banner	40TE	R0000402AA
2005-2004	Master	40TE	R0000403AA
2007-1995	Overhaul	41TE	R0000411AA
2007-1995	Banner	41TE	R0000412AA
2007-1995	Master	41TE	R0000413AA
2003-1997	Overhaul	42LE	R0000421AA
2003-1997	Banner	42LE	R0000422AA
2003-1997	Master	42LE	R0000423AA
2003-1997	Overhaul	42RE	R00042R1AA
2003-1997	Banner	42RE	R00042R2AA
2003-1997	Master	42RE	R00042R3AA

TRANSMISSION, TRANSAXLE & DIFFERENTIAL KITS (CONTINUED)

THREE KITS TO CHOOSE FROM:

- Overhaul
- Overhaul Plus with needles
- Master Rebuild Kit with needles and synchronizer rings



MANUAL

MODEL YEAR	APPLICATION	TRANS.	KIT NO.
2005-1994	Overhaul	NV4500	R0045001AA
2005-1994	Overhaul Plus	NV4500	R0045002AA
2005-1994	Master	NV4500	R0045003AA
2005-1998	Overhaul	NV5600	R0056001AA
2005-1998	Overhaul Plus	NV5600	R0056002AA
2005-1998	Master	NV5600	R0056003AA
2006-2000	Overhaul	NV3550	R0035501AA
2006-2000	Overhaul Plus	NV3550	R0035502AA
2006-2000	Master	NV3550	R0035503AA
2004-1994	Overhaul	NV3500	R0035001AA
2004-1994	Overhaul Plus	NV3500	R0035002AA
2004-1994	Master	NV3500	R0035003AA

TRANSMISSION, TRANSAXLE & DIFFERENTIAL KITS (CONTINUED)

KIT CONTAINS:

- All tapered bearings
- Inner and outer pinion seals
- Nuts and washers
- All shims, sealant and gear marking compound with brush
- Ring gear bolts
- Loctite®
- Cover gasket



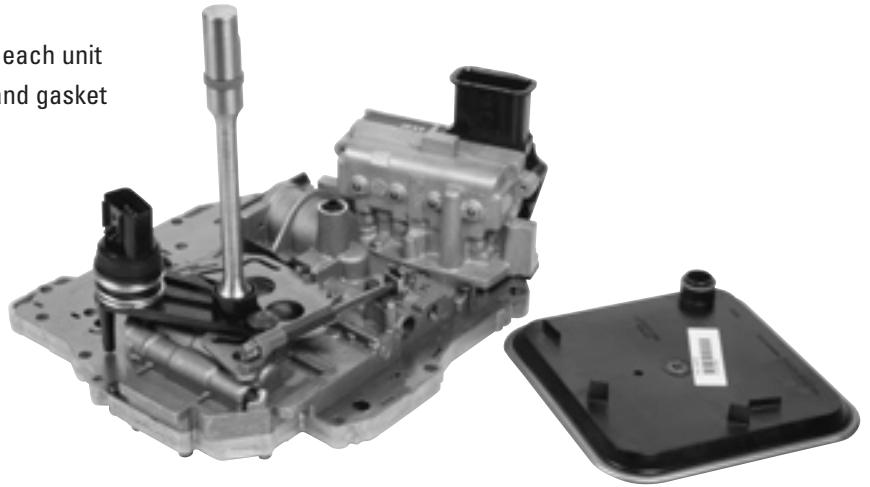
DIFFERENTIAL

MODEL YEAR	APPLICATION	KIT NO.
2002-1997	9.25" Bearing Kit	R0000925AA
2002-1997	Dana 80 Bearing Kit	R0000080AA
2002-1997	Dana 70 Bearing Kit	R0000070AA
2007-1997	Dana 60 Bearing Kit	R0000060AA
2006-1997	Dana 35 Bearing Kit	R0000035AA
2006-1997	Dana 30 Bearing Kit	R0000030AA

VALVE BODIES

PRODUCT FEATURES:

- Built to the latest engineering level
- 100% functional testing performed on each unit
- Kit comes complete with trans. filter and gasket
- New check valve, seal



PASSENGER CARS

MODEL YEAR	TYPE	DESCRIPTION	O.E. PART NO.	REMAN PART NO.
2004-1999	42LE/A606	LH	05012907AA	R5012907AB
2002-2000	31TH/A404	NS	04412408AB	RL412408AB
2002-1999	41TE/A604	All	04897890AA	R4897890AA
1998-1996	42LE/A606	LH	04864780	R4864780AB
	A604/41TE	TRS	04864781	R4864781
1998-1993	A606/42LE	All	04864780	R4864780AB
1996-1995	A604/41TE	Non TRS	04863881	R4863881

FRONT PUMPS

PRODUCT FEATURES:

- 100% functional testing performed on each unit
- Castings are fully requalified to O.E. specs
- 100% replacement of front pump bushing
- Built to the latest engineering level
- New bushing, O-ring, seal and sealing ring, gasket and input shaft ring



PASSENGER CARS

MODEL YEAR	TYPE	O.E. PART NO.	REMAN PART NO.
2004-2000	A606/42LE	05127198AA	R5127198AA
2000-1998	A604/41TE	04567869AB	R5127197AA
1999-1993	A606/42LE	05013050AA	R5013050AA
1999-1986	A404/31TH	04412525	R5016410RL
1997-1993	A606/42LE	04741659	R4741659
1997-1989	A604/41TE	04567869	R4567869

TRUCKS & JEEP®

MODEL YEAR	TYPE	O.E. PART NO.	REMAN PART NO.
2003-2000	46RE, 47RE large journal w/lockup (1.246"-1.245")	04796467AD	R4796467AD
2002-1993	32RH, 42RE, 44RE w/lockup	04778552AB	R4778552AB
	32RH, 42RH w/o lockup	04778553AB	RL778553AB
1999-1991	46RE, 47RE large journal w/lockup (1.246"-1.245")	04796467AC	R4796467AC
1996-1994	AB Body 36RH, large journal w/o lockup (1.246"-1.245")	04796469AC	R4796469AC
1993-1990	B, N, D, ZJ Bodies 46RH, small journal w/lockup (1.76"-1.75")	04728662	R4728662AB

PLANETARY GEAR ASSEMBLY

PRODUCT FEATURES:

- 100% functional testing performed on each unit
- Original equipment assembly



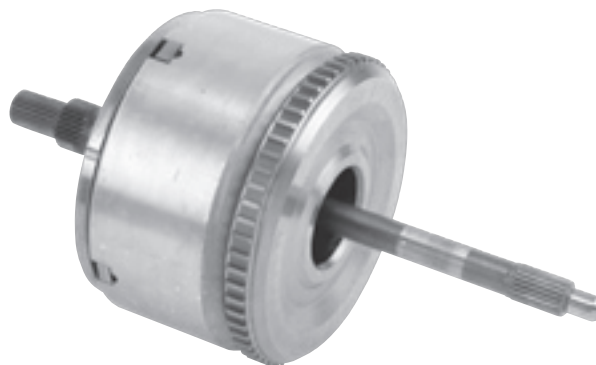
PASSENGER CARS, MINIVANS, TRUCKS AND VANS

MODEL YEAR	TYPE	DESCRIPTION	O.E. PART NO.	REMAN PART NO.
2002-1991	41TE	All	—	RL174569AA

INPUT CLUTCH ASSEMBLY

PRODUCT FEATURES:

- 100% functional testing performed on each unit
- All new frictions and steels
- Built to the latest engineering level



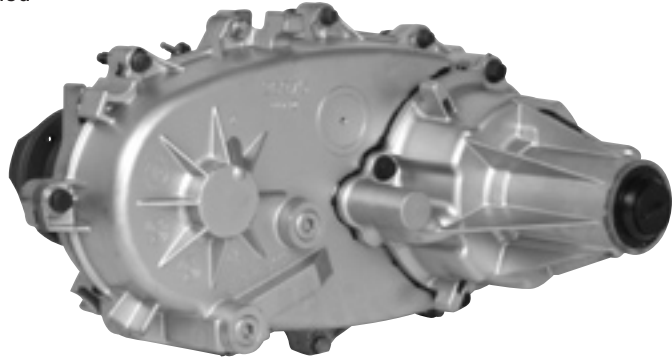
PASSENGER CARS, MINIVANS, TRUCKS AND VANS

MODEL YEAR	TYPE	DESCRIPTION	O.E. PART NO.	REMAN PART NO.
2002-1996	41TE	All	—	R5174567AA
1995-1991	41TE	All	—	R5174568AA

TRANSFER CASES

PRODUCT FEATURES:

- All remanufactured transfer cases are disassembled and thoroughly cleaned
- Each O-ring, gasket and seal is replaced with O.E. replacement parts
- Individual parts are carefully inspected to ensure that they meet O.E. standards
- Any components that fail to meet O.E. standards are replaced with O.E. replacement parts
- Each transfer case is tested to O.E. specifications on a computer-controlled dynamometer, and all remanufactured transfer cases incorporate the latest product updates



TRUCKS

MODEL YEAR	APPLICATION	TRANS.	ENGINE	TRANSFER CASE MODEL	O.E. PART NO.	REMAN PART NO.
1999-1998	AN, DN Bodies	A/T	3.9L	NP231	52105316	R2105316
	AN, DN Bodies 4x4	A/T	5.2L, 5.9L	NP231	52105674AA	R2105674AA
	BR, BE Bodies	A/T	5.2L, 5.9L, 8.0L	NP241HD	52105028	R2105028
	BR, BE Bodies	A/T	All	NP241HD	52105025	R2105025
	BR, BE Bodies	M/T	5.9L, 8.0L	NP241HD	52105027	R2105027
	BR, BE Bodies	M/T	5.2L, 5.9L	NP241HD	52105023	R2105023
	BR, BE Bodies	M/T Model 241	5.9L Diesel	NP241	52105024	R2105024
1998	AN Body	All	5.2L, 5.9L	NP242	52105332 52105332AD	R2105332
1997-1996	AN Body	A/T	3.9L	NP231	52098497 52105094 52105364 52105364AB	R2105364
	AN Body	A/T	5.2L	NP231	52098498 52105095 52105365 52105365AB	R2105365
	BR Body	A/T	All	NP241HD (23TOOTH)	52105315	R2105315
	BR Body	A/T Model 241-HD	5.9L Diesel	NP241HD (23TOOTH)	52098153 52105093	R2098153
	BR Body	M/T Model 241-HD	5.9L Diesel	NP241HD (23TOOTH)	52098512 52098534 52098678 52105092	R2098678
	BR Body	A/T	5.2L, 5.9L	NP231HD	52098357 52105367	R2105367
	BR Body	M/T	All	NP241HD (29TOOTH)	52105314	R2105314
	BR Body	M/T	All	NP241HD	52105513	R2105513

TRANSFER CASES

(CONTINUED)

TRUCKS (CONT.)

MODEL YEAR	APPLICATION	TRANS.	ENGINE	TRANSFER CASE MODEL	O.E. PART NO.	REMAN PART NO.
1997-1994	BR Body	All	5.2L, 5.9L	NP231HD	52097521 52098314 52098502 52105366	R2105366
1995-1993	AN Body	All	3.9L, 5.2L	NP231HD	52098023 52098024 52098542 52098543	R2098543
1992-1988	AN Body	All	3.9L, 5.2L	NP231HD	52097606 52097607 53005467 53006099 53007979 53008206	R2097607

JEEP®

MODEL YEAR	APPLICATION	TRANS.	ENGINE	TRANSFER CASE MODEL	O.E. PART NO.	REMAN PART NO.
2004-1999	WJ Body	A/T	4.0L	NP247	52098871AD	R2098871AD
2002	KJ Body	All	All	NP231	52099421AD	R2099421AD
2002-2001	WJ Body	A/T	4.7L	NP247	52105905AB	R2105905AB
2002-2000	TJ Body	M/T	4.0L	NP231	52111252AD	R2111252AD
2001-1999	XJ Body	A/T	4.0L	NP242	52098899AC	R2098899AC
	WJ Body	A/T	4.0L	NP242	52098875AC	R2098875AC
2000-1999	WJ Body	A/T	4.7L	NP247	52098872AB	R2098872AD
2000-1996	TJ, XJ Bodies	M/T	2.5L	NP231	52099310AB	R2099310AB
1998-1996	XJ Body	A/T	4.0L	NP242	52098899	R2098899
	XJ Body	A/T	4.0L	NP242	52111083	R2111083
	XJ Body	All	2.5L Turbo Diesel	NP231	52098480 52099212	R2099212
	XJ, TJ Bodies	M/T	2.5L	NP231	52098471 52099310 52099364	R2099310
	XJ, TJ Bodies	A/T	2.5L	NP231	52098473 52099211	R2099211
	ZG Body	All	4.0L	NP231	52098469 52099120	R2099120
	ZG Body	All	2.5L Diesel	NP231	52098469 52099120	R2099120
	ZJ Body	A/T	5.2L	NP249	52098267	R2098916
	ZJ Body	A/T	4.0L	NP242	52098383 52098917	R2098917
1996	XJ Body	A/T	4.0L	NP242	52098385	R2098385
	ZJ Body	A/T	4.0L	NP242	52098384	R2098384
1995-1993	XJ Body	AT	4.0L	NP231 (23TOOTH)	52097890 52098487	R2098487
	XJ Body	A/T	4.0L	NP242	52098046 52098315 53007856	R2098315
	YJ Body	M/T	2.5L	NP231	52097894 52098361	R2098361

TRANSFER CASES

(CONTINUED)

JEEP® (CONT.)

MODEL YEAR	APPLICATION	TRANS.	ENGINE	TRANSFER CASE MODEL	O.E. PART NO.	REMAN PART NO.
1995-1993 (cont.)	YJ Body	M/T	4.0L	NP231	52097695 52098362	R2098362
	ZJ Body	A/T	4.0L	NP231	52097526 52098319	R2098319
	ZJ Body	A/T	4.0L	NP249	52097530	R2098532
	ZJ Body	A/T	4.0L	NP242	52097528 52098531	R2098531
1995	ZJ Body	A/T	5.2L	NP249	52098682	R2098682
1995-1992	ZJ Body	All	4.0L	NP231	52097534 52097696 52098318	R2098318
1995-1991	XJ Body	M/T	2.1L Diesel	NP231	52094533 52097888 82098486	R2098486
	YJ Body	A/T	2.5L, 4.0L	NP231	52097893 52098563	R2098563
1994-1993	ZJ Body	A/T	4.0L, 5.2L	NP249	52097529	R2098539
1993-1989	YJ Body	M/T	2.5L	NP231	53006095 53008211	R3008211
	YJ Body	M/T	4.0L	NP231	53005382 53006096 53008212	R3008212
1990-1987	MJ, XJ Bodies	M/T	4.0L	NP231	53004301 53006092 53008208	R3008208

AUTHENTIC PERFORMANCE™



GLOBAL CORE RETURN SYSTEM

CORE ACCEPTANCE STANDARDS

POWERTRAIN CONTROL MODULE

TRANSMISSION

TRANSMISSION SUBASSEMBLY

STARTER & ALTERNATOR

POWER STEERING/RACK & PINION

FUEL PUMP

GAS ENGINE

SPRINTER ENGINE

BRAKE CALIPER

TORQUE CONVERTER
