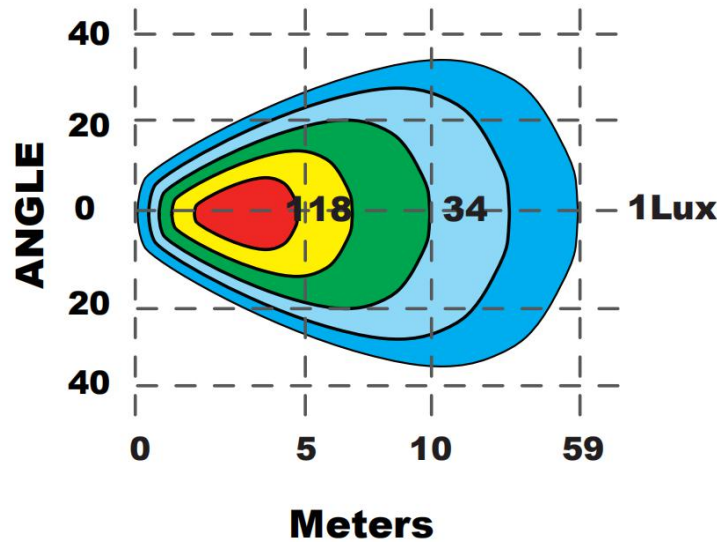
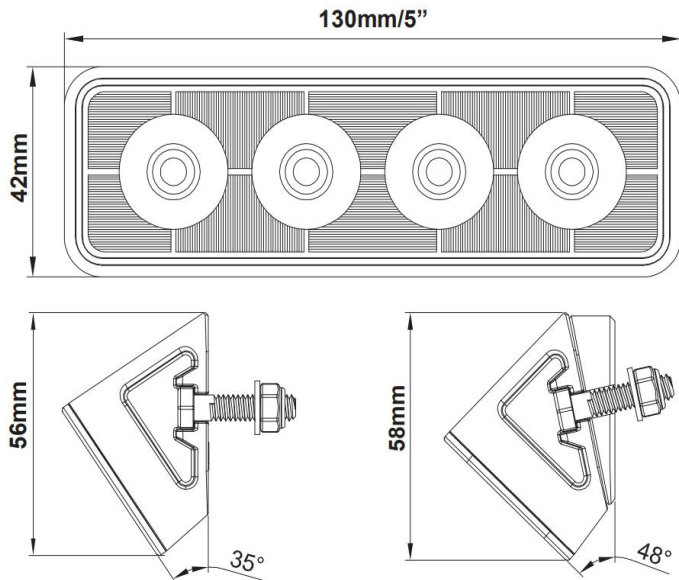
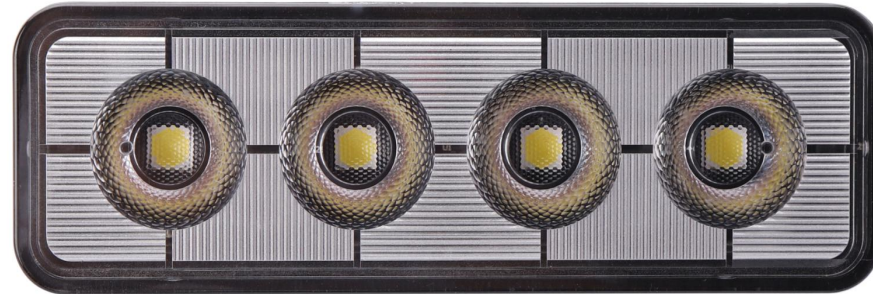


# ORACLE LIGHTING



## Materials:

- 4pcs\*6W LED(LUMILEDS)
- Color Temperature: 5700K
- ADC12 Housing
- Lexan Polycarbonate(PC) Front Cover
- Anodized Polyester Powdercoat

## Features:

- Flood Beam(70°)
- Multi-Surface TIR LENS
- Anti Rust / Corrosion / Freezing Resistance
- Electronic Thermal Management **(ETM)**
- Surface Mount(35°&48°)
- ECE R23/ R10 ,CE,CISPR25
- Over / Under Voltage Protection
- Reverse Polarity Protection
- UV Resistant, ShockResistant
- **IP68/69K Waterproof Breather**
- 50,000+ Hr LED Lifespan
- 1 Year Warranty

Part NO.	LEDs	Dimensions (mm)	Beam pattern	AMP Draw (12V/24V/)	Luminous Flux (lm)	Peak Beam Intensity(cd)	Operating conditions:
	4pcs*6W	130*42*42mm	Flood Beam	1.6A / 0.8A	Raw lumens:2800LM Effective lumens::2200LM	3400	· Voltage: DC9-36V · Environment temperature -40~+60 ° C