

# ORACLE<sup>®</sup>



## LIGHTING

2007-2017 JEEP WRANGLER

# VECTOR GRILL

# INSTALLATION GUIDE

## PRE-FLIGHT:

Before you begin installation familiarize yourself with the items included in the package.



The LED Driver controls the DRL and Turn Signal function. When connecting be sure to check polarity, if plug is reversed the driver will not function properly.

Dielectric grease keeps moisture out of electrical connections (very important for off-road vehicles) Apply during Step #9 and Step #10 in the guide.



WATCH THE OPEN BOX VIDEO FOR MORE INFO!

[vimeo VIMEO.COM/253869166](https://vimeo.com/253869166)

## BEFORE YOU BEGIN:

### ADJUST THE LOW BEAM MODULES:

- 1) Start by tightening the (4) Phillips screws that hold the low beams in place. You will notice there is a insulator that compresses and allows the angle to be adjusted. (Fig.1)
- 2) Tighten the screws until the body of the lamp is even with the vertical surface of the grill, this will be an indicator that the lamp is level. (Fig.2)
- 3) With all the screws tightened you can install the grill and test the light against a wall.  
To aim the beam lower- loosen the bottom screws a 1/2 turn to aim downwards until level.

**Note:** If these steps are not followed the low beam module may interfere with with the vertical frame support.

FIG.1

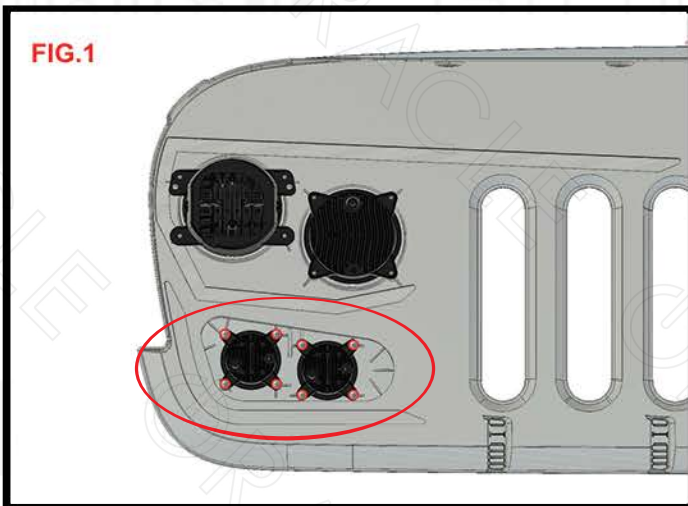
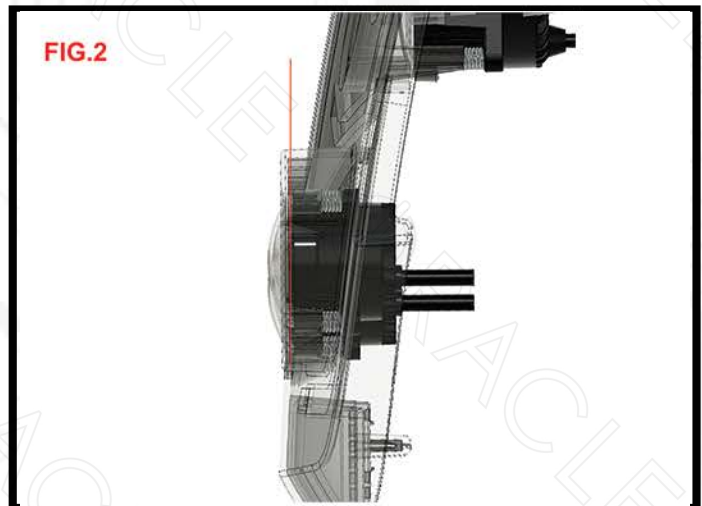


FIG.2



# VECTOR GRILL

## INSTALLATION GUIDE

### TOOLS NEEDED:

- Flat-head Screwdriver
- T-15 Torx Screwdriver
- 15mm Deep Socket

## Step 1:

### INSTALLATION VIDEOS:

DIY TUTORIAL



[vimeo.com/243023048](https://vimeo.com/243023048)

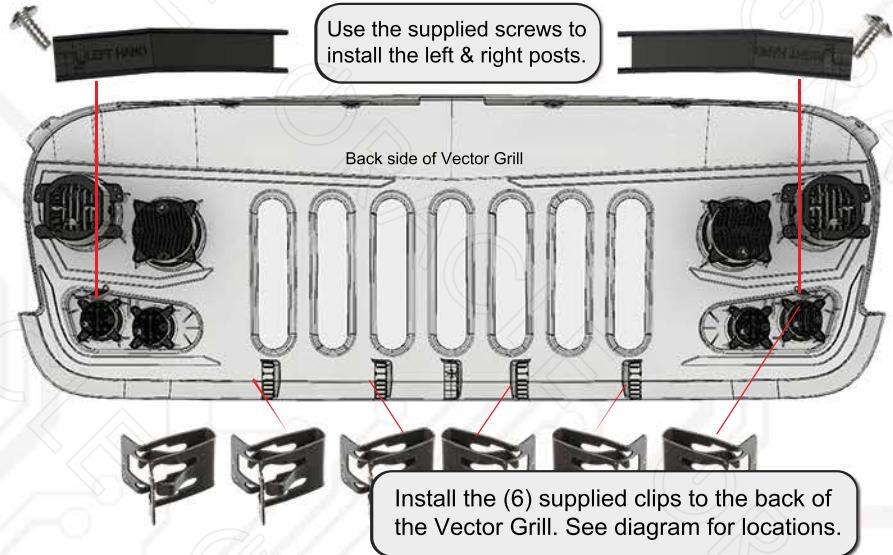
OPEN BOX



[vimeo.com/253869166](https://vimeo.com/253869166)

### PAINTING YOUR GRILL?

WATCH THIS FIRST: [vimeo.com/253869166](https://vimeo.com/253869166)



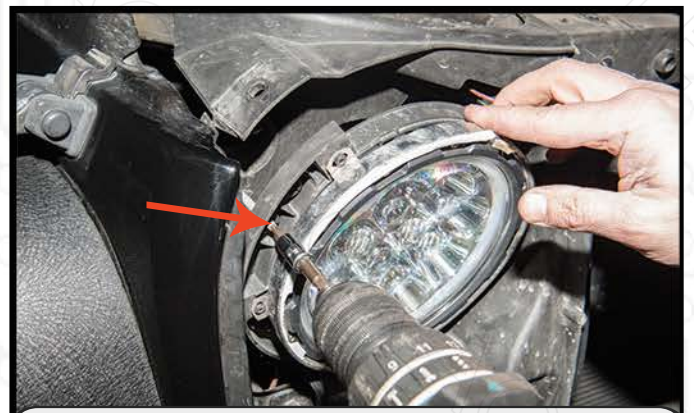
**2** Use a flat head screwdriver or panel tool to remove the 6 clips holding the OEM grill in place.



**3** Twist and unplug the turn signal sockets from the OEM grill. Remove the turn signal bulbs.



**4** Start from the bottom and pull back on the OEM grill to release it from its fasteners.



**5** Once the OEM grill is removed, use a T15 torx to remove the headlight adjuster.

QUESTIONS? [www.OracleLights.com/VectorFAQ](http://www.OracleLights.com/VectorFAQ)



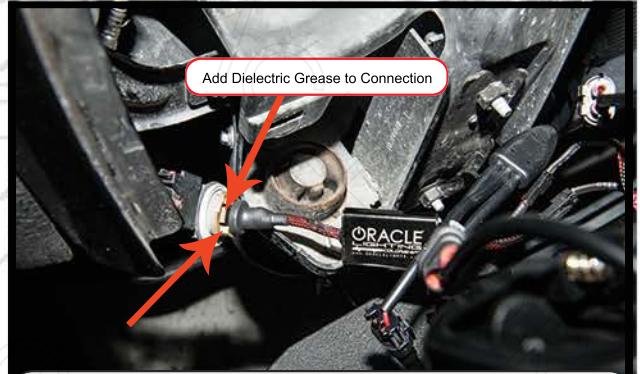
**6** Once the adjuster is removed, the headlight and bracket can now be separated from the vehicle.



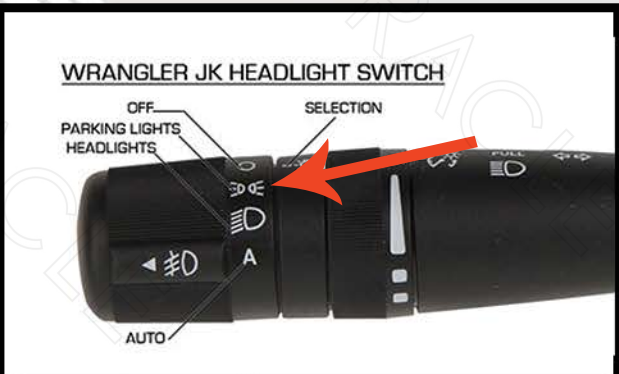
**7** Unplug the OEM headlight adapter from the factory wiring harness.



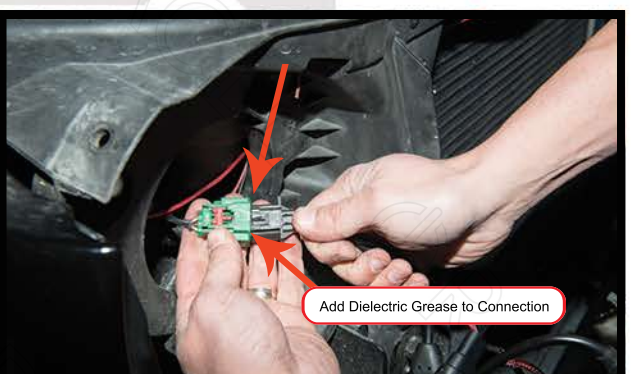
**8** Use a 15mm Socket to remove the two headlight posts. Refer to picture above for the locations.



**9** Plug the Vector Grill fog light adapter into the OEM turn signal socket.



**10** Now switch on the Parking Lights and CHECK to be sure the DRL Tuns on if not unplug Step 9 and revers the plug direction and test again.



**10** Locate the H13 headlight socket, and plug the Vector Grill headlight adapter into the socket. Check your connector: <https://bit.ly/2xaSeNN>



**11** There is a pin in the center of the grill. Make sure that is lined up first, then apply pressure to the bottom of the grill to snap in place.



**12** Once the Vector Grill snaps in place, re-install the clips on the top of the grill. Apply the rubber gasket across the top of the Grill and enjoy!

**QUESTIONS?** [www.OracleLights.com/VectorFAQ](http://www.OracleLights.com/VectorFAQ)