

ORACLE® 2015 FORD F-150 DRL FLEX STRIP INSTALL

TOOLS NEEDED: Drill • 1/8" Drill Bit • 5 Minute Epoxy • Flat-head Screwdriver • Exterior Grade Silicone

INSTALLATION INSTRUCTIONS



1

USING THE HEATING METHOD:
IF USING A HEAT GUN BEGIN BY HEATING THE SEAL EVENLY WHILE CONSTANTLY MOVING THE HEAT GUN.

USING AN OVEN:
PREHEAT TO 225°F AND PLACE THE LIGHT IN THE OVEN FOR 10 MINUTES.

Once heated, begin separating the headlight lens and the headlight housing using a screwdriver. Work around the headlight prying the heated sealant until the two pieces begin to separate. This step is somewhat tedious, take your time. If the headlight is not separating easily, place it back in the oven for another five minutes and then continue the process of prying through the sealant.

Once you have separated the lens and chrome bezel from the headlight housing, you can begin removing the chrome bezel from the lens. Remove the (5) T10 Torx Screws. Locations are marked on the right.

2



3



- Begin by installing 9 of the clips supplied with your kit.
- Use a two-part epoxy to secure each clip to the bezel. We recommend using LOCTITE 5 minute epoxy.
- The location of each clip is marked by the arrows in the image to the right.
- Take your time on this step. Once you have installed all of the clips you can move onto the next step.

• When all the clips have been completely secured to the headlight bezel, you may use a 1/8" drill bit and a drill to make a routing point for your wires. The location of the drill point is marked by the arrow in the image to the right.

• Insert your wires through the routing point.

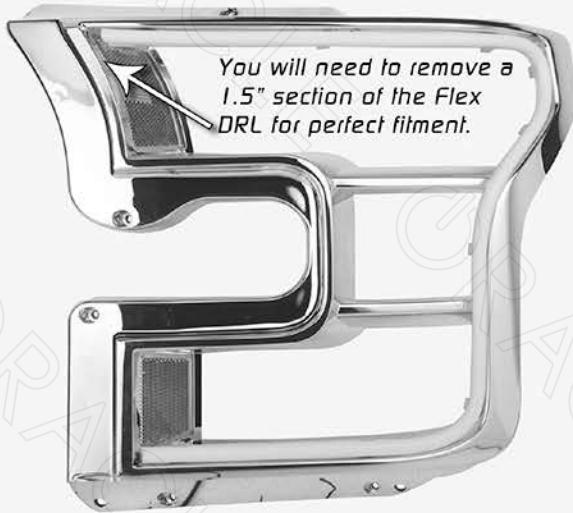
• Next, carefully place your Flex DRL Strip into each clip. There is a channel that runs along the backside of the strip which allows the strip to snap into each clip. See close-up image.

4



FOR TECH SUPPORT PLEASE CALL 1-800-407-5776

ORACLE® 2015 FORD F-150 DRL FLEX STRIP INSTALL



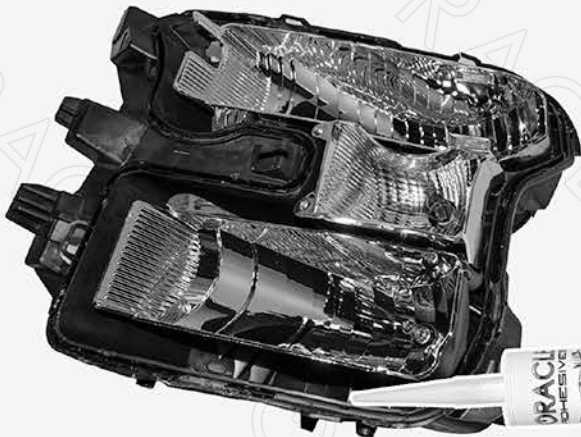
5

- We stress that you should be very careful when installing your Flex DRL Strip. You do not want to break/snap/or detach a clip after each one has already been epoxied.
- Once the strip is installed, you will want to route the wires around the reflector and out the back of the headlight.
- Repeat the process for the other headlight. You may wire your Flex DRL Strip to the parking lights or to an external controller.

ROUTING THE WIRES:

You can now route the negative and positive wires out the headlight through one of the venting areas on the back of the headlight. This image shows the wires running through the venting material. You may also drill a small hole in the back of the headlight and route the wires that way. If you do drill any holes be sure to seal them with proper exterior grade silicone.

6



7

RE-SEALING THE HEADLIGHT:

Using ORACLE Headlight Sealant or an equivalent exterior grade silicone:

- Form a solid bead of silicone between the headlight lens and the headlight housing.
- Compress the lens and headlight housing together.
- Wipe away any excess silicone from the headlight.
- Allow enough time for the silicone to cure.

8

CLAMPING THE HEADLIGHT:

Each headlight is different. If you do not like using clamps to hold the light for curing you may also try vise-grips, ratchet straps, or any other means to hold the lens and the housing together.



WIRING THE HEADLIGHTS:

Option #1- Connect to the parking lights.
This is great if you want to turn on and off your DRLS by using the factory headlight switch. (DRLS will stay on with the headlights).

Option #2- Wireless Controller.
Visit www.AutomotiveLightStore.com/remotesandswitches.aspx to see the selection of controllers.

Option #3- Toggle Switch.
Visit www.AutomotiveLightStore.com/halowiringfaq.aspx to see diagrams.

By purchasing any item sold by ORACLE Lighting, the buyer expressly warrants that he/she is in compliance with all applicable Federal, State, and Local laws and regulations regarding the purchase, ownership, and use of the item. It shall be the buyers responsibility to comply with all Federal, State, and Local laws governing the sales of any items listed, illustrated, or sold. The buyer expressly agrees to indemnify and hold harmless ORACLE Lighting for all claims resulting directly or indirectly from the purchase, ownership, or use of the items.

FOR TECH SUPPORT PLEASE CALL 1-800-407-5776