

ORACLE[®] LIGHTING

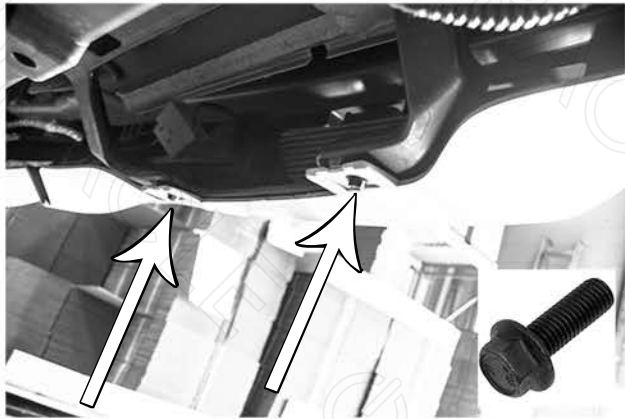


2015+ FORD MUSTANG LED REVERSE LIGHT INSTALLATION

TOOLS NEEDED: 9/32" Nut Driver -OR- 1/4" Drive Ratchet, Extension, 9/32" Socket



INSTALLATION INSTRUCTIONS



- 1** You do not need to lift the vehicle to install this product. If you decide to lift the vehicle to get better access be sure to use jack stands, wheel chocks, & proper safety protocol.

Begin by removing the (2) 9/32" screws located on the bottom of the rear bumper directly under the reverse light.

The location of bolts is marked in the picture to the left.



Next, disconnect the factory bulb by pressing the tab to release and unplug the bulb from the harness.

There is also a clip that fastens the factory wiring/ harness to the reverse light. Pull back to disconnect the clip.

Use the picture to the right for reference.

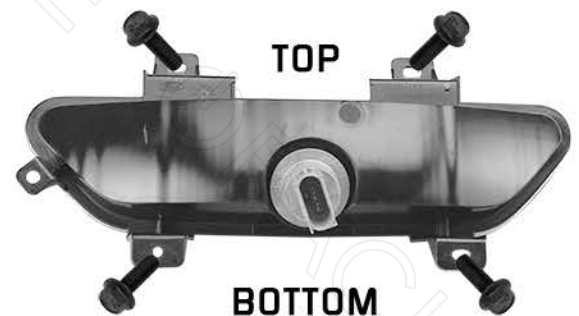


- 3** There are (4) 9/32" bolts that fasten the factory reverse light to the rear bumper cover.

The bottom two will be easy to locate. Remove these (2) Screws and set to the side.

To access the (2) Top 9/32" Screws Pull down on the bumper cover to make locating the screws easier. Now remove these (2) screws and set to the side.

- 4** With the factory reverse light housing now removed, you can install your ORACLE LED Reverse Light. Complete steps above in reverse order, by replacing the (6) 9/32" screws and securing them in place. Plug in the ORACLE LED Reverse light into the factory harness with the supplied connector.



Questions? Contact ORACLE Tech Support at 1-800-407-5776 or Email info@oraclelights.com